

DALI LS PD MULTI3 CI

Ceiling Mounted Light and Presence Sensor and DALI Coupler

Date: _____

Quantity: _____

Company: _____

Project: _____



The **DALI LS PD MULTI3 CI** is a compact ceiling mounted sensor with a moveable sensor head that is designed to incorporate light and presence sensing control of your DALI luminaires into the Encelium X Lighting Control System.

The **DALI LS PD MULTI3 CI** includes both a light and a presence sensor and is used with a **DALI Multi3 Coupler** to connect to the DALI bus. A separate surface mount kit (**SENSOR KIT**) is also available if required.

Works with

- Encelium X
 - ▶ DALI Wired



Key Features & Benefits

- Designed for ceiling mounted applications
- Works with the Encelium DALI Manager to connect the light and presence sensor to a DALI system
- Can be surface mounted with the **SENSOR KIT** accessory.

DALI MULTI3 Coupler Specifications

SENSING AND CONTROL

Sensing

- Works with LS PD MULTI3 CI Light and Presence Sensor

Control

- DALI Communication

ELECTRICAL

Power Consumption

- 6 mA – DALI

ENVIRONMENTAL

Operating Temperature

- -20° to 50°C (-4° to 122°F)

PHYSICAL

Dimensions (H x W x D)

- 21 x 118 x 30 mm (0.83 x 4.6 x 1.18 inches)

Weight

- 35g (1.2 oz)

Housing Color

- Light Grey

Housing Material

- Plastic

Mounting Options

- Luminaire Integration
- Independent Ceiling Integration is optional and requires the purchase of ECO CI KIT

WARRANTY

- Standard warranty is in effect for a period of five (5) years from the date of shipment.¹

CERTIFICATIONS & SAFETY

Approbations

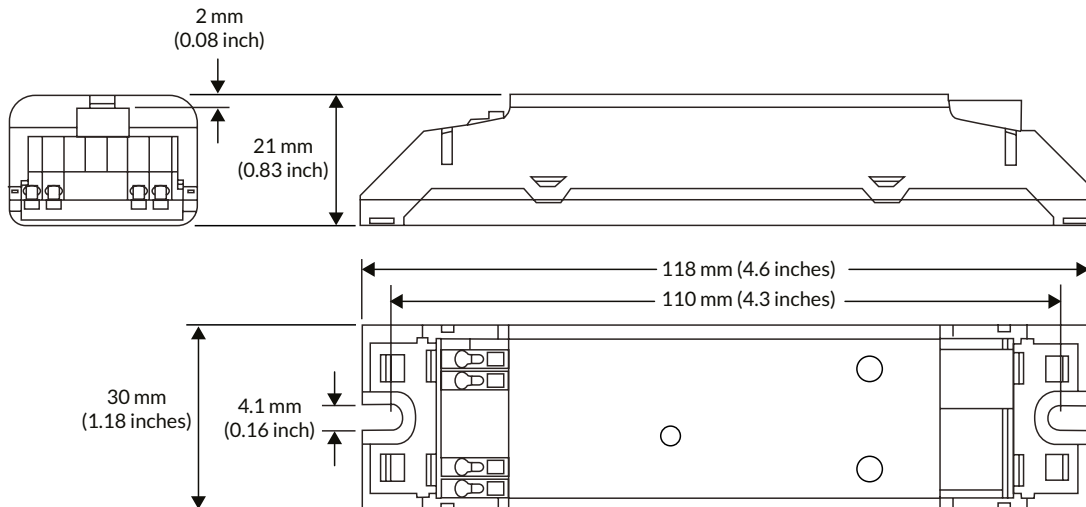
- CE

Environmental Suitability

- IP20



Dimensions



Footnotes:

¹ This does not apply to: (1) damage caused by accident, mishandling, or dropping; (2) materials which have been subject to unauthorized repair; (3) materials not used in accordance with instructions; (4) ordinary wear and tear.

DALI LS PD MULTI3 CI Sensor Specifications

SENSING AND CONTROL

Sensing

- Daylight and occupancy sensing

PHYSICAL

Dimensions (H x W x D)

- 19 x 40 x Ø50 mm (0.75 x 1.57 x Ø1.97 inches)

Weight

- 30g (1.1 oz)

Housing Material

- Plastic

Mounting Options

- Ceiling Mounted

WARRANTY

- Standard warranty is in effect for a period of five (5) years from the date of shipment.¹

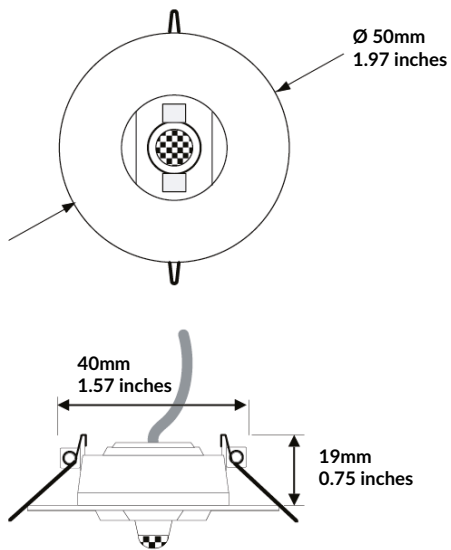
CERTIFICATIONS & SAFETY

Approbations

- CE



Dimensions



Footnotes:

¹ This does not apply to: (1) damage caused by accident, mishandling, or dropping; (2) materials which have been subject to unauthorized repair; (3) materials not used in accordance with instructions; (4) ordinary wear and tear.

ECO CI KIT Specifications

PHYSICAL

Dimensions (H x W x D)

- ECO CI KIT installed on DALI HF LS LI Coupler
23 x 33 x 146 mm (0.9 x 1.3 x 5.7 inches)

Weight

- 20 g (0.7 oz)

Housing Color

- Green

Housing Material

- Plastic

Mounting Options

- Independent Ceiling Integration strain relief housing kit for WLC, DALI HF LS LI Coupler, and DALI Sensor Coupler E

WARRANTY

- Standard warranty is in effect for a period of five (5) years from the date of shipment.¹

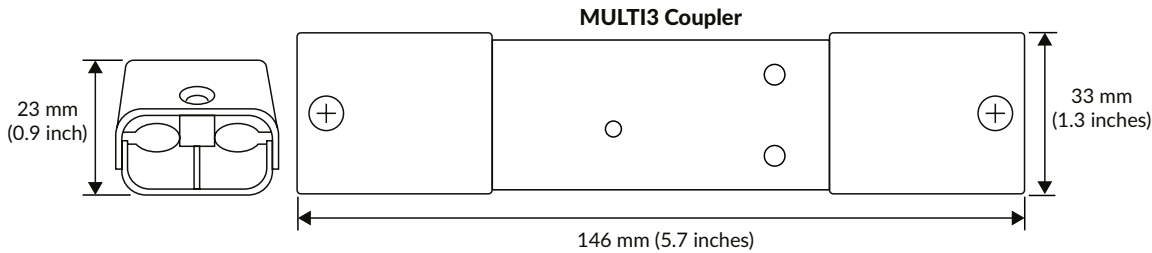
CERTIFICATIONS & SAFETY

Approbations

- CE



Dimensions



Ordering Information

Catalog Number	Description	Approbation	Communication Network
DALICPL-MULTI3G2	DALI MULTI3 Coupler	CE	DALI
LSPD-MULTI-CI	LS PD MULTI3 CI Sensor	CE	—
SENSOR-KIT	LS PD MULTI3 CI Surface Mount Kit	CE	—
ECO-CI-KIT	ECO CI KIT	CE	—

Notes:

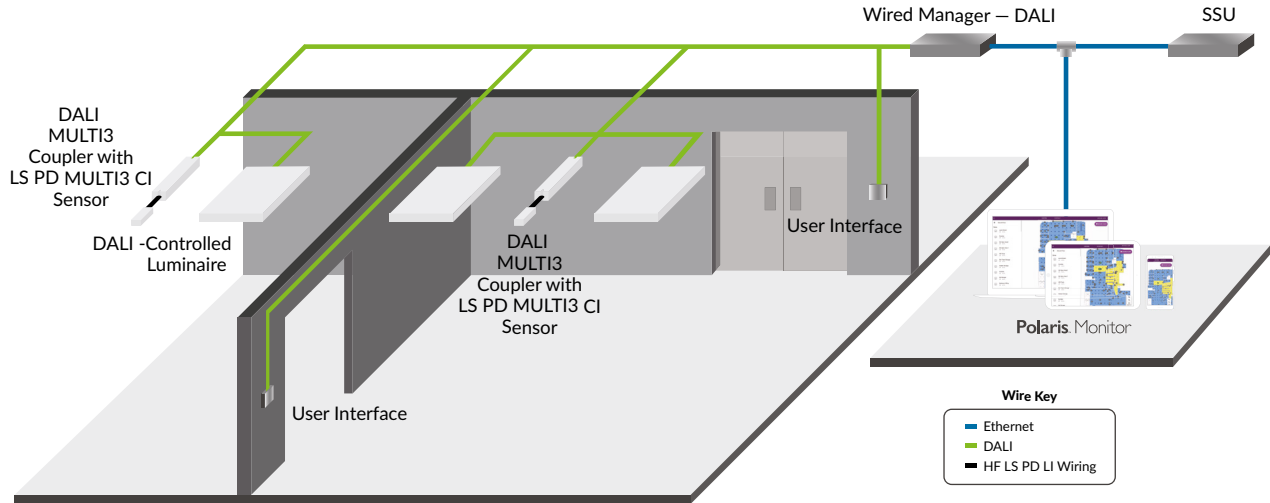
- The MULTI3 Coupler requires one sensor per coupler.
- The LS PD MULTI3 CI and ECO CI KIT are sold separately. The ECO CI KIT is required for independent ceiling mount installations only.

Footnotes:

¹ This does not apply to: (1) damage caused by accident, mishandling, or dropping; (2) materials which have been subject to unauthorized repair; (3) materials not used in accordance with instructions; (4) ordinary wear and tear.

Wired System Overview

Encelium Extend enables you to control DALI devices. With any Encelium wired design, you get a reliable, lighting control system that can be installed quickly and easily.



Mounting Options

