

DALI LS PD MULTI3 CI

Ceiling Mounted Light and Presence Sensor and DALI Coupler

Date: _____

Quantity: _____

Company: _____

Project: _____



The **DALI LS PD MULTI3 CI** is a compact ceiling mounted sensor with a moveable sensor head that is designed to incorporate light and presence sensing control of your DALI luminaires into the Encelium X Lighting Control System.

The **DALI LS PD MULTI3 CI** includes both a light and a presence sensor and is used with a **DALI Multi3 Coupler** to connect to the DALI bus. A separate surface mount kit (**SENSOR KIT**) is also available if required.

Works with

- Encelium X
 - ▶ DALI Wired



Key Features & Benefits

- Designed for ceiling mounted applications
- Works with the Encelium DALI Manager to connect the light and presence sensor to a DALI system
- Can be surface mounted with the **SENSOR KIT** accessory.

DALI MULTI3 Coupler Specifications

SENSING AND CONTROL

Sensing

- Works with LS PD MULTI3 CI Light and Presence Sensor

Control

- DALI Communication

ELECTRICAL

Power Consumption

- 6 mA – DALI

ENVIRONMENTAL

Operating Temperature

- -20° to 50°C (-4° to 122°F)

PHYSICAL

Dimensions (H x W x D)

- 21 x 118 x 30 mm (0.83 x 4.6 x 1.18 inches)

Weight

- 35g (1.2 oz)

Housing Color

- Light Grey

Housing Material

- Plastic

Mounting Options

- Luminaire Integration
- Independent Ceiling Integration is optional and requires the purchase of ECO CI KIT

WARRANTY

- For warranty details, refer to the full warranty documentation at encelium.com

CERTIFICATIONS & SAFETY

Approbations

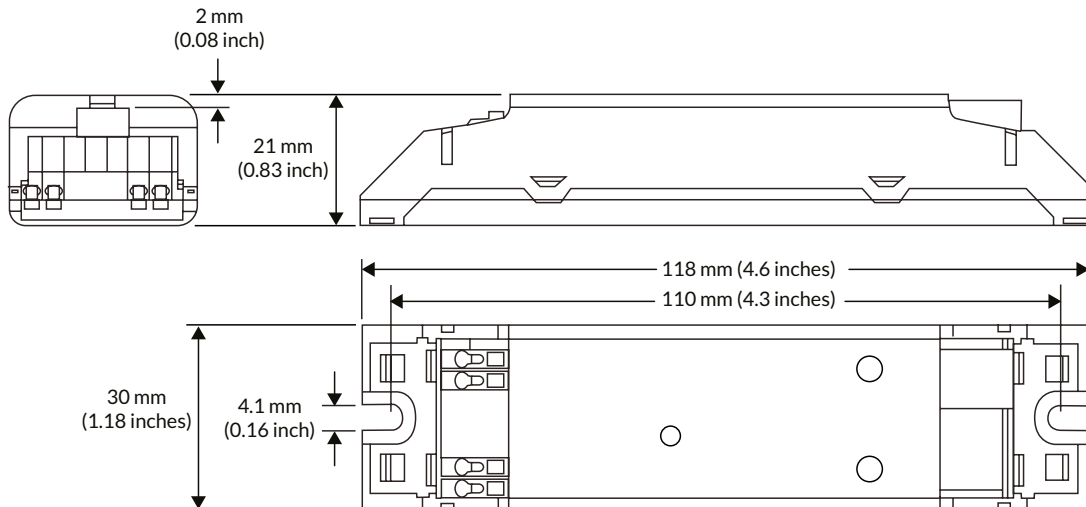
- CE

Environmental Suitability

- IP20



Dimensions



DALI LS PD MULTI3 CI Sensor Specifications

SENSING AND CONTROL

Sensing

- Daylight and occupancy sensing

PHYSICAL

Dimensions (H x W x D)

- 19 x 40 x Ø50 mm (0.75 x 1.57 x Ø1.97 inches)

Weight

- 30g (1.1 oz)

Housing Material

- Plastic

Mounting Options

- Ceiling Mounted

WARRANTY

- For warranty details, refer to the full warranty documentation at encelium.com

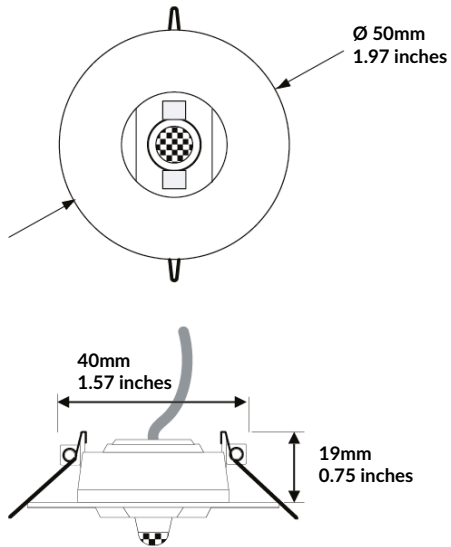
CERTIFICATIONS & SAFETY

Approbations

- CE



Dimensions



ECO CI KIT Specifications

PHYSICAL

Dimensions (H x W x D)

- ECO CI KIT installed on DALI HF LS LI Coupler
23 x 33 x 146 mm (0.9 x 1.3 x 5.7 inches)

Weight

- 20 g (0.7 oz)

Housing Color

- Green

Housing Material

- Plastic

Mounting Options

- Independent Ceiling Integration strain relief housing kit for WLC, DALI HF LS LI Coupler, and DALI Sensor Coupler E

WARRANTY

- For warranty details, refer to the full warranty documentation at encelium.com

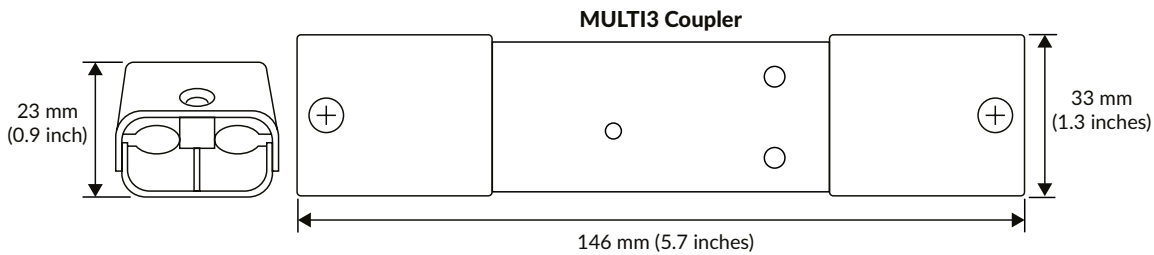
CERTIFICATIONS & SAFETY

Approbations

- CE



Dimensions



Ordering Information

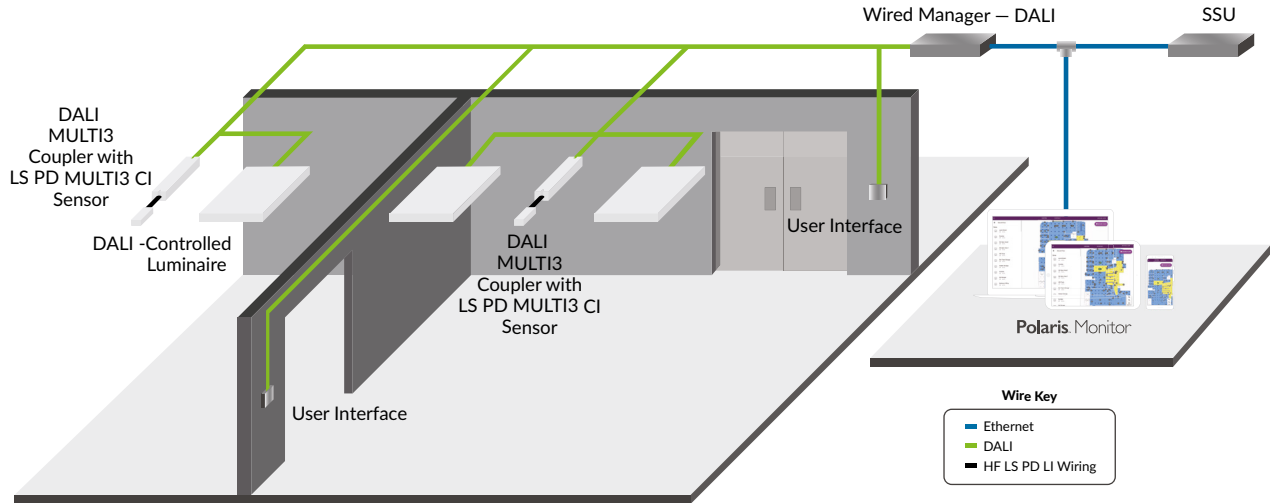
Catalog Number	Description	Approbation	Communication Network
DALICPL-MULTI3G2	DALI MULTI3 Coupler	CE	DALI
LSPD-MULTI-CI	LS PD MULTI3 CI Sensor	CE	—
SENSOR-KIT	LS PD MULTI3 CI Surface Mount Kit	CE	—
ECO-CI-KIT	ECO CI KIT	CE	—

Notes:

- The MULTI3 Coupler requires one sensor per coupler.
- The LS PD MULTI3 CI and ECO CI KIT are sold separately. The ECO CI KIT is required for independent ceiling mount installations only.

Wired System Overview

Encelium Extend enables you to control DALI devices. With any Encelium wired design, you get a reliable, lighting control system that can be installed quickly and easily.



Mounting Options

