

DP-EBDSPIR-DALI2

DALI 2 Presence Detector

Date: _____

Quantity: _____

Company: _____

Project: _____



The DP-EBDSPIR-DALI2 is a flush mounted, ceiling sensor. This sensor is fully DALI 2 certified and can be used as both a presence detector as well as a light level sensor.

Works with

- Encelium X
 - ▶ DALI Wired



Key Features & Benefits

- DALI-2 certified
- Fully compliant to IEC 62386-303 (Occupancy detector) and IEC62386-304 (Light Level detection)
- Wide detection using a standard flat lens. Ideal for standard applications.
- Fully compatible with the Encelium X DALI Manager (EN-M-DALI-X)
- IP40 rated

Specifications

SENSING AND CONTROL

Control

- DALI Communication

ELECTRICAL

Power

- 9.5–22.5 VDC DALI bus

Nominal Current Consumption

- 8mA

Max (Peak) Current Consumption

- 18mA

Terminal capacity

- 2.5mm²

Rated impulse voltage

- 2500V

ENVIRONMENTAL

Operating Temperature

- -10°C to +35°C

Relative Humidity

- 5% to 95%, non-condensing

Dimensions (H x W)

- 69 X 76 mm (2.7 X 3 inches)

Weight

- 150 g (5.3 oz)

Housing Color

- White

Housing Material

- Flame retardant ABS and PC/ABS

Mounting Option

- Ceiling Mount, flush mounted

WARRANTY

- Standard warranty is in effect for a period of five (5) years from the date of shipment.¹

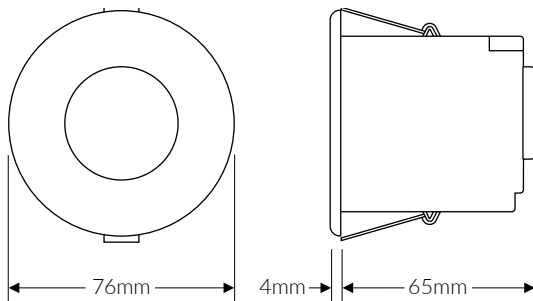
CERTIFICATIONS & SAFETY

Approbations

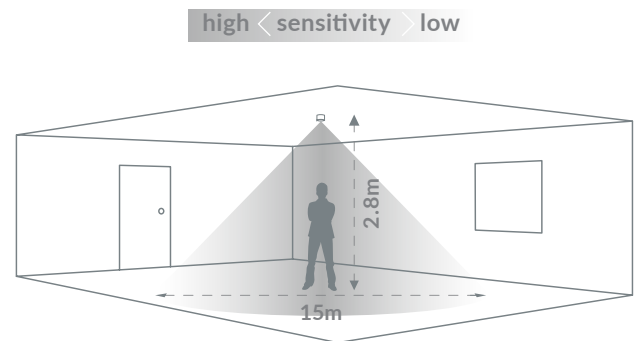
- CE
- UKCA
- DALI 2 - IEC62386 Parts 101,103, 303 & 304



Dimensions



Detection Pattern



Ordering Information

Catalog Number	Description	Approbation	Communication Network
DP-EBDSPIR-DALI2	DALI 2 Presence Detector	CE, UKCA, DALI 2	Wired

ACCESSORIES

Catalog Number	Description
OP-EBDBB	Surface Mounting Box

Footnotes:

¹ This does not apply to: (1) damage caused by accident, mishandling, or dropping; (2) materials which have been subject to unauthorized repair; (3) materials not used in accordance with instructions; (4) ordinary wear and tear.