

# DP-EBDSPIR-DALI2

## DALI 2 Presence Detector

Date: \_\_\_\_\_

Quantity: \_\_\_\_\_

Company: \_\_\_\_\_

Project: \_\_\_\_\_



The DP-EBDSPIR-DALI2 is a flush mounted, ceiling sensor. This sensor is fully DALI 2 certified and can be used as both a presence detector as well as a light level sensor.

### Works with

- Encelium X
  - ▶ DALI Wired



### Key Features & Benefits

- DALI-2 certified
- Fully compliant to IEC 62386-303 (Occupancy detector) and IEC62386-304 (Light Level detection)
- Wide detection using a standard flat lens. Ideal for standard applications.
- Fully compatible with the Encelium X DALI Manager (EN-M-DALI-X)
- IP40 rated

## Specifications

### SENSING AND CONTROL

#### Control

- DALI Communication

### ELECTRICAL

#### Power

- 9.5–22.5 VDC DALI bus

#### Nominal Current Consumption

- 8mA

#### Max (Peak) Current Consumption

- 18mA

#### Terminal capacity

- 2.5mm<sup>2</sup>

#### Rated impulse voltage

- 2500V

### ENVIRONMENTAL

#### Operating Temperature

- -10°C to +35°C

#### Relative Humidity

- 5% to 95%, non-condensing

#### Dimensions (H x W)

- 69 X 76 mm (2.7 X 3 inches)

#### Weight

- 150 g (5.3 oz)

#### Housing Color

- White

#### Housing Material

- Flame retardant ABS and PC/ABS

#### Mounting Option

- Ceiling Mount, flush mounted

### WARRANTY

- For warranty details, refer to the full warranty documentation at [encelium.com](http://encelium.com)

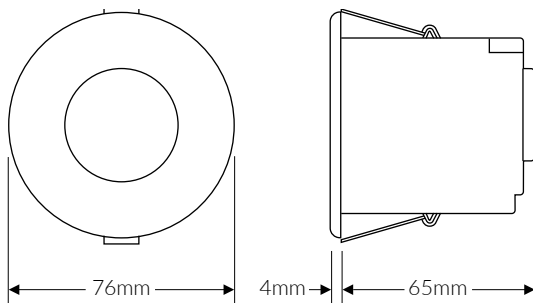
### CERTIFICATIONS & SAFETY

#### Approbations

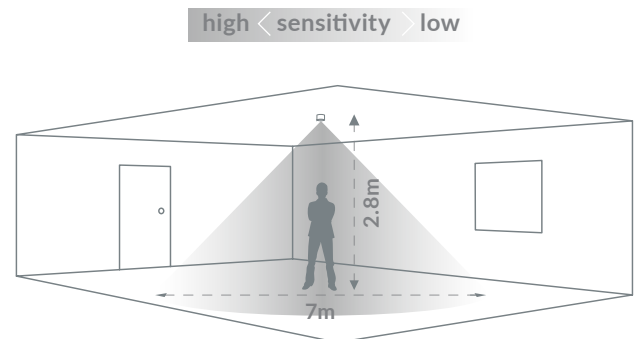
- CE
- UKCA
- DALI 2 - IEC62386 Parts 101,103, 303 & 304



## Dimensions



## Detection Pattern



## Ordering Information

Catalog Number	Description	Approbation	Communication Network
DP-EBDSPIR-DALI2	DALI 2 Presence Detector	CE, UKCA, DALI 2	Wired

## ACCESSORIES

Catalog Number	Description
OP-EBDBB	Surface Mounting Box