

PRODUCT SAFETY

When using electrical equipment, basic safety precautions should always be followed, including the following:



READ THESE INSTRUCTIONS BEFORE USING THIS PRODUCT.



Do not let power supply cords touch hot surfaces.



Do not mount near gas or electric heaters.



Do not use the unit near water.



Do not allow objects to fall or liquids to be spilled into the enclosure through openings.



Equipment should be mounted in locations and at heights where it will not readily be subjected to tampering by unauthorized personnel.



The use of accessory equipment is not recommended by Encelium as it may cause an unsafe condition.



Do not use this equipment for other than the intended use.



SAVE THESE INSTRUCTIONS.

GETTING STARTED

Overview

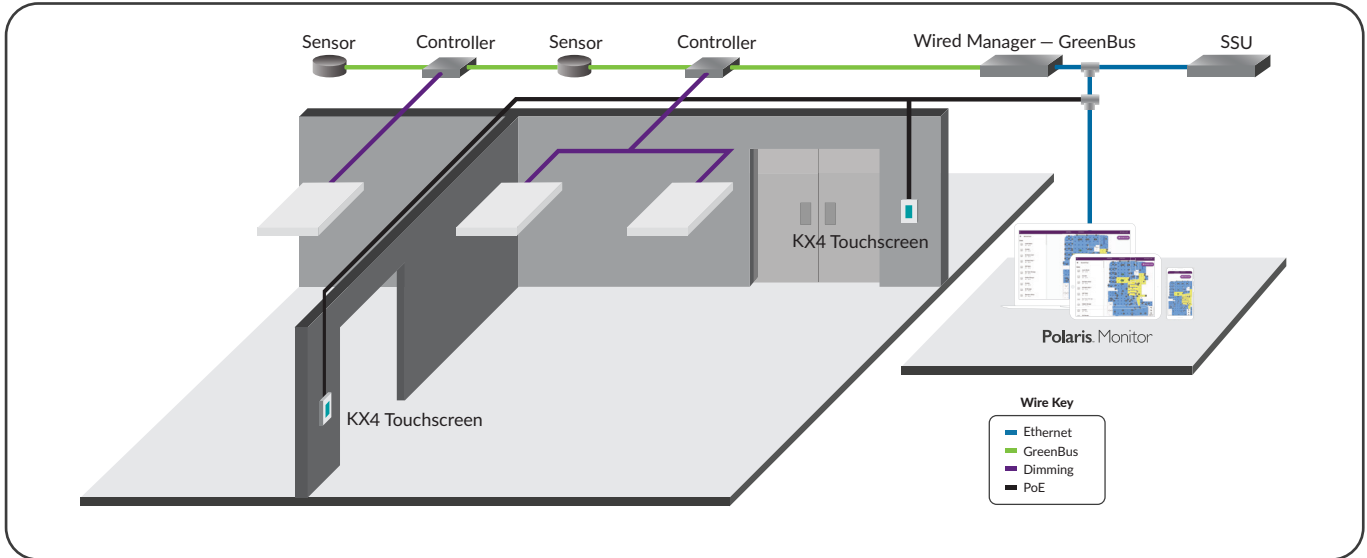
The Encelium KX4 Touchscreen Panel is a 97.2 mm (4 inches) flush-mount LCD touchscreen display that provides the ability to recall multiple lighting scenes for a given zone. It's ideal for large multi-purpose spaces where lighting requirements vary throughout the day, such as an auditorium or conference room.

SYSTEM OVERVIEW

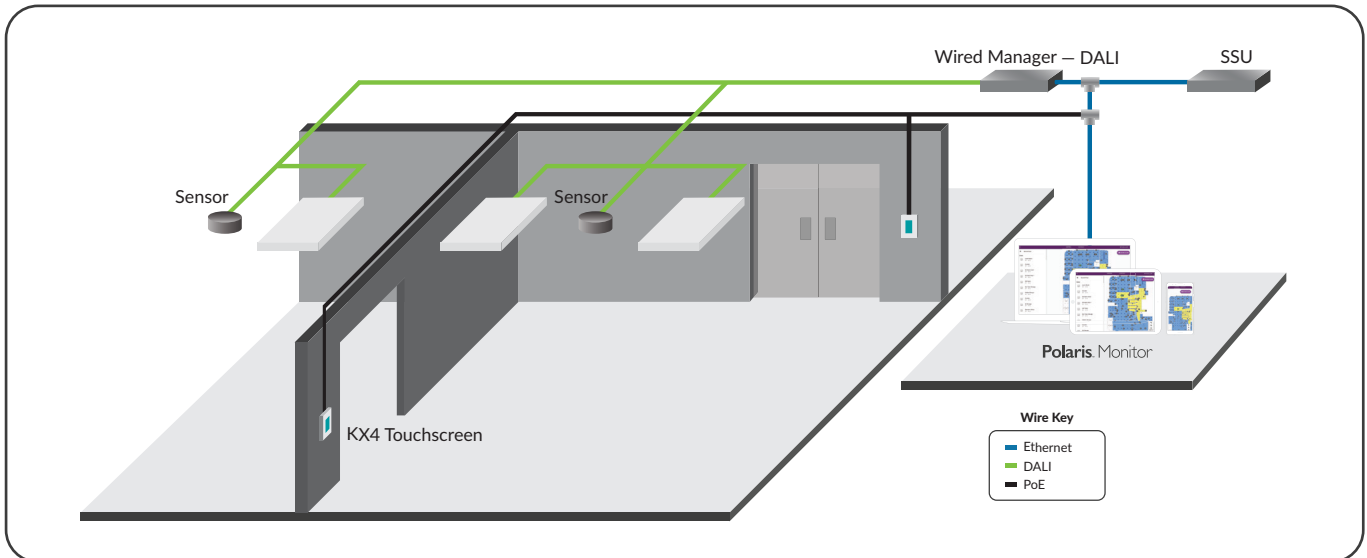
1 Wired System Overview

With Encelium X, you can control DALI devices exclusively or a mixture of GreenBus and DALI.

GreenBus

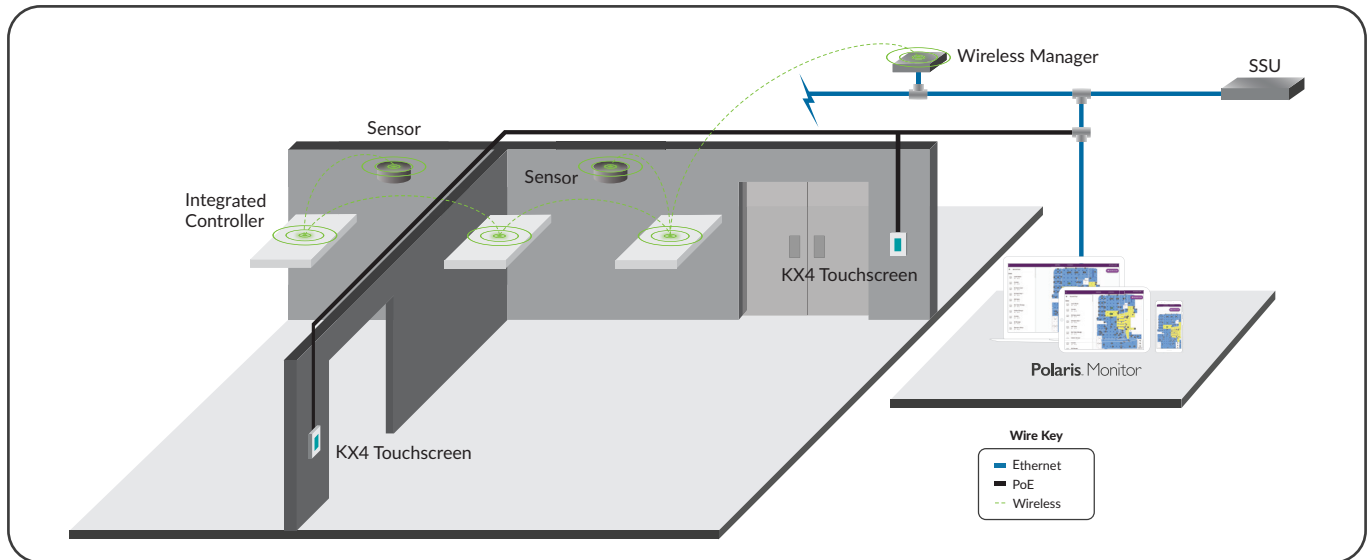


DALI



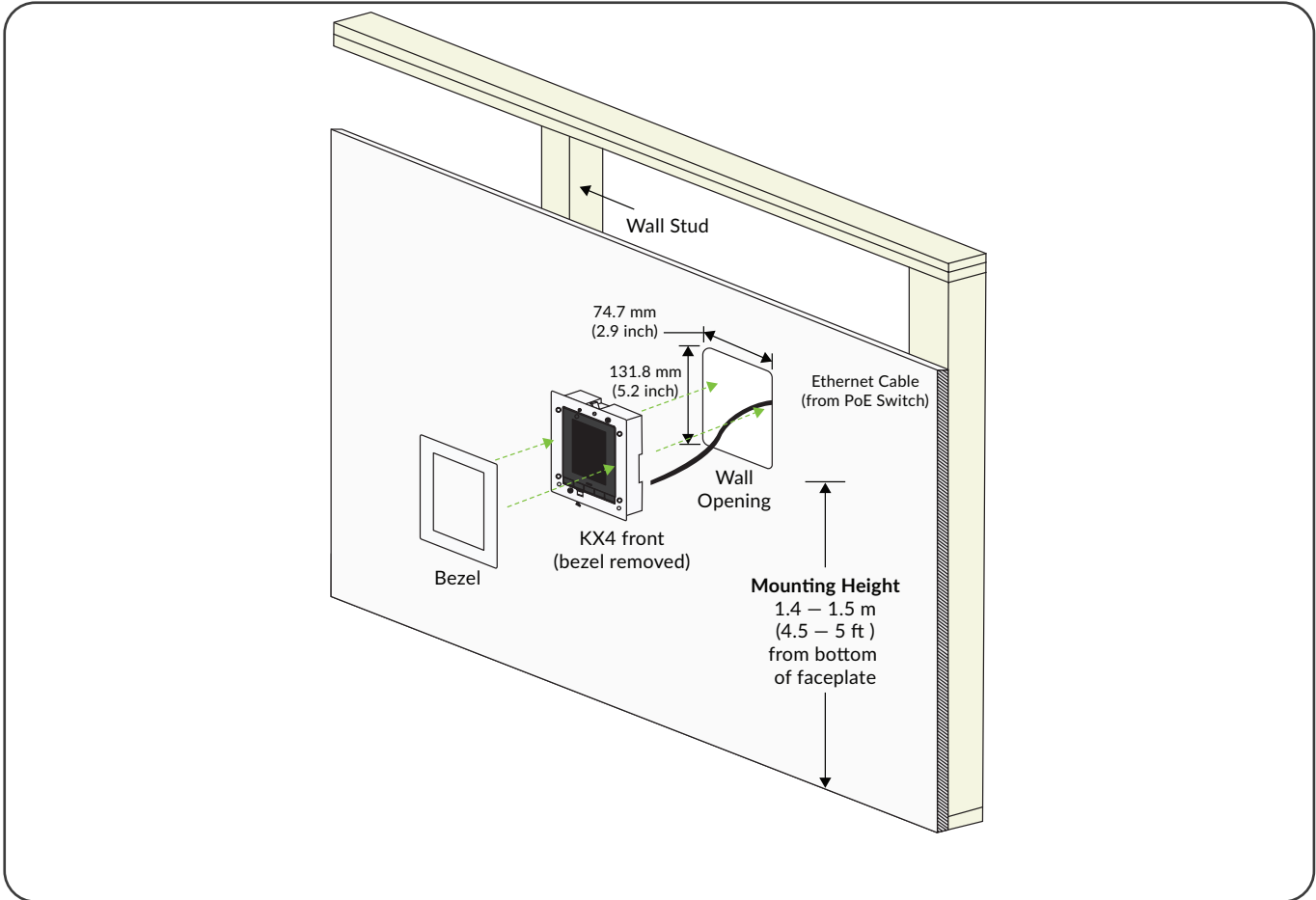
2 Wireless System Overview

This illustration shows how each component is easily integrated into the Encelium X Lighting Control System.



MOUNTING OPTION

The KX4 Touchscreen is designed for flush-mount, in-wall installations. It requires an available mounting depth of 52.5 mm (2 inches) from the surface of the wall. The recommended mounting height for the KX4 Touchscreen is between 1.4 and 1.5 m (4.5 and 5 ft) from the bottom of the faceplate.

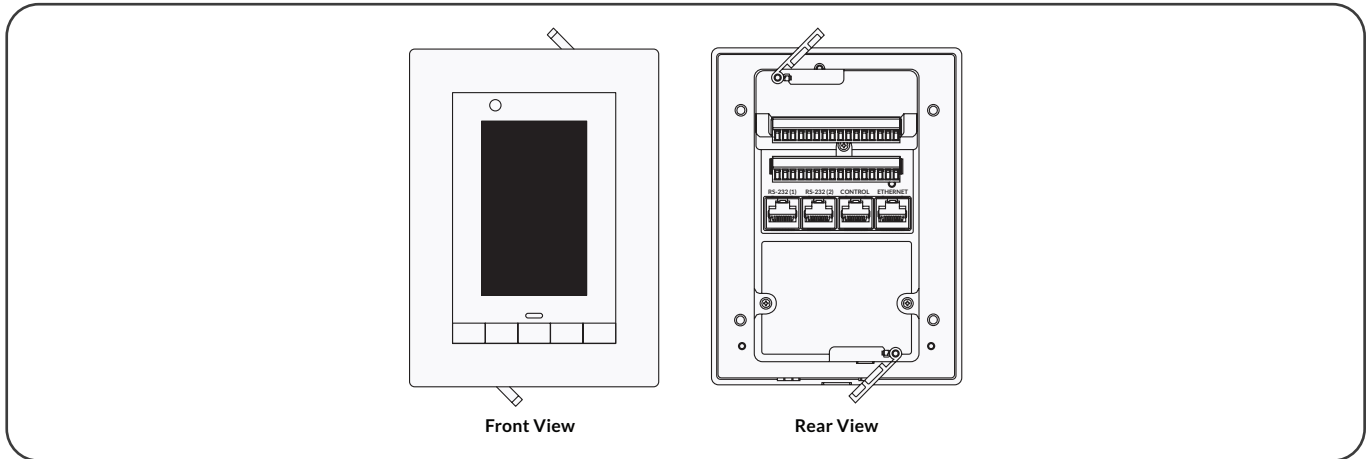


Note: There is little margin for error when fitting the KX4 Touchscreen into the wall opening. Make sure to use the included cardboard cut-out template to create the correct size opening in the wall. Additionally, carefully double-check that all measurements taken using the cardboard cut-out template are accurate.

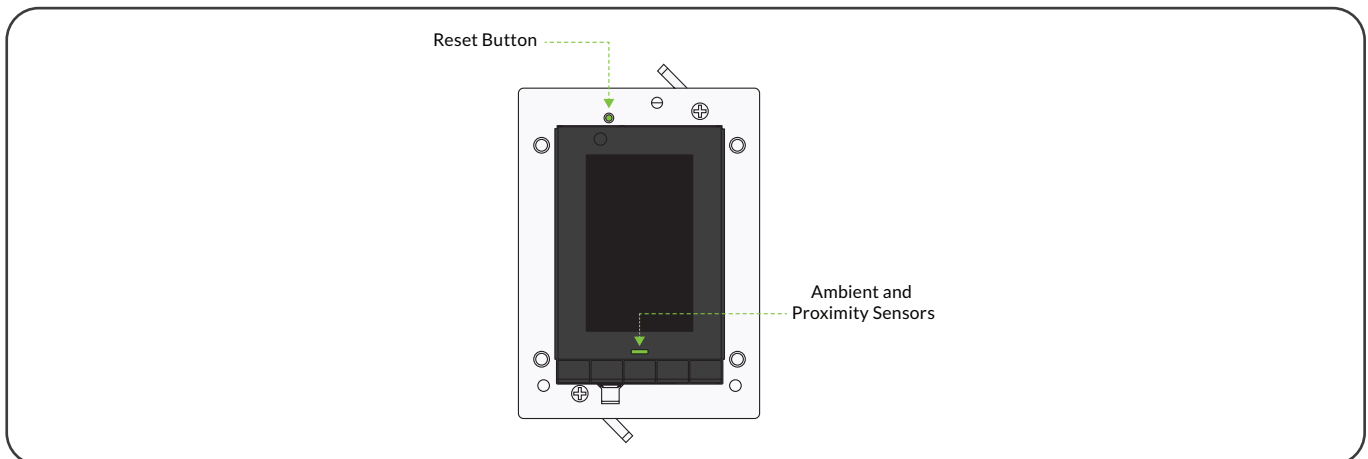
Note: Where wallbox mounting is required, 10-210560-15 (RTI KX4 Back Box) may be ordered. Note that the RTI-KX4 cannot be installed into a standard wallbox and must either be mounted using the built-in mounting arms, or into the 10-210560-15 KX4 wallbox.

INSTALLATION

- 1 The KX4 Touchscreen shall be installed in dry, indoor locations ONLY.



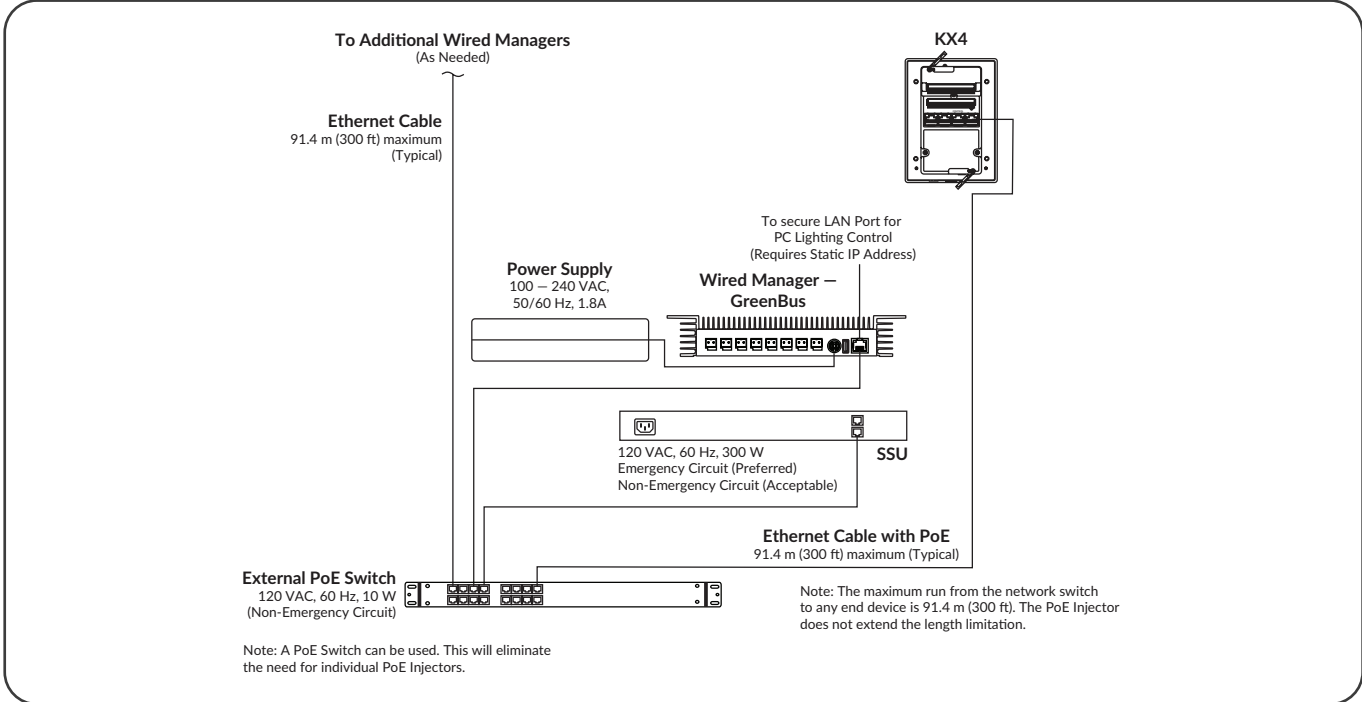
- 2 The KX4 Touchscreen has the following built-in components: ambient and proximity sensors and reset button.



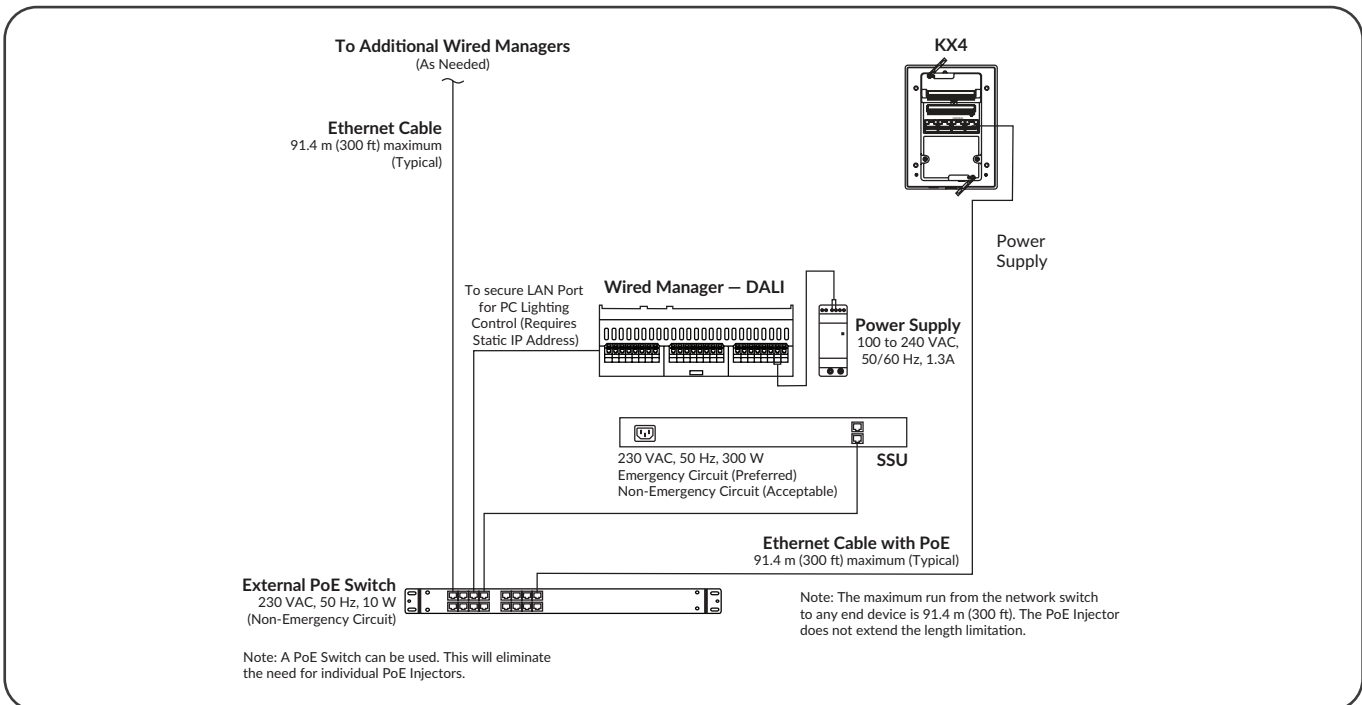
ELECTRICAL CONNECTIONS

1 KX4 Touchscreen Wiring Diagram

GreenBus

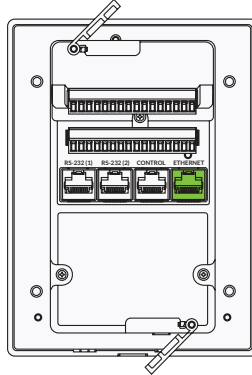


DALI



2 Ethernet Port Wiring

The Ethernet (LAN) connection enables communication with a control system and power-over-Ethernet (PoE). When powering the KX4 using PoE, a 802.3af Compliant class 3 PoE switch must be used.

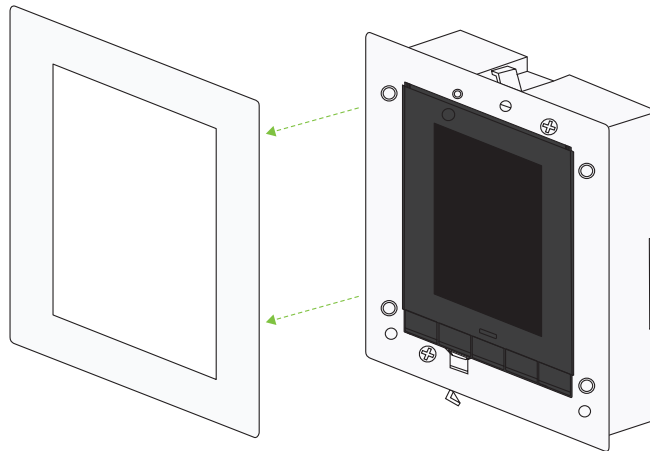


BUTTON KEYCAP REPLACEMENT

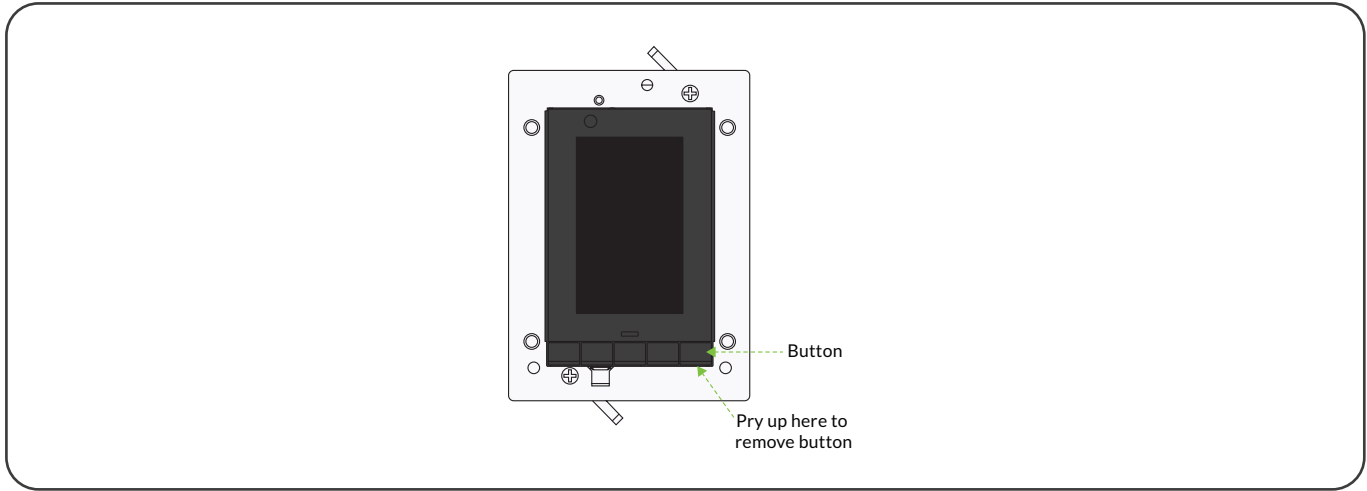
The KX4 Touchscreen hard button keycaps are compatible with the Laser Shark custom button etching service.

REMOVING BUTTON KEYCAPS

- 1 Remove the KX4 bezel.



- Using your fingernail or small screwdriver, gently pry up on the bottom edge of the keycap.



INSTALLING BUTTON KEYCAPS

- Align the keycap directly over the button location.
- Gently press straight down on the keycap until it is seated flush with the display.

