

# KX4 Touchscreen

## LCD Touch Screen Display Panel

Date: \_\_\_\_\_

Quantity: \_\_\_\_\_

Company: \_\_\_\_\_

Project: \_\_\_\_\_



The Encelium **KX4 Touchscreen** is a 97.2 mm (4 inches) flush-mount LCD touchscreen display that provides the ability to recall multiple lighting scenes for a given zone. It's ideal for large multi-purpose spaces where lighting requirements vary throughout the day, such as an auditorium or conference room.

With an intuitive panel design, users will be able to easily command various lighting scenarios to achieve the desired atmosphere. The LCD touchscreen provides multiple functions in each lighting zone such as setting brightness levels, recalling set scenes, and switching zones.

The KX4 Touchscreen is powered using a Power over Ethernet (PoE) Injector or PoE Network Switch.

### Works with

- Encelium X
  - ▶ DALI Wired
  - ▶ GreenBus Wired
  - ▶ Wireless



### Key Features & Benefits

- Control multiple lighting scenes for multi-purpose spaces
- Allows for tunable white lighting and shade control
- Screen appearance can be personalized for every space
- Perfect use for auditoriums, board rooms, large classrooms, and any multi-purpose space

## Specifications

---

### SENSING AND CONTROL

#### Control

- Wireless Communication
- DALI Communication
- GreenBus Communication

#### Control Options

- Powered using Power-over-Ethernet (PoE) Injector OR PoE Network Switch
- Total number of devices is limited only by memory

#### Display

- High brightness color TFT LCD, WVGA (400 x 800 pixels) with 16.7M colors
- Flexible configurations for custom buttons, text and graphics
- Integrated high-resolution projected capacitive touch screen
- LED Backlit, 200 nit

#### Input

- Four relays, 2A at 30 VDC
- Six sense inputs, 2 to 24 VDC

#### Infrared Output

- One, through control port, 200 mA output
- Drives up to 300 m (1,000 ft) of wire

#### Built-in Components

- Silicon MEMS microphone
- One speaker, Stereo 2 W, 8 Ohm

### ELECTRICAL

#### Power

- 9 to 16 VDC, 1A maximum

#### Radio Frequency

- Up to 30.5 m (100 ft), communication with optional wireless interfaces
- 802.15.4 @ 2.4GHz – Zigbee wireless network

### ENVIRONMENTAL

#### Operating Temperature

- 0° to 50°C (32° to 122°F)

#### Relative Humidity

- 5% to 95%, non-condensing

### PHYSICAL

#### Display Size

- 97.2 mm (4 inches) diagonal

#### Dimensions (H x W)

- Installation Cut- Out:  
74.7 X 131.8 mm (2.9 X 5.2 inches)
- Outer Bezel:  
110.5 X 149.2 mm (4.35 X 5.88 inches)

#### Total Depth in Wall

- 32.1 mm (1.27 inch), with mounting wings 41.2 mm (1.62 inches)<sup>1</sup>

#### Weight

- 252 g (8.9 oz)

#### Housing Color

- White and Black

#### Housing Material

- High-impact Molded ABS Plastic

#### Mounting Option

- Wall Mount, using either integrated mounting wings or screws through front plate

### WARRANTY

- For warranty details, refer to the full warranty documentation at [encelium.com](http://encelium.com)

### CERTIFICATIONS & SAFETY

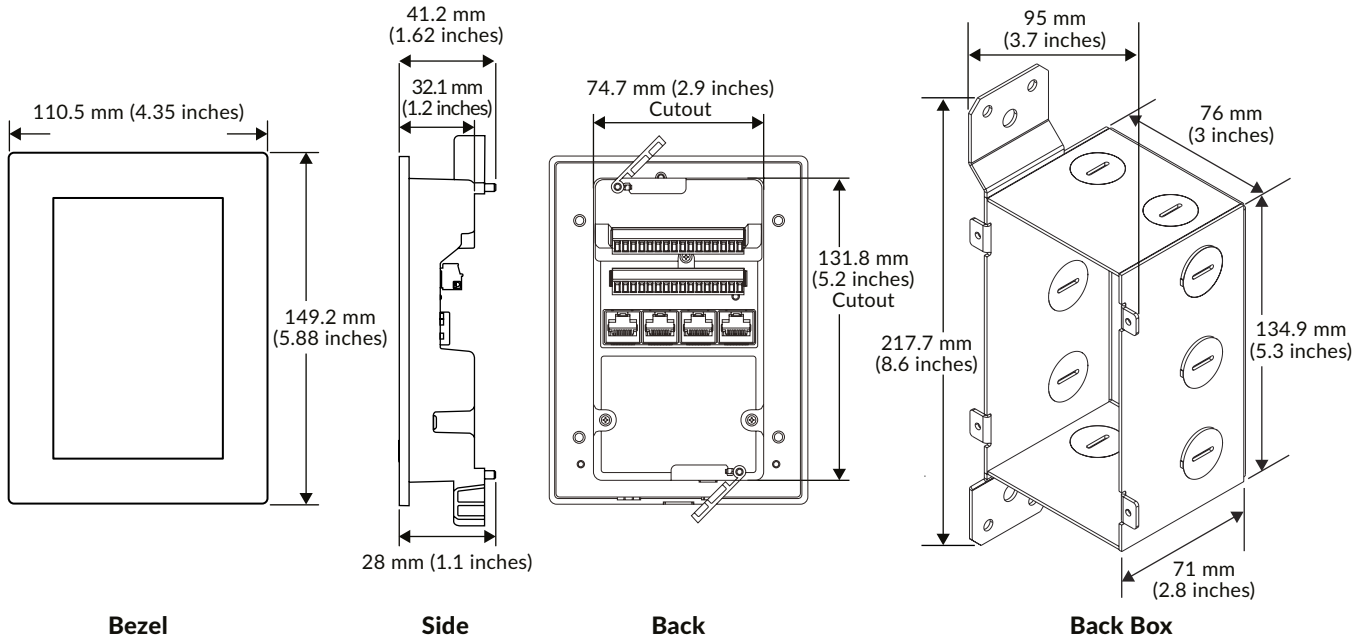
#### Approbations

- CE
- FCC
- EAC
- RCM



Footnotes: <sup>1</sup> Additional room may be necessary depending on connections used.

## Dimensions



## Ordering Information

Catalog Number	Description	Approbation	Communication Network
RTI-KX4	KX4 Touchscreen	FCC, CE, UKCA	Wired and Wireless

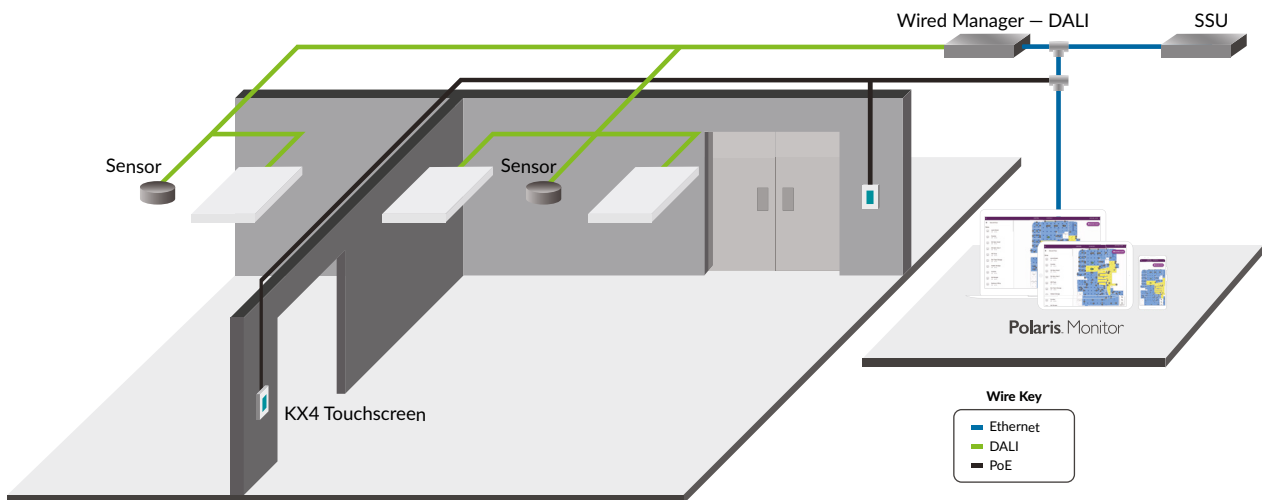
## ACCESSORIES

Catalog Number	Description
10-210560-15	RTI KX4 Back Box
1RTI40-210937-26	Blank Button Kit

## Wired System Overview

Encelium X enables you to control DALI devices exclusively or a mixture of GreenBus and DALI.

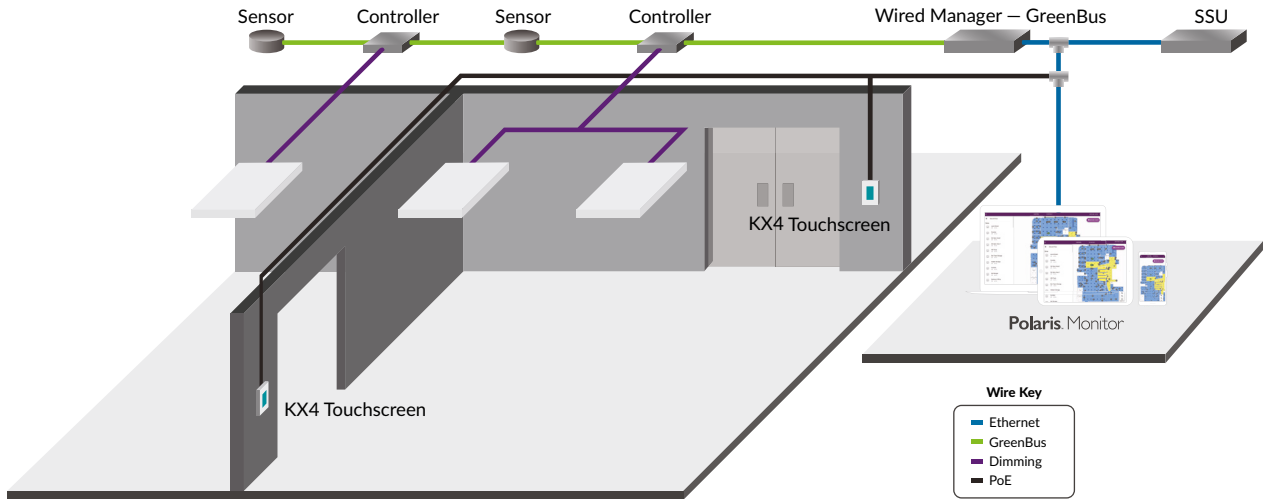
### DALI



## Wired System Overview (cont.)

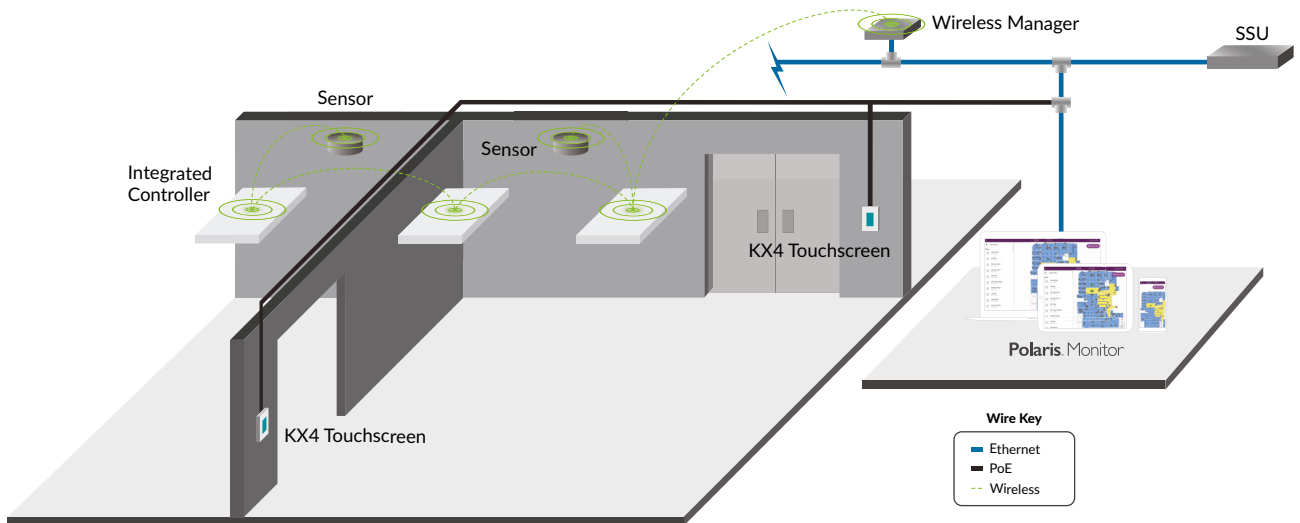
Encelium X enables you to control DALI devices exclusively or a mixture of GreenBus and DALI.

### GreenBus



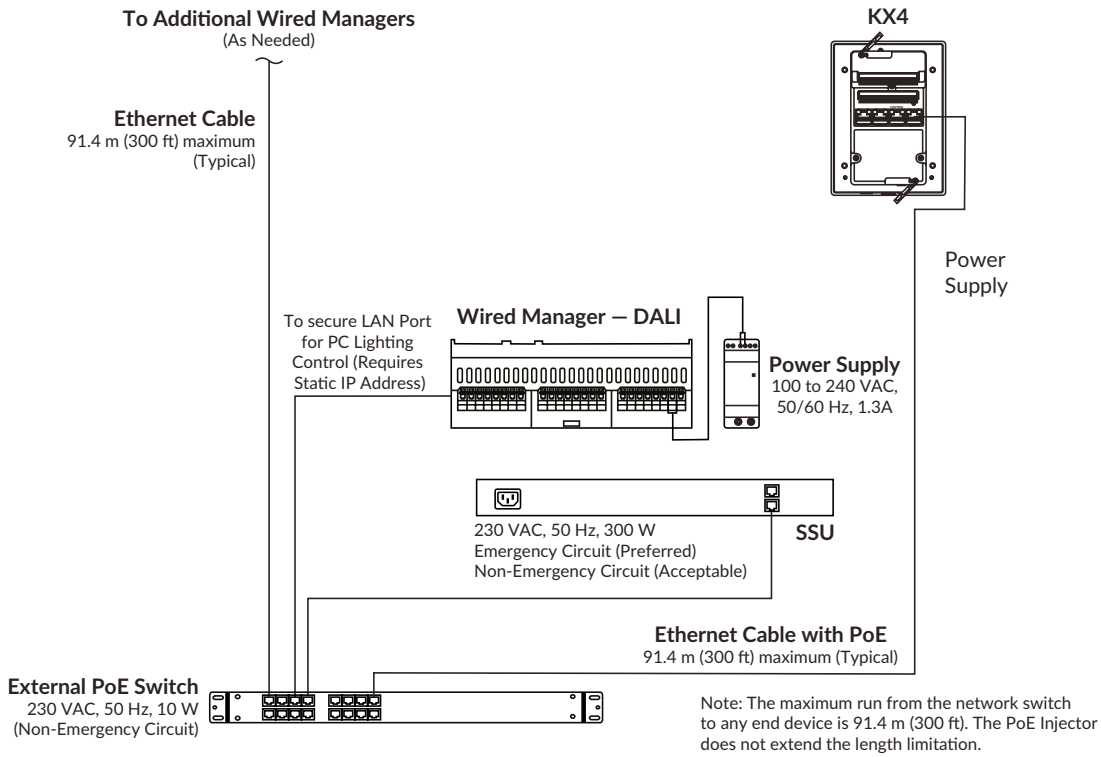
## Wireless System Overview

This illustration shows how each component is easily integrated into the Encelium X Lighting Control System.



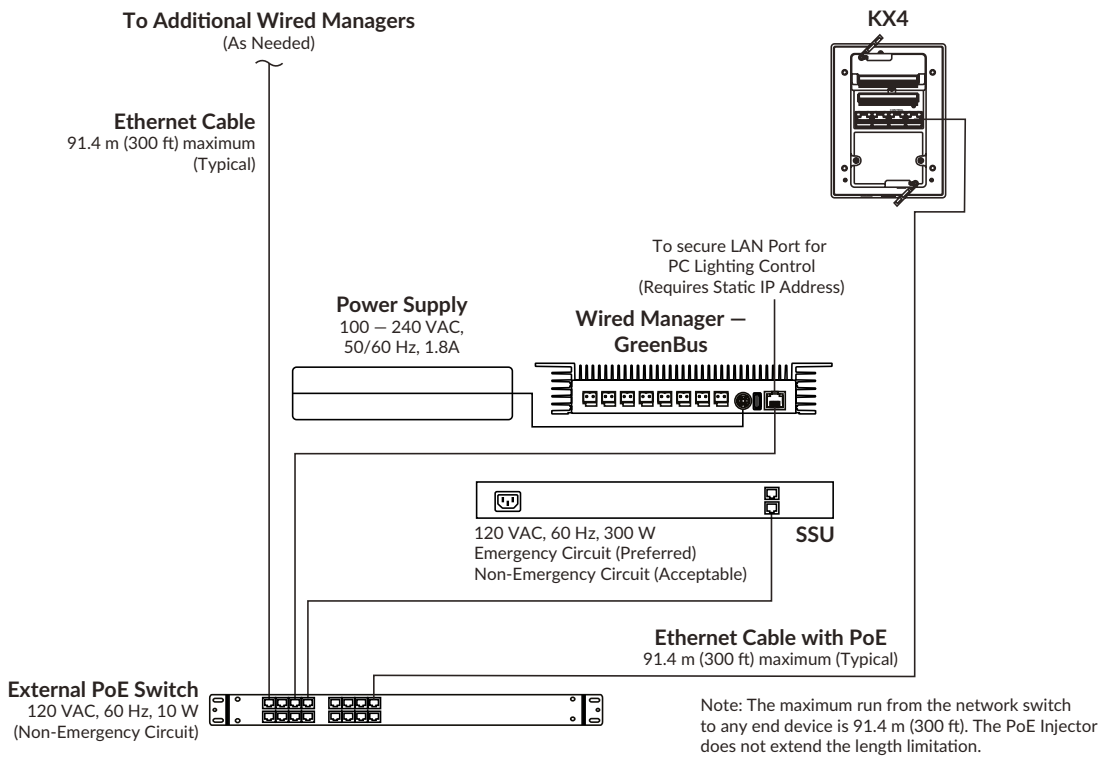
# Wiring Diagrams

## DALI Wiring



Note: A PoE Switch can be used. This will eliminate the need for individual PoE Injectors.

## GreenBus Wiring



Note: A PoE Switch can be used. This will eliminate the need for individual PoE Injectors.

# Screen Options

**Control Area Name**



**Brightness Only**



**Brightness and Shade**



**Brightness and Tunable White**



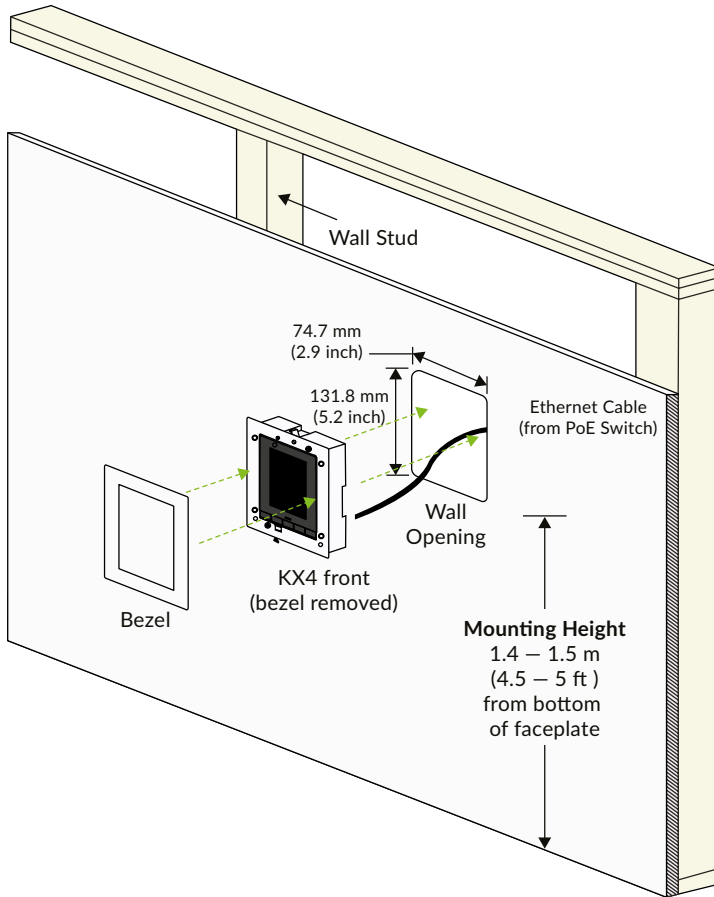
**Brightness, Tunable White, and Shades**



## Mounting Option

### Wall Mount

The KX4 Touchscreen should be mounted on the wall using the two mounting wings that are located on the top and bottom of the KX4 Touchscreen, which can be used to secure the KX4 Touchscreen to drywall in retrofit installations. Place the KX4 Touchscreen in the opening in the wall and tighten the mounting wing screws located on the front of the KX4 Touchscreen (bezel removed). The recommended mounting height is between 1.4 and 1.5 m (4.5 and 5 ft) from the ground. Use the included cardboard cut-out template to create the correct size opening in the wall.



**NOTE:** Where wallbox mounting is required, 10-210560-15 (RTI KX4 Back Box) may be ordered. Note that the RTI-KX4 cannot be installed into a standard wallbox and must either be mounted using the built-in mounting arms, or into the 10-210560-15 KX4 wallbox"