

DALI LS PD LI

DALI LS PD Luminaire Integration



The **DALI LS PD LI** is a compact light and presence sensor that is easily attached to a luminaire. The sensor communicates to the Encelium Wired Manager – DALI via directly connect DALI bus.

The DALI LS PD LI sensor is ideal for a wide variety of applications such as office lighting, classrooms, corridors, stairways and conference rooms.

The sensor can also be installed in concrete ceilings using the Surface Mount **LS PD AP Kit**.

Date: _____

Quantity: _____

Company: _____

Project: _____

Works with

- Encelium X
 - ▶ DALI Wired



Key Features & Benefits

- Direct connection to Encelium Wired Manager – DALI
- Function indicator with two-color LED
- Ceiling mounting height between 2 to 5 m (6.6 to 16.4 ft)
- Concrete Ceiling Mount is possible with a Surface Mount LS PD AP KIT

DALI LS PD LI Specifications

SENSING AND CONTROL

Sensing

- Presence sensing via passive IR

Light Sensor Operating Range

- 20 to 800 lux (approximately)

ENVIRONMENTAL

Ambient Temperature Range

- -20° to 50°C (-4° to 122°F)

PHYSICAL

Dimensions (H x W x D)

- 17 X 15 x 48 mm (0.67 X 0.6 x 1.9 inches)

Weight

- 10 g (3.35 oz)

Housing Color

- Light Gray

Housing Material

- Plastic

Mounting Options

- Luminaire Integration
- Concrete Ceiling Integration (with LS PD AP KIT)

Mounting Height

- 5 m (16.4 ft) maximum

Detection Area

- Ø6 m (0.25 inch) maximum

Detection Angle

- 80°

WARRANTY

- For warranty details, refer to the full warranty documentation at encelium.com

CERTIFICATIONS & SAFETY

Approbations

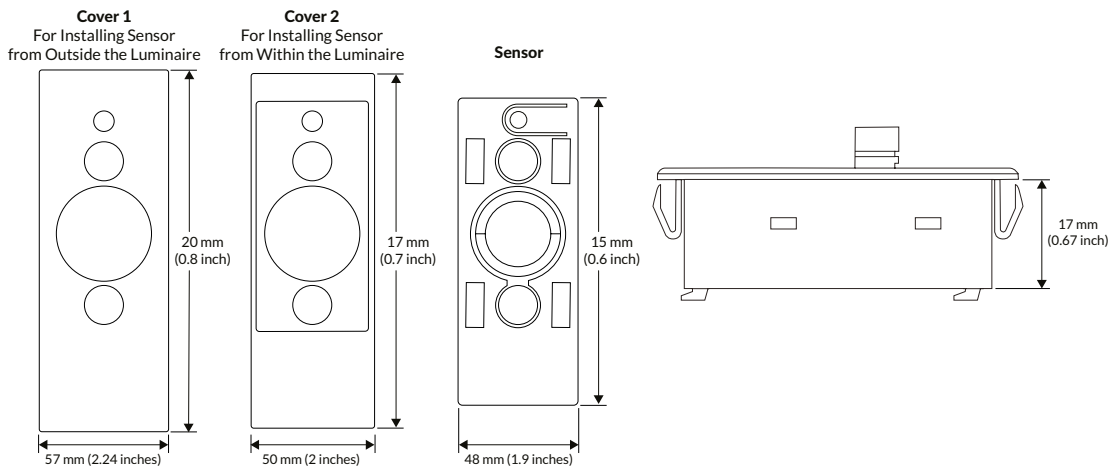
- CE

Environmental Suitability

- IP20



Dimensions



LS PD AP KIT Specifications

PHYSICAL

Dimensions (H x W x D)

- 34 X 65 x 65 mm (0.67 X 0.6 x 1.9 inches)

Weight

- 60 g (2.1 oz)

Housing Color

- Light Gray

Housing Material

- Plastic

Mounting Options

- Surface Mount Kit for Concrete Ceilings is optional and requires the purchase of LS PD AP KIT

WARRANTY

- For warranty details, refer to the full warranty documentation at encelium.com

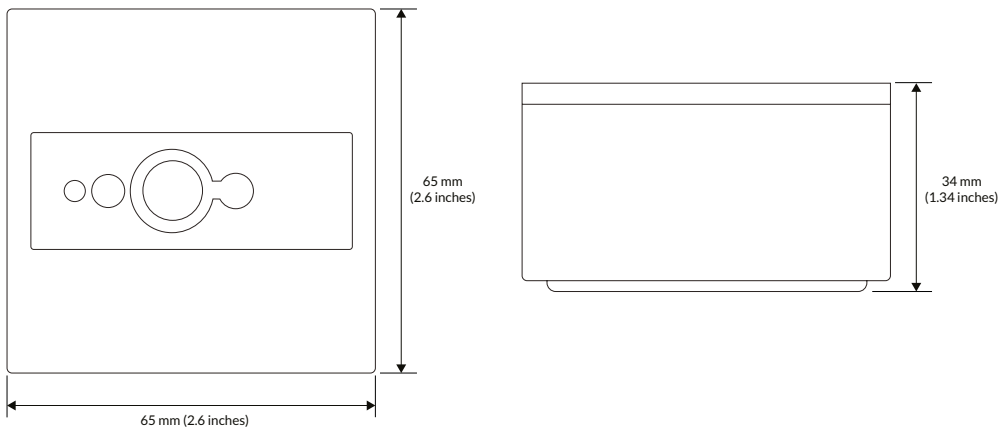
CERTIFICATIONS & SAFETY

Approbations

- CE



Dimensions



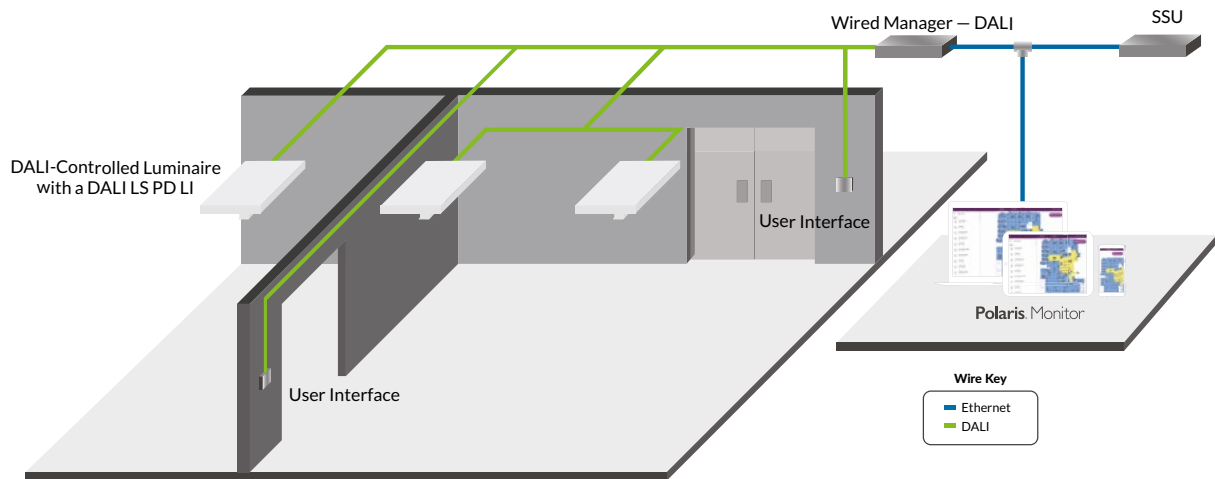
Ordering Information

Ordering Code	Description	Approbations	Communication Network
4052899043954	DALI LS PD LI	CE	DALI
4052899173385	LS PD AP KIT	CE	—

Note: The LS PD AP Kit is an accessory and sold separately.

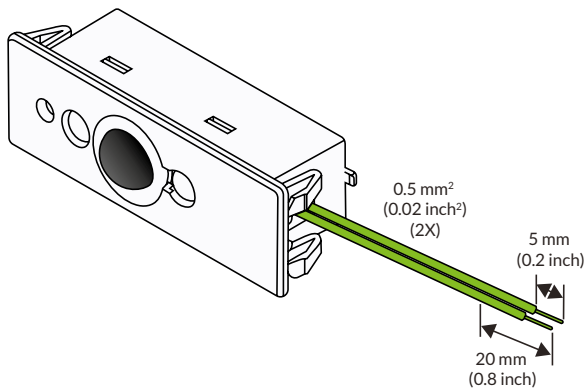
Wired System Overview

Encelium Extend enables you to control DALI devices. With any Encelium wired design, you get a reliable, lighting control system that can be installed quickly and easily.



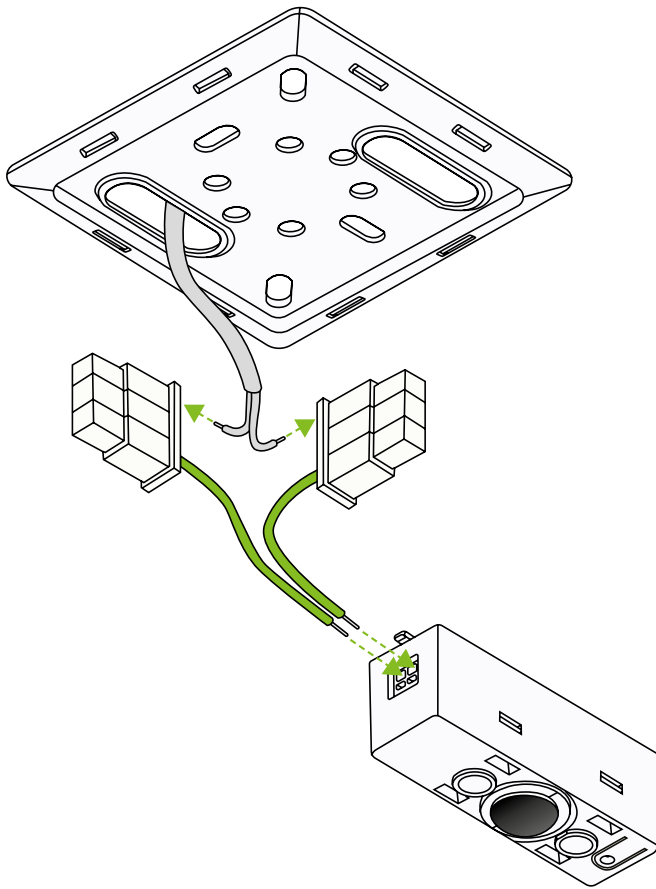
Wiring Diagrams

DALI LS PD LI Wiring

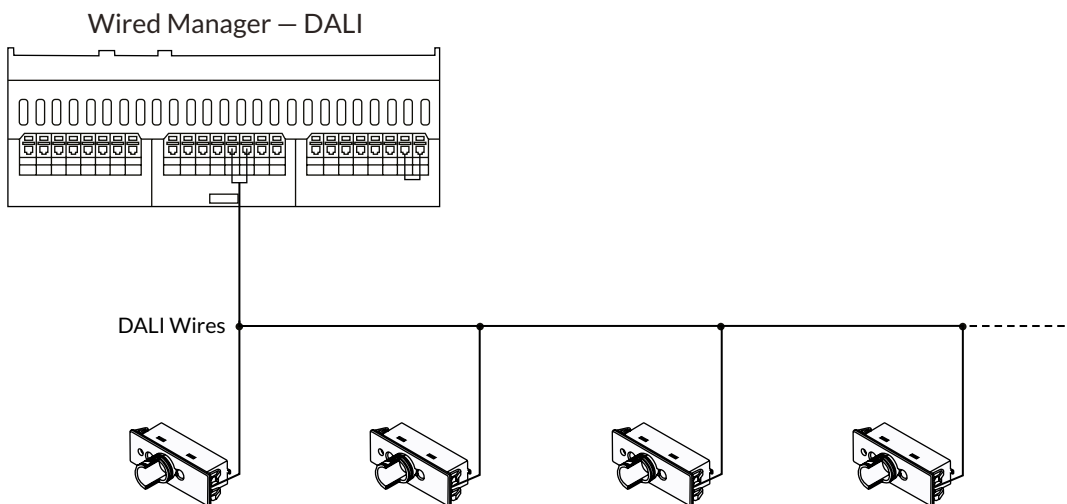


Wiring Diagrams (cont.)

LS PD AP KIT Wiring

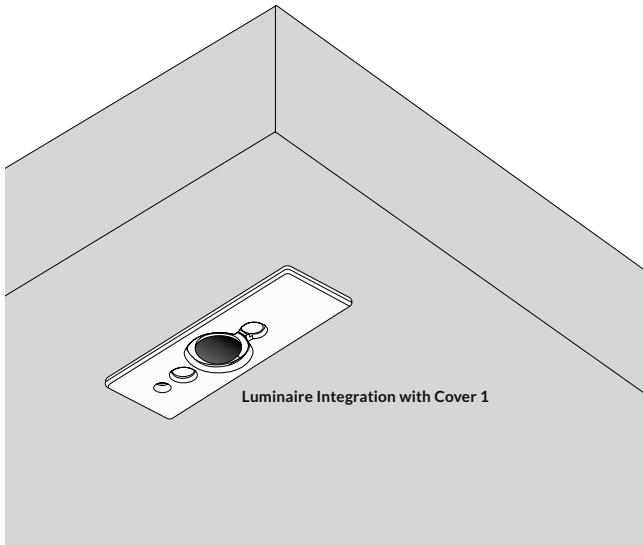


DALI LS PD LI Integration Wiring



Mounting Options

Luminaire Integration (shown with Cover 1)



Concrete Ceiling Integration (Optional)

