

# DALI LS PD

## DALI LS PD Sensor

Date: \_\_\_\_\_

Quantity: \_\_\_\_\_

Company: \_\_\_\_\_

Project: \_\_\_\_\_



The **DALI LS PD** is a compact light and presence sensor that is ceiling mounted or attached to a luminaire. The sensor communicates to the Encelium DALI Manager directly over the DALI bus.

The DALI LS PD sensor is ideal for a wide variety of applications such as office lighting, classrooms, corridors, stairways and conference rooms.

The sensor can also be installed in concrete ceilings using the Surface Mount **LS PD AP Kit**.

### Works with

- Encelium X
  - ▶ DALI Wired



### Key Features & Benefits

- Direct connection to Encelium Wired Manager – DALI
- Function indicator with two-color LED
- Ceiling mounting height between 2 to 5 m (6.6 to 16.4 ft)
- Standard Ceiling Mount is possible using the LSPD-CI-KIT
- Concrete Ceiling Mount is possible with a Surface Mount LS PD AP KIT

## DALI LS PD LI Specifications

### SENSING AND CONTROL

#### Sensing

- Presence sensing via passive IR

#### Light Sensor Operating Range

- 20 to 800 lux (approximately)

### ENVIRONMENTAL

#### Ambient Temperature Range

- -20° to 50°C (-4° to 122°F)

### PHYSICAL

#### Dimensions (H x W x D)

- 17 X 15 x 48 mm (0.67 X 0.6 x 1.9 inches)

#### Weight

- 10 g (3.35 oz)

#### Housing Color

- Light Gray

#### Housing Material

- Plastic

#### Mounting Options

- Luminaire Integration
- Concrete Ceiling Integration (with LS PD AP KIT)

#### Mounting Height

- 5 m (16.4 ft) maximum

#### Detection Area

- Ø6 m (0.25 inch) maximum

#### Detection Angle

- 80°

### WARRANTY

- For warranty details, refer to the full warranty documentation at [encelium.com](http://encelium.com)

### CERTIFICATIONS & SAFETY

#### Approbations

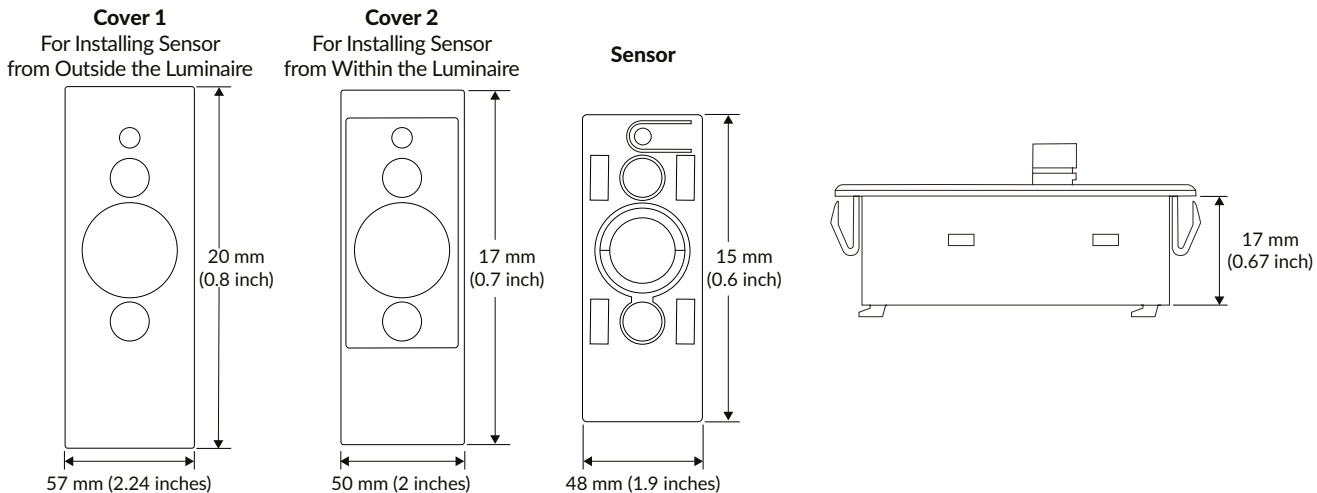
- CE

#### Environmental Suitability

- IP20



## DALI LS PD LI Dimensions



## DALI LS PD CI Specifications

---

### SENSING AND CONTROL

#### Sensing

- Presence sensing via passive IR

#### Light Sensor Operating Range

- 20 to 800 lux (approximately)

### ENVIRONMENTAL

#### Ambient Temperature Range

- -20° to 50°C (-4° to 122°F)

### PHYSICAL

#### Dimensions (H x W x D)

- 35 x 65 x Ø 80 mm (0.12 x 2.56 x Ø 3.15 inches)

#### Weight

- 95 g (3.3 oz)

#### Housing Color

- White

#### Housing Material

- Plastic

#### Mounting Option

- Suspended Ceiling Integration

#### Mounting Height

- 5 m (16.4 ft) maximum

#### Mounting Hole Spacing

- 73 mm (2.9 inches) diagonal

#### Detection Area

- Ø 6 m (Ø 0.25 inch) maximum

#### Detection Angle

- 40° to 90°

#### Total Depth in Ceiling

- 36 mm (1.4 inches)

### WARRANTY

- For warranty details, refer to the full warranty documentation at [encelium.com](http://encelium.com)

### CERTIFICATIONS & SAFETY

#### Approbations

- CE

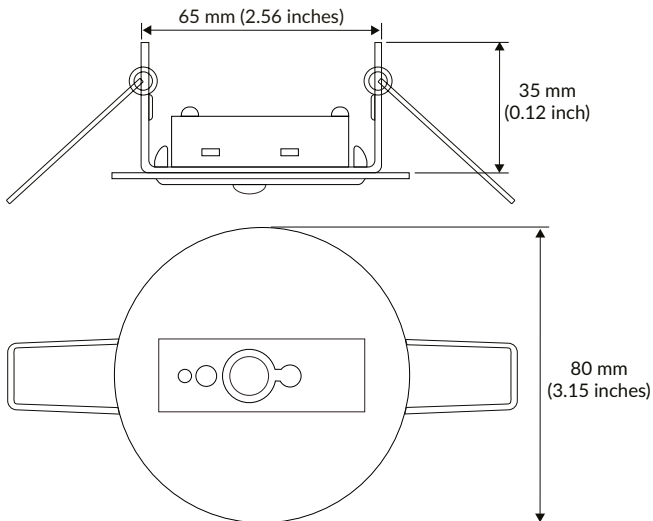
#### Environmental Suitability

- IP20



## DALI LS PD CI Dimensions

---



## DALI LS AP KIT Specifications

### PHYSICAL

#### Dimensions (H x W x D)

- 34 X 65 x 65 mm (0.67 X 0.6 x 1.9 inches)

#### Weight

- 60 g (2.1 oz)

#### Housing Color

- Light Gray

#### Housing Material

- Plastic

#### Mounting Options

- Surface Mount Kit for Concrete Ceilings is optional and requires the purchase of LS PD AP KIT

### WARRANTY

- For warranty details, refer to the full warranty documentation at [encelium.com](http://encelium.com)

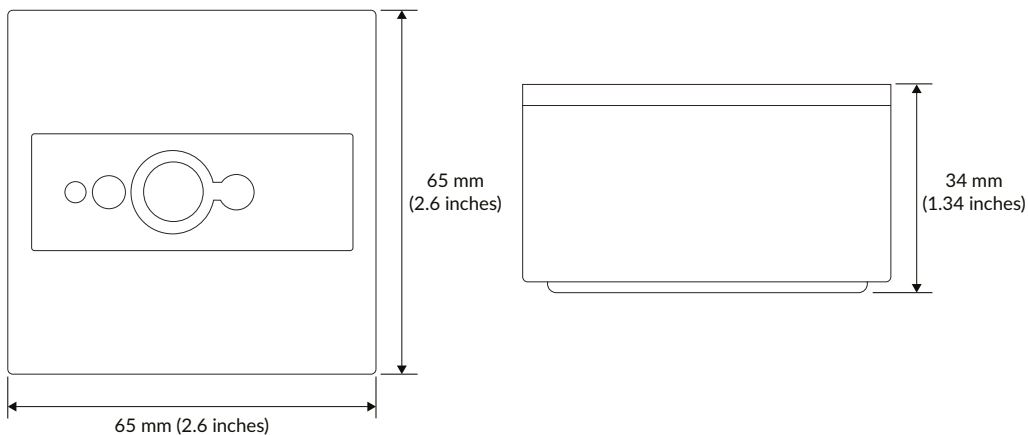
### CERTIFICATIONS & SAFETY

#### Approbations

- CE



## DALI LS AP KIT Dimensions



## Ordering Information

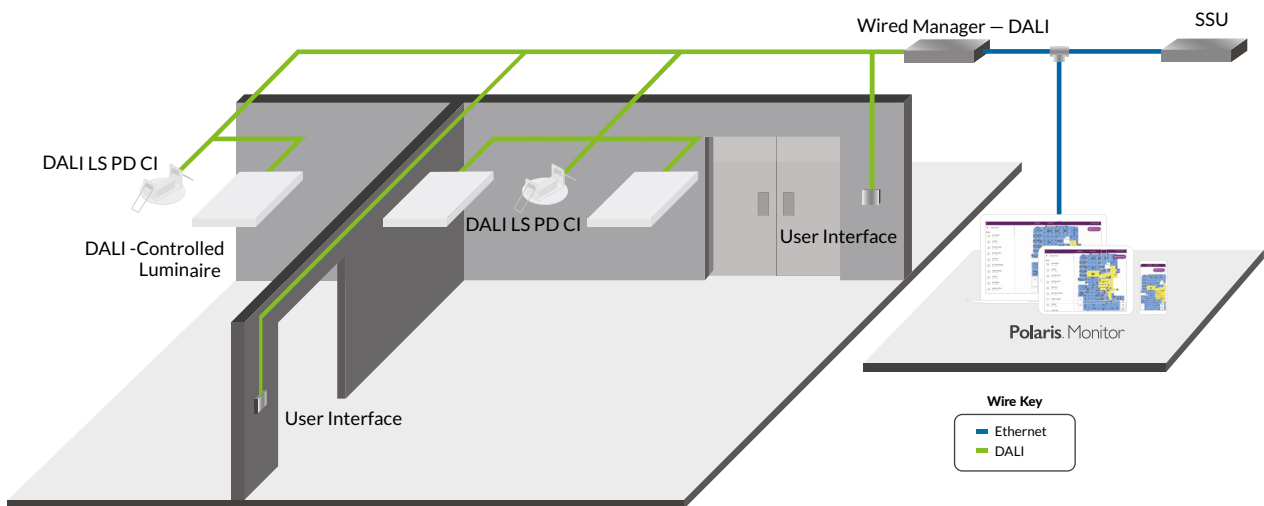
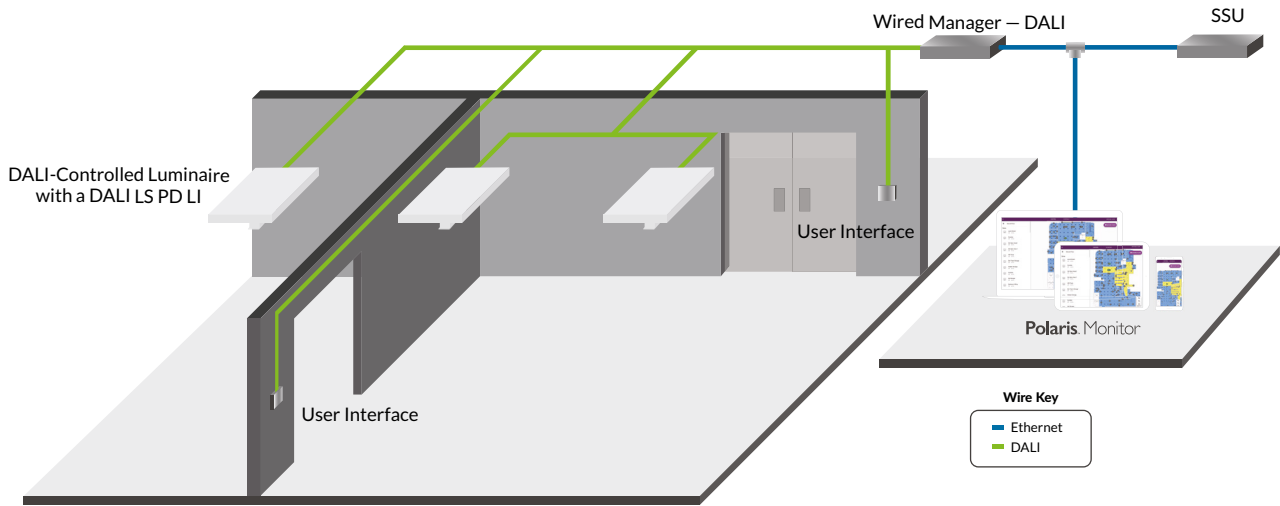
Catalog Number	Description	Approbation	Communication Network
DALISENS-LSPD-LIG2	DALI LS PD Sensor (Luminaire Integrated)	CE	DALI
DALISENS-LSPD-CIG2	DALI LS PD Sensor (Ceiling Mounted)	CE	DALI
LSPD-AP-KIT	DALI LS PD Surface Mount Kit	CE	—
LSPD-CI-KIT	DALI LS PD Ceiling Mount Kit	CE	—

Note: The LS PD AP Kit is an accessory and sold separately.

Note 2: DALISENS-LSPD-CIG2 includes a mounting kit.

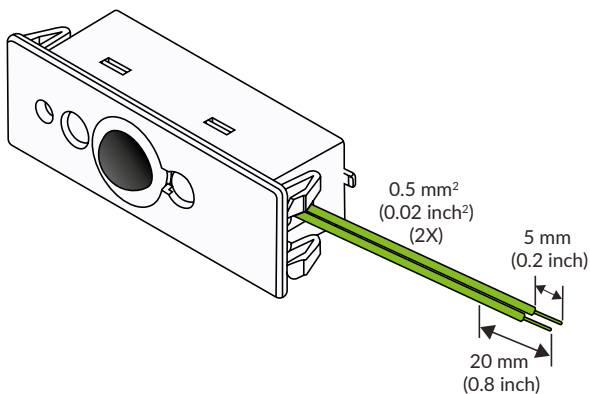
## Wired System Overview

Encelium Extend enables you to control DALI devices. With any Encelium wired design, you get a reliable, lighting control system that can be installed quickly and easily.

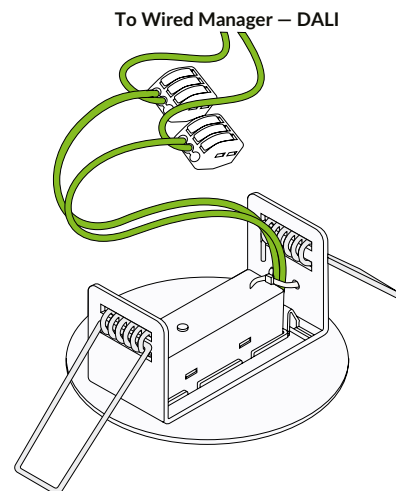


## Wiring Diagrams

### DALI LS PD LI Wiring

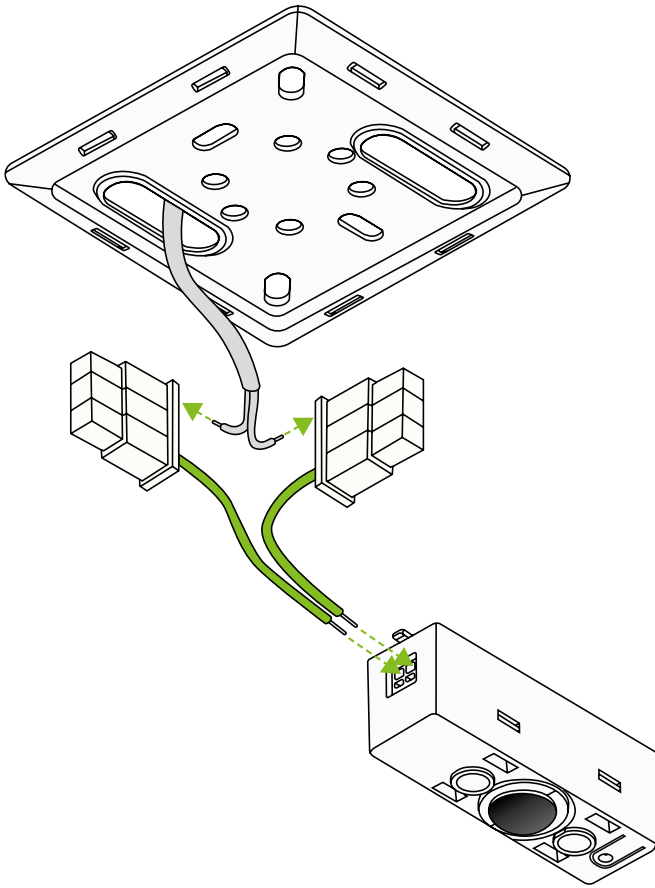


### DALI LS PD CI Wiring

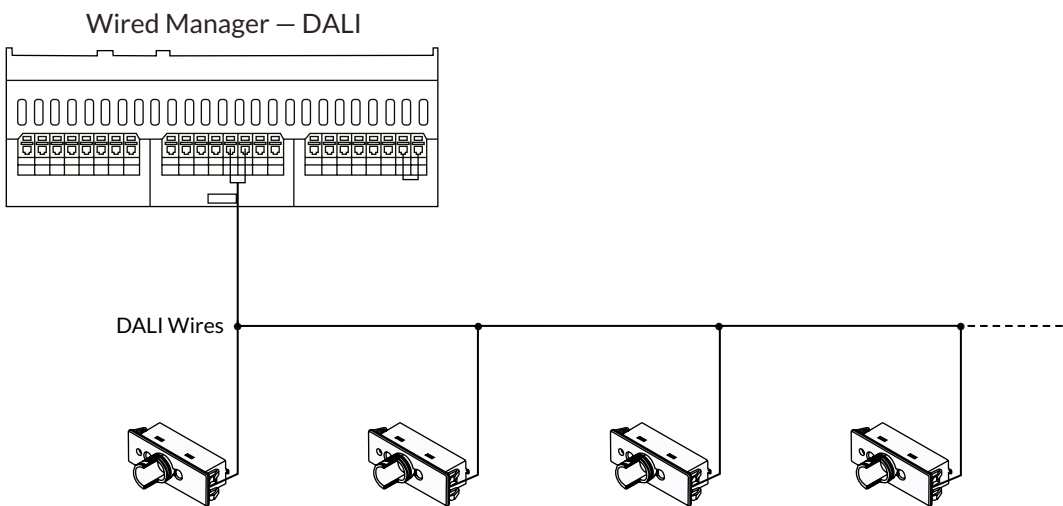


## Wiring Diagrams (cont.)

### LS PD AP KIT Wiring

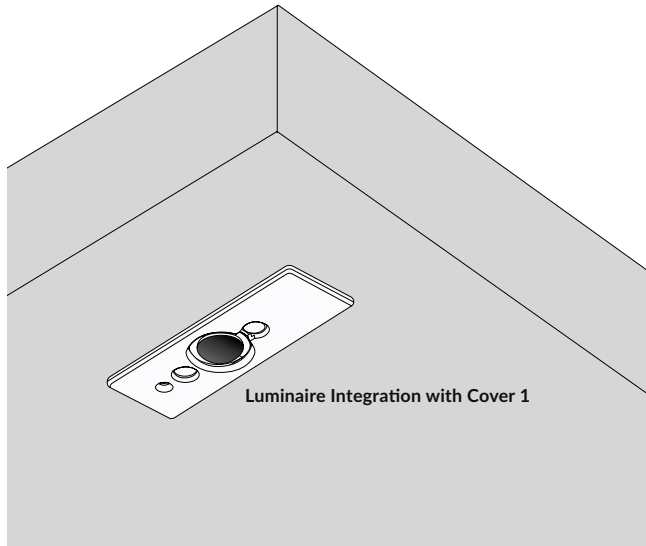


### DALI LS PD LI Integration Wiring

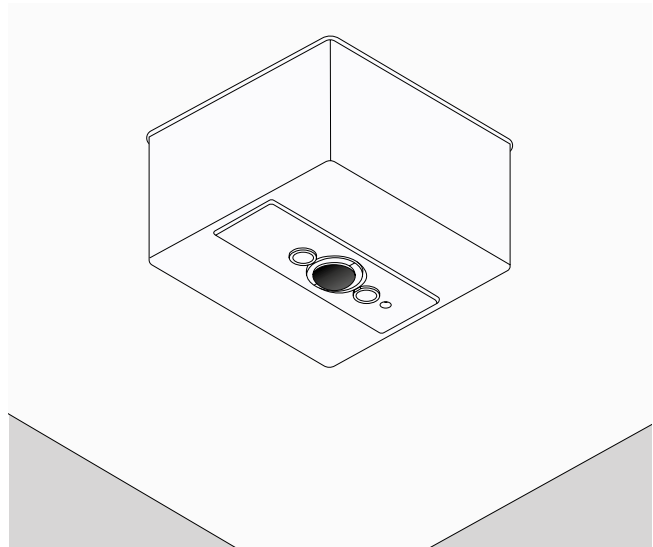


## Mounting Options

Luminaire Integration (shown with Cover 1)



Concrete Ceiling Integration (Optional)



Suspended Ceiling Integration for DALI LS PD CI

