

DALI-2 LS PD O CI Sensor

Office Ceiling Integrated Sensor

Date: _____

Quantity: _____

Company: _____

Project: _____



The Encelium **DALI-2 LS PD O CI Sensor** utilizes Passive Infrared (PIR) and Photo Sensors to provide occupancy and light information.

The compact IP20 rated housing designed for integration into recessed ceilings make this sensor ideal for office applications.

The DALI-2 LS PD O CI Sensor is DALI-2 certified and communicates with the Encelium Wired Manger – DALI, a key component of the Encelium X Lighting Control System.

Works with

- Encelium X
 - ▶ DALI-2 Wired



Key Features & Benefits

- Designed for easy ceiling integration with the attached mounting clip
- Wide motion detection range optimized for offices up to 12 m (39.4 ft)
- Mounting height up to 4 m (13.1 ft)
- Easily adaptable to surface mounting with the use of the optional Mounting Adapter Kit
- DALI-2 certification

DALI-2 LS PD O CI Specifications

SENSING AND CONTROL

Sensing

- Passive Infrared (PIR) Sensor
- Photo Sensor

Light Sensor Operating Range

- Up to 1,500 lux (measured at sensor)

Control

- DALI-2 Communication

ELECTRICAL

Input Voltage

- 16 VDC

Current

- 8 mA

Startup Time

- 600 ms maximum

DALI to Mains

- Galvanic isolation, uses wires suitable for mains voltage

ENVIRONMENTAL

Ambient Temperature

- -20° to 45°C (-4° to 113°F)

Case Temperature

- 45°C (113°F) maximum
- 110°C (230°F) maximum fault condition

Storage Temperature

- -25° to 45°C (-13° to 113°F)

Relative Humidity

- 5% to 85% non-condensing

PHYSICAL

Dimensions (H x D)

- 67 x Ø 105 mm (2.6 x Ø 4.1 inches)

Weight

- 120 g (4.2 oz)

Housing Color

- White

Housing Material

- Plastic/Metal

Mounting Options

- Ceiling Integration
- Surface-Mount (Optional Mounting Adapter Kit)

Mounting Height

- 2 to 4 m (6.6 to 13.1 ft)

Wire Diameter

- 1 to 2.5 mm² (25.4 to 63.5 inches²), H05VV-F/H05RN-F

Expected Lifetime

- >50,000 h lifetime at t_a = 50°C (122°F)

WARRANTY

- For warranty details, refer to the full warranty documentation at encelium.com

CERTIFICATIONS & SAFETY

Approbations

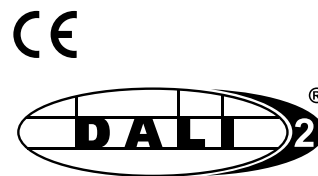
- CE
- DALI-2 Certified

Complies with Electromagnetic Compatibility (EMC) Standards:

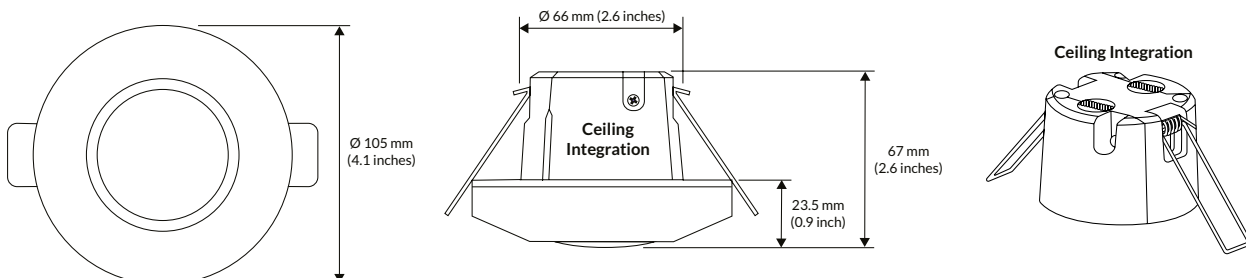
- EN 55015
- EN 61347-1
- EN 61347-2-11
- EN 61547
- EN 62386-101
- EN 62386-103
- EN 62386-303
- EN 62386-304
- EN IEC 63000

Environmental Suitability

- IP20, Indoor Use



Dimensions



Mounting Adapter Kit Specifications

PHYSICAL

Dimensions (H x D)

- 24.5 x Ø 105 mm (1 x Ø 4.1 inches)

Housing Color

- White

Housing Material

- Plastic

Mounting Option

- Surface-Mount

WARRANTY

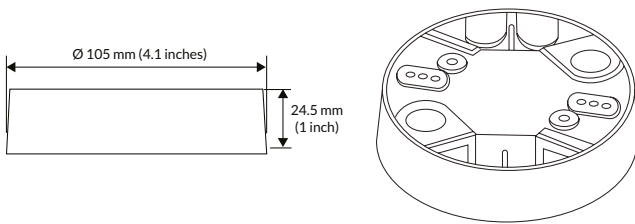
- For warranty details, refer to the full warranty documentation at encelium.com

CERTIFICATIONS & SAFETY

Environmental Suitability

- IP54

Dimensions

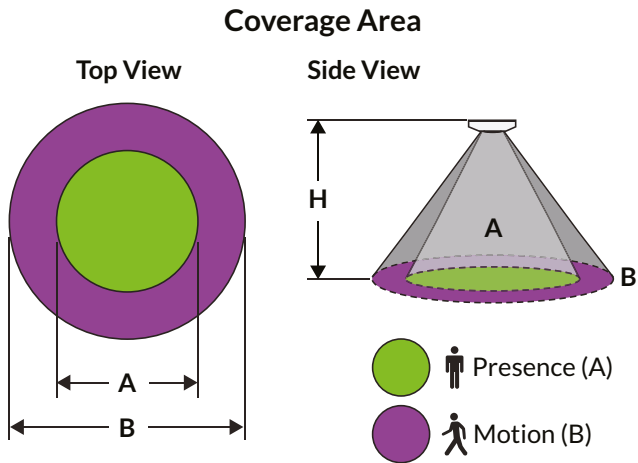


Ordering Information

Ordering Code	Description	Approbation	Communication Network
4052899630444	DALI-2 LS PD O CI Sensor	CE	DALI-2
4062172161466	Mounting Adapter Kit*	—	—

* Mounting Adapter Kit sold separately.

Sensor Coverage

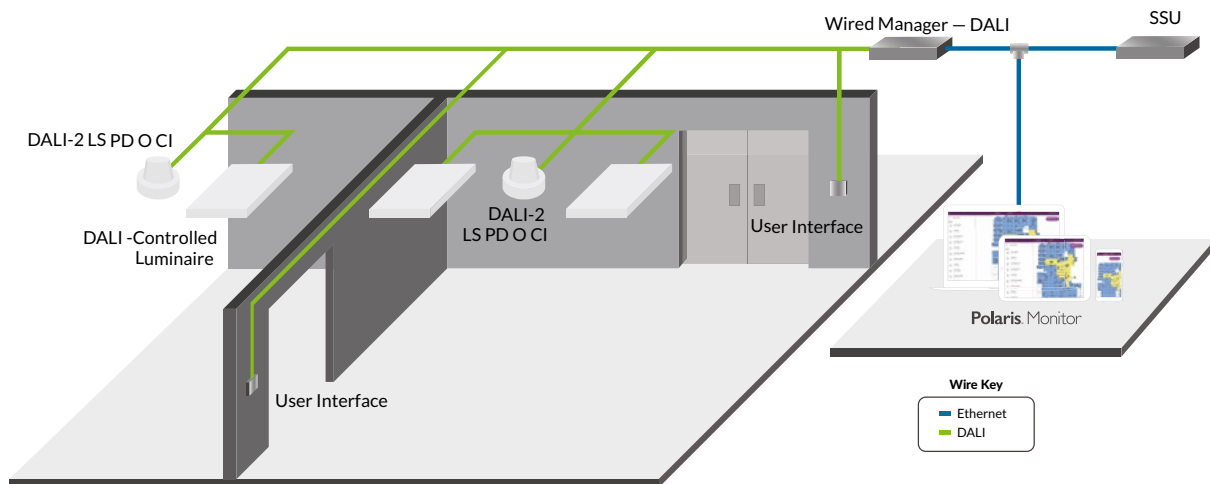


Sensor Detection Range

Detection Type	Mounting Height			
	2 m (6.6 ft)	2.5 m (8.2 ft)	3 m (10 ft)	4 m (13.1 ft)
Presence	3 m (10 ft)	4 m (13.1 ft)	4.5 m (14.8 ft)	—
Motion	6 m (20 ft)	8 m (26.2 ft)	9 m (29.5 ft)	12 m (39.4 ft)

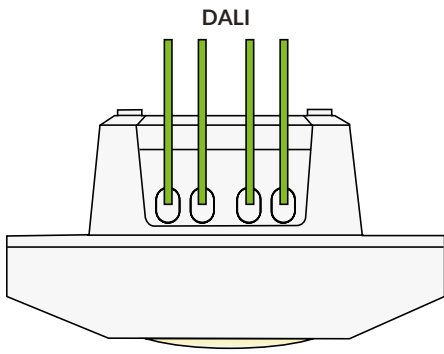
Wired System Overview

Encelium X enables you to control DALI devices. With any Encelium X system design, you get a reliable, lighting control system that can be installed quickly and easily.

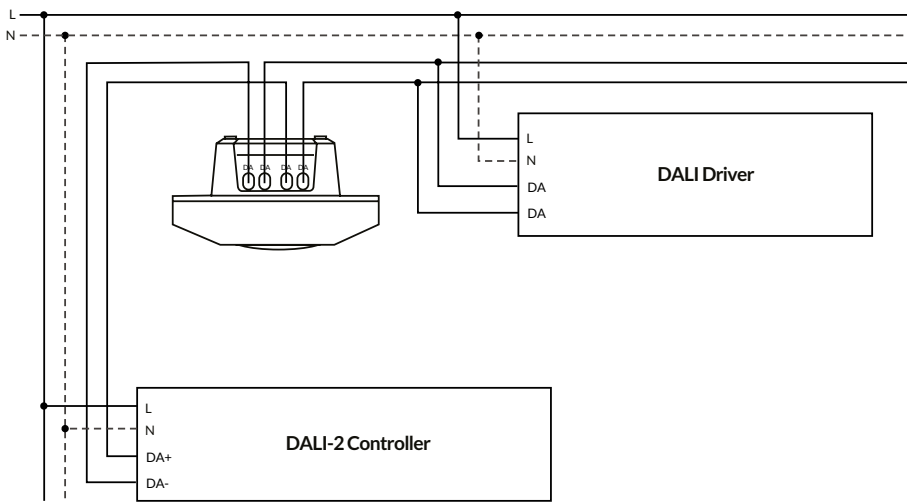


Wiring Diagrams

DALI-2 LS PD O CI Wiring

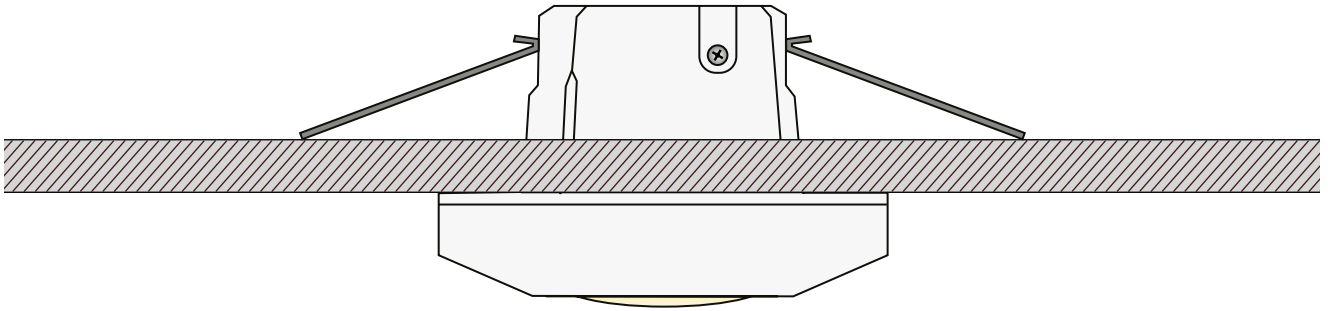


DALI-2 LS PD O CI Wiring Diagram



Mounting Option

Ceiling Integration



Surface-Mount (Optional Mounting Adapter Kit)

