

DALI-2 LS PD HB LI Sensor

High-Bay Luminaire Integrated Sensor

Date: _____

Quantity: _____

Company: _____

Project: _____



The Encelium **DALI-2 LS PD HB LI Sensor** utilizes Passive Infrared (PIR) and Photo sensors to provide occupancy and light information.

The compact IP20 rated housing and a detection area optimized for installation heights up to 17 m (56 ft), make this sensor ideal for industrial and high-bay applications.

The DALI-2 LS PD HB LI Sensor is DALI-2 certified and communicates with the Encelium Wired Manger – DALI, a key component of the Encelium X Lighting Control System.

Works with

- Encelium X
 - ▶ DALI-2 Wired



Key Features & Benefits

- Designed for luminaire integration
- Mounting height up to 17 m (56 ft) makes this ideal for high-bay applications
- Compact design easily integrates into a luminaire housing
- DALI-2 certification

DALI-2 LS PD HB LI Specifications

SENSING AND CONTROL

Sensing

- Passive Infrared (PIR) Sensor
- Photo Sensor

Light Sensor Operating Range

- Up to 1,500 lux (measured at sensor)

Control

- DALI-2 Communication

ELECTRICAL

Input Voltage

- 16 VDC

Current

- 8 mA

Startup Time

- 600 ms maximum

DALI to Mains

- Basic insulation, uses wires suitable for mains voltage

ENVIRONMENTAL

Ambient Temperature

- -20° to 45°C (-4° to x°F)

Case Temperature

- 45°C (x°F) maximum
- 110°C (230°F) maximum fault condition

Storage Temperature

- -25° to 45°C (-13° to x°F)

Relative Humidity

- 5% to 85% non-condensing

PHYSICAL

Dimensions (H x D)

- 57 x Ø 37 mm (2.4 x Ø 1.4 inches)

Weight

- 74 g (2.6 oz)

Housing Color

- White

Housing Material

- Plastic/Metal

Mounting Options

- High-Bay Luminaire Integration

Mounting Height

- 4 to 14 m (13.1 to 46 ft)

Wire Diameter

- 0.25 to 0.75 mm² (0.01 to 0.03 inches²) single core

Expected Lifetime

- >50,000 h lifetime at t_a = 50°C (122°F)

WARRANTY

- For warranty details, refer to the full warranty documentation at encelium.com

CERTIFICATIONS & SAFETY

Approbations

- CE
- DALI-2 Certified

Complies with Electromagnetic Compatibility (EMC) Standards:

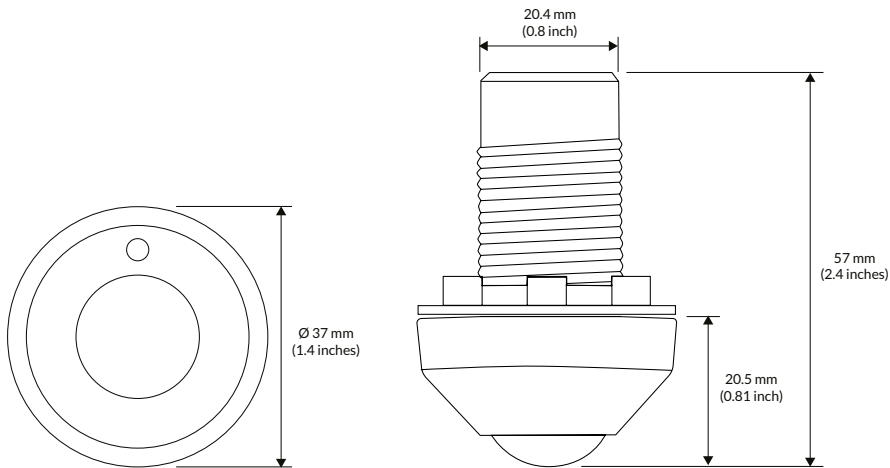
- EN 55015
- EN 61347-1
- EN 61347-2-11
- EN 61547
- EN 62386-101
- EN 62386-103
- EN 62386-303
- EN 62386-304
- EN IEC 63000

Environmental Suitability

- IP20, Indoor Use



Dimensions

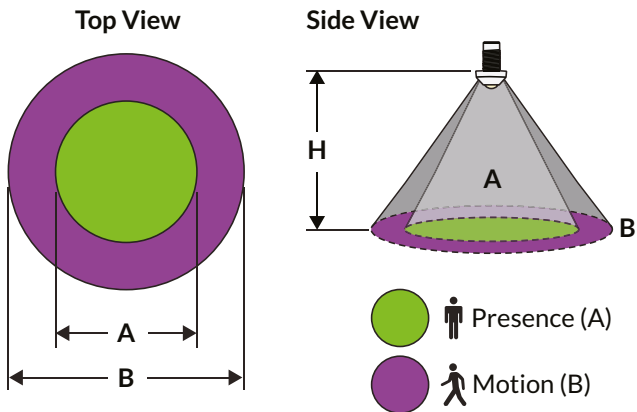


Ordering Information

Ordering Code	Description	Approbation	Communication Network
4052899630482	DALI-2 LS PD HB LI Sensor	CE	DALI-2

Sensor Coverage

Coverage Area

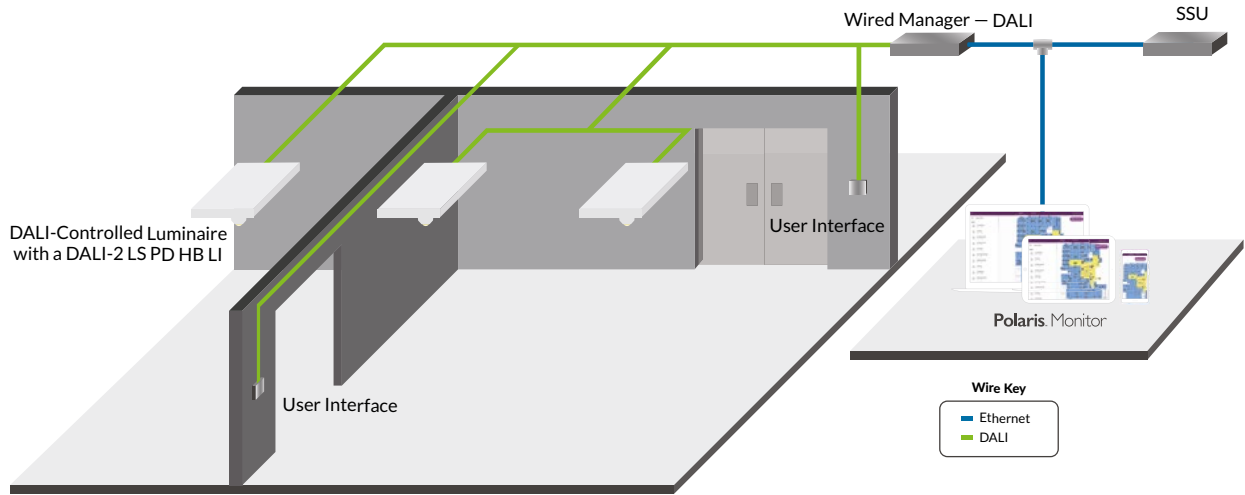


Sensor Detection Range

Detection Type	Mounting Height			
	8 m (26.2 ft)	12 m (39.4 ft)	14 m (46 ft)	17 m (56 ft)
Presence	–	–	–	–
Motion	8.5 m (28 ft)	12.7 m (42 ft)	14.8 m (48.5 ft)	18 m (59 ft)

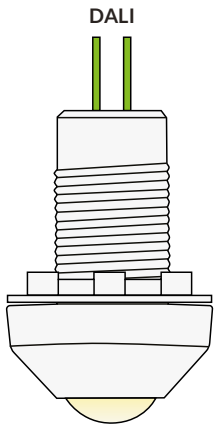
Wired System Overview

Encelium X enables you to control DALI devices. With any Encelium X system design, you get a reliable, lighting control system that can be installed quickly and easily.

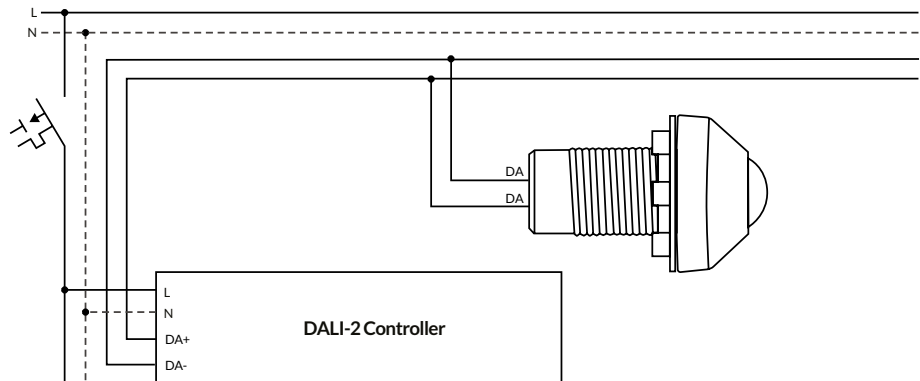


Wiring Diagrams

DALI-2 LS PD HB LI Wiring



DALI-2 LS PD HB LI Wiring Diagram



Mounting Option

High-Bay Luminaire Integration



Copyright © 2022 Digital Lumens, Incorporated. All rights reserved. Digital Lumens, the Digital Lumens logo, We Generate Facility Wellness, SiteWorx, LightRules, Lightelligence, Encelium, the Encelium logo, Polaris, GreenBus and any other trademark, service mark, or tradename (collectively "the Marks") are either trademarks or registered trademarks of Digital Lumens, Inc. in the United States and/or other countries, or remain the property of their respective owners that have granted Digital Lumens, Inc. the right and license to use such Marks and/or are used herein as nominative fair use. Due to continuous improvements and innovations, specifications may change without notice.