

DALI-2 LS PD HB CM Sensor

High-Bay Ceiling Mount Sensor

Date: _____

Quantity: _____

Company: _____

Project: _____



The Encelium **DALI-2 LS PD HB CM Sensor** provides occupancy information using passive infrared (PIR).

The compact IP54 rated housing and a detection area optimized for installation heights up to 14 m (46 ft), make this sensor ideal for industrial and high-bay applications.

The DALI-2 LS PD HB CM Sensor is DALI-2 certified and communicates with the Encelium Wired Manger – DALI, a key component of the Encelium X Lighting Control System.

Works with

- Encelium X
 - ▶ DALI-2 Wired



Key Features & Benefits

- Designed for surface mounting
- IP54 housing and mounting height up to 14 m (46 ft) make this ideal for high-bay applications
- Easily adapts to ceiling integration with the use of optional Mounting Adapter Kit
- DALI-2 certification

DALI-2 LS PD HB CM Specifications

SENSING AND CONTROL

Sensing

- Passive Infrared (PIR)Sensor

Control

- DALI-2 Communication

ELECTRICAL

Input Voltage

- 16 VDC

Current

- 8 mA

Startup Time

- 600 ms maximum

DALI to Mains

- Galvanic isolation, uses wires suitable for mains voltage

ENVIRONMENTAL

Ambient Temperature

- -20° to 45°C (-4° to 113°F)

Case Temperature

- 45°C (113°F) maximum
- 110°C (230°F) maximum fault condition

Storage Temperature

- -25° to 45°C (-13° to 113°F)

Relative Humidity

- 5% to 85% non-condensing

PHYSICAL

Dimensions (H x D)

- 69 x Ø 105 mm (2.7 x Ø 4.1 inches)

Weight

- 130 g (4.6 oz)

Housing Color

- White

Housing Material

- Plastic/Metal

Mounting Options

- Surface-Mount
- Ceiling Integration (Optional Mounting Adapter Kit)

Mounting Height

- 4 to 14 m (13.1 to 46 ft)

Wire Diameter

- 1 to 2.5 mm² (25.4 to 63.5 inches²), H05VV-F/H05RN-F

Expected Lifetime

- >50,000 h lifetime at t_a = 50°C (122°F)

WARRANTY

- For warranty details, refer to the full warranty documentation at encelium.com

CERTIFICATIONS & SAFETY

Approbations

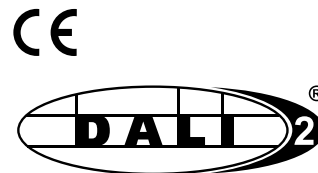
- CE
- DALI-2 Certified

Complies with Electromagnetic Compatibility (EMC) Standards:

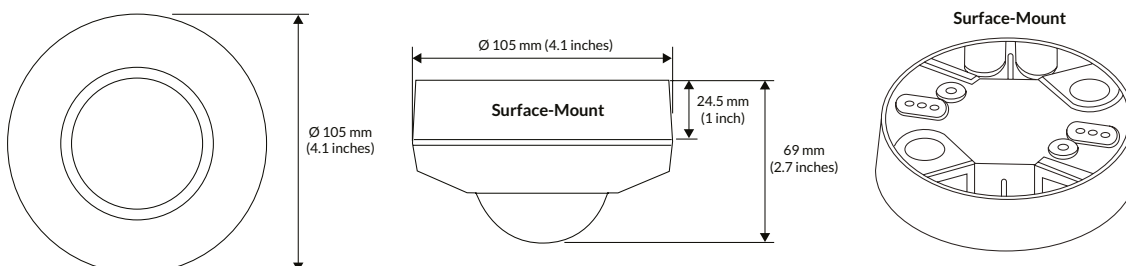
- EN 55015
- EN 61347-1
- EN 61347-2-11
- EN 61547
- EN 62386-101
- EN 62386-103
- EN 62386-303
- EN IEC 63000

Environmental Suitability

- IP54



Dimensions



Mounting Adapter Kit Specifications

PHYSICAL

Dimensions (H x D)

- 43.5 x Ø 66 mm (1.7 x Ø 2.6 inches)

Housing Color

- White

Housing Material

- Plastic

Mounting Option

- Ceiling Integration

WARRANTY

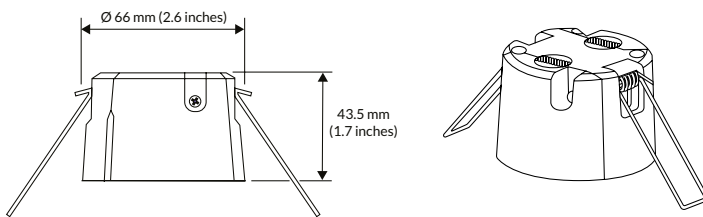
- For warranty details, refer to the full warranty documentation at encelium.com

CERTIFICATIONS & SAFETY

Environmental Suitability

- IP20, Indoor Use

Dimensions

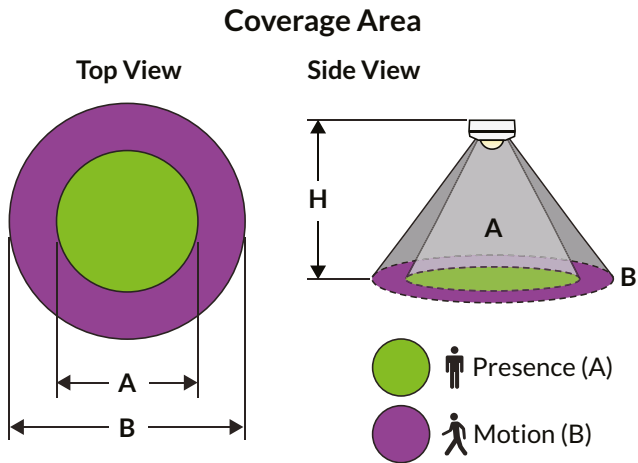


Ordering Information

Ordering Code	Description	Approbation	Communication Network
4052899630475	DALI-2 LS PD HB CM Sensor	CE	DALI-2
4062172161466	Mounting Adapter Kit*	—	—

* Mounting Adapter Kit sold separately.

Sensor Coverage

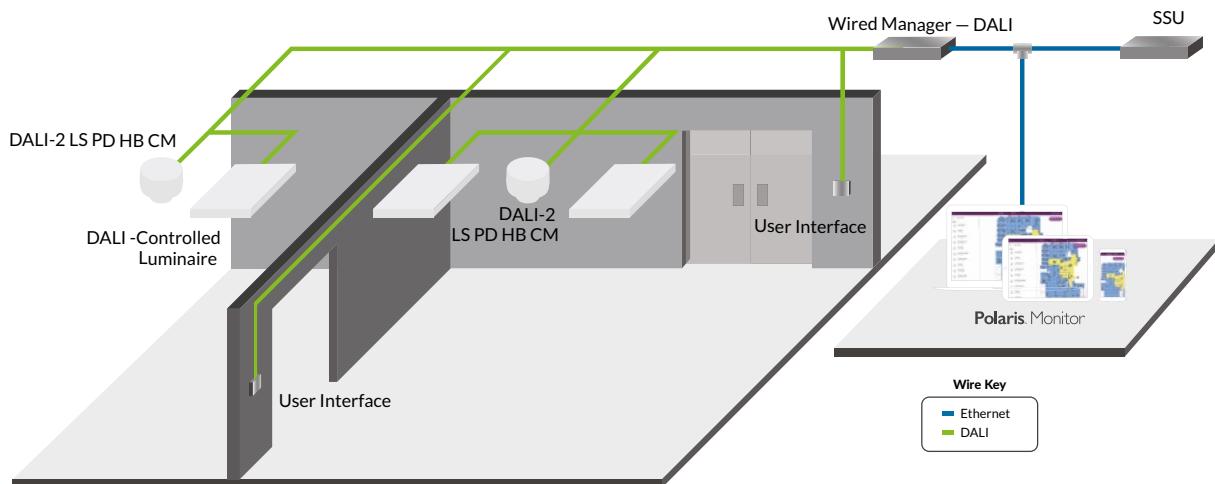


Sensor Detection Range

Detection Type	Mounting Height			
	4 m (13.1 ft)	6 m (20 ft)	10 m (33 ft)	14 m (46 ft)
Presence	4 m (13.1 ft)	5 m (x ft)	6 m (20 ft)	14 m (46 ft)
Motion	9 m (29.5 ft)	12 m (39.4 ft)	15 m (49.2 ft)	21 m (69 ft)

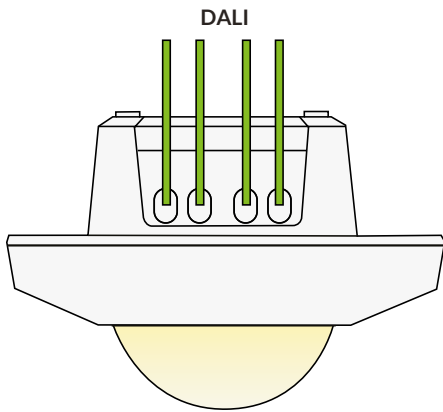
Wired System Overview

Encelium X enables you to control DALI devices. With any Encelium X system design, you get a reliable, lighting control system that can be installed quickly and easily.

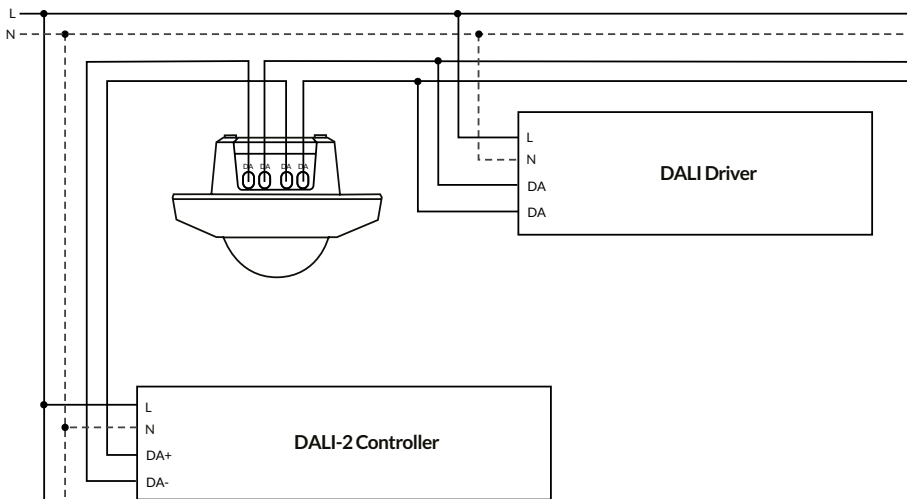


Wiring Diagrams

DALI-2 LS PD HB CM Wiring

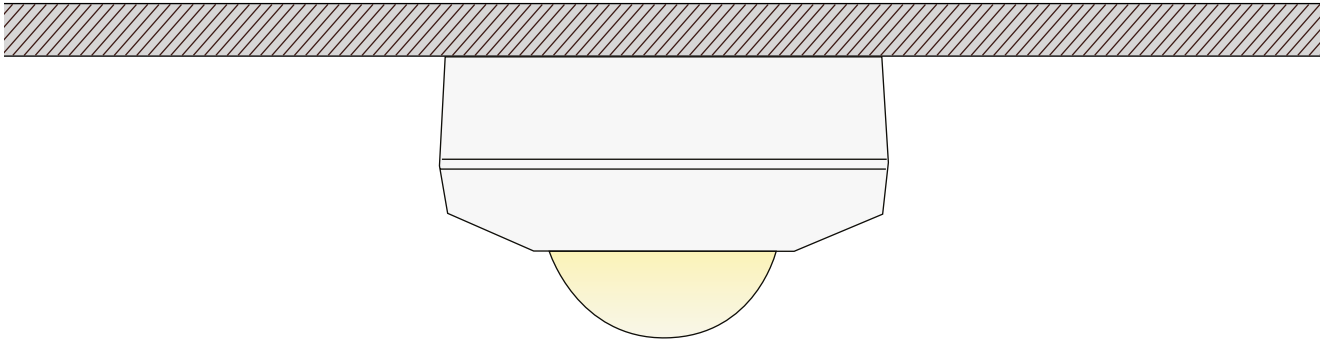


DALI-2 LS PD HB CM Wiring Diagram



Mounting Options

Surface-Mount



Ceiling Integration (Optional Mounting Adapter Kit)

