

DALI-2 LS PD C CI Sensor

Corridor Ceiling Integrated Sensor

Date: _____

Quantity: _____

Company: _____

Project: _____



The Encelium **DALI-2 LS PD C CI Sensor** utilizes Passive Infrared (PIR) and Photo Sensors to provide occupancy and light information.

The compact IP20 rated housing and a wide detection, up to 40 m (131.2 ft), area make this sensor ideal for corridor applications.

The DALI-2 LS PC CI Sensor is DALI-2 certified and communicates with the Encelium Wired Manger – DALI, a key component of the Encelium X Lighting Control System.

Works with

- Encelium X
 - ▶ DALI-2 Wired



Key Features & Benefits

- Optimized for corridor applications with a wide detection range of up to 40 m (131.2 ft)
- Designed for easy ceiling integration with the attached mounting clip
- Mounting height up to 4 m (13.1 ft)
- Easily adaptable to surface mounting with the use of the optional Mounting Adapter Kit
- DALI-2 certification

DALI-2 LS PD C CI Specifications

SENSING AND CONTROL

Sensing

- Passive Infrared (PIR) Sensor
- Photo Sensor

Light Sensor Operating Range

- Up to 1,500 lux (measured at sensor)

Control

- DALI-2 Communication

ELECTRICAL

Input Voltage

- 16 VDC

Current

- 8 mA

Startup Time

- 600 ms maximum

DALI to Mains

- Galvanic isolation, uses wires suitable for mains voltage

ENVIRONMENTAL

Ambient Temperature

- -20° to 45°C (-4° to 113°F)

Case Temperature

- 45°C (113°F) maximum
- 110°C (230°F) maximum fault condition

Storage Temperature

- -25° to 45°C (-13° to 113°F)

Relative Humidity

- 5% to 85% non-condensing

PHYSICAL

Dimensions (H x D)

- 81.5 x Ø 105 mm (3.2 x Ø 4.1 inches)

Weight

- 120 g (4.2 oz)

Housing Color

- White

Housing Material

- Plastic/Metal

Mounting Options

- Ceiling Integration
- Surface-Mount (Optional Mounting Adapter Kit)

Mounting Height

- 2 to 4 m (6.6 to 13.1 ft)

Wire Diameter

- 1 to 2.5 mm² (25.4 to 63.5 inches²), H05VV-F/H05RN-F

Expected Lifetime

- >50,000 h lifetime at t_a = 50°C (122°F)

WARRANTY

- For warranty details, refer to the full warranty documentation at encelium.com

CERTIFICATIONS & SAFETY

Approbations

- CE
- DALI-2 Certified

Complies with Electromagnetic Compatibility (EMC) Standards:

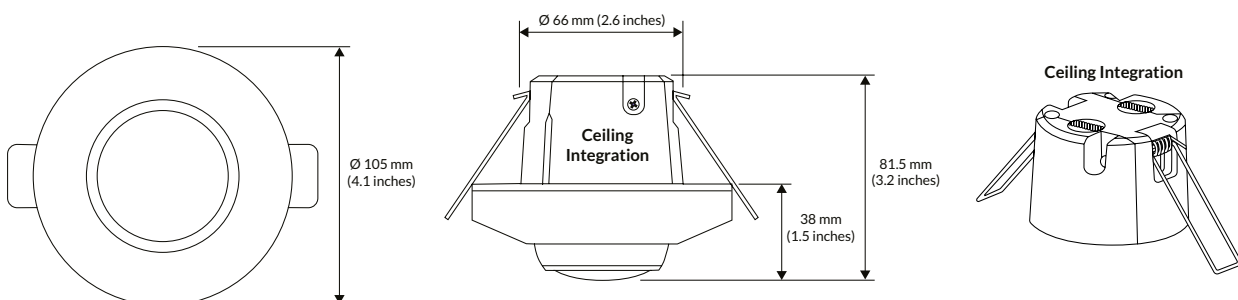
- EN 55015
- EN 61347-1
- EN 61347-2-11
- EN 61547
- EN 62386-101
- EN 62386-103
- EN 62386-303
- EN 62386-304
- EN IEC 63000

Environmental Suitability

- IP20, Indoor Use



Dimensions



Mounting Adapter Kit Specifications

PHYSICAL

Dimensions (H x D)

- 24.5 x Ø 105 mm (1 x Ø 4.1 inches)

Housing Color

- White

Housing Material

- Plastic

Mounting Option

- Surface-Mount

WARRANTY

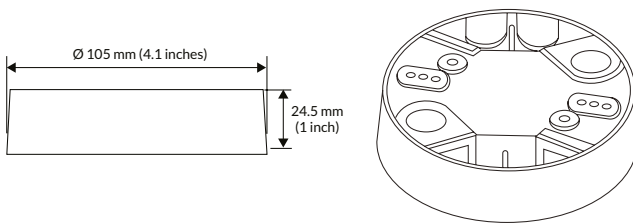
- For warranty details, refer to the full warranty documentation at encelium.com

CERTIFICATIONS & SAFETY

Environmental Suitability

- IP54

Dimensions

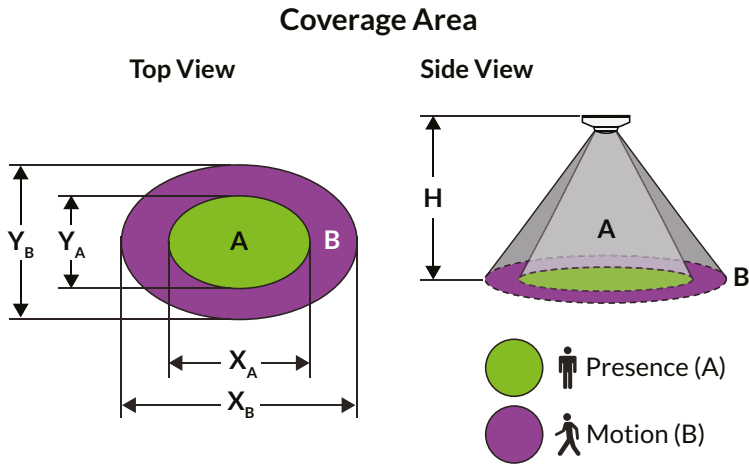


Ordering Information

Ordering Code	Description	Approbation	Communication Network
4052899630451	DALI-2 LS PD C CI Sensor	CE	DALI-2
4062172161466	Mounting Adapter Kit*	—	—

* Mounting Adapter Kit sold separately.

Sensor Coverage

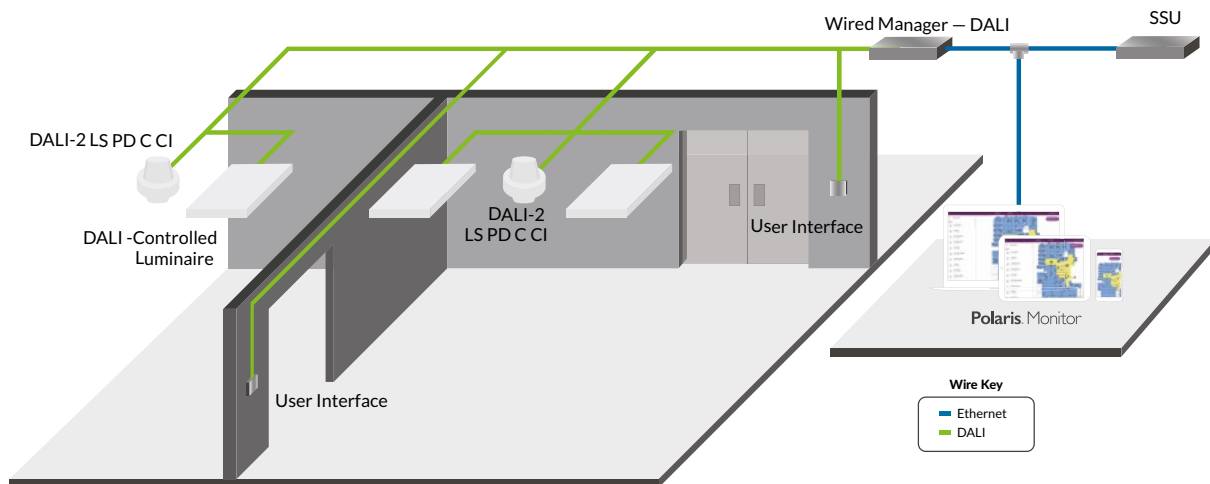


Sensor Detection Range

Detection Type	Mounting Height							
	2 m (6.6 ft)		2.5 m (8.2 ft)		3 m (10 ft)		4 m (13.1 ft)	
	X	Y	X	Y	X	Y	X	Y
Presence	12 m (39.4 ft)	3 (10 ft)	16 m (52.5 ft)	3 (10 ft)	16 m (52.5 ft)	3 (10 ft)	—	—
Motion	32 m (105 ft)	4 m (13.1 ft)	40 m (131.2 ft)	5 m (16.4 ft)	40 m (131.2 ft)	5 m (16.4 ft)	40 m (131.2 ft)	5 m (16.4 ft)

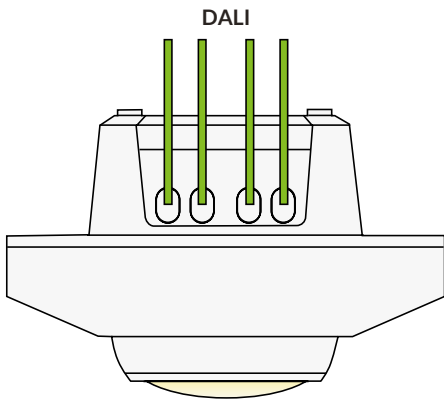
Wired System Overview

Encelium X enables you to control DALI devices. With any Encelium X system design, you get a reliable, lighting control system that can be installed quickly and easily.

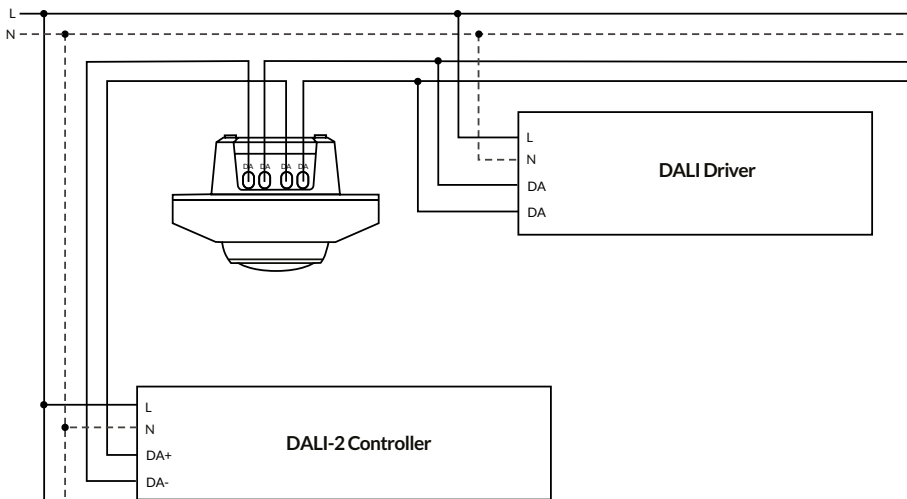


Wiring Diagrams

DALI-2 LS PD C CI Wiring

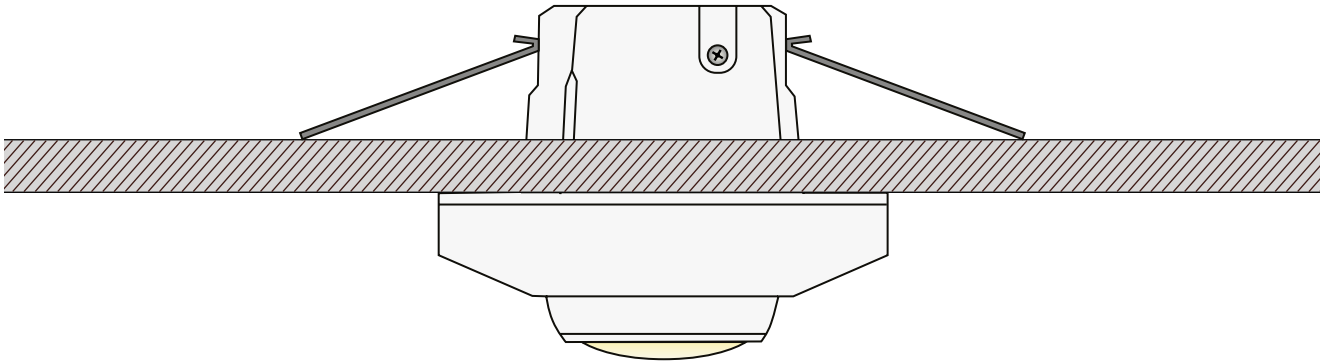


DALI-2 LS PD C CI Wiring Diagram



Mounting Option

Ceiling Integration



Surface-Mount (Optional Mounting Adapter Kit)

