

Wired Manager – DALI

Encelium X DALI Controller

Date: _____

Quantity: _____

Company: _____

Project: _____



The Encelium X **Wired Manager – DALI** provides individual control of lighting, allowing you to schedule, allocate, and manage light in a resource-efficient and practical way.

The Wired Manager – DALI provides daylight-dependent and presence-dependent control of lighting, along with intelligent scheduling, task-related lighting, variable load distribution, real-time light control, analysis of energy consumption, and lamp failure indication.

The Wired Manager – DALI is convenient to use. It makes remote maintenance possible via web access and provides comprehensive DALI lighting control that is easily integrated into building management systems.

Works with

- Encelium X

▶ DALI Wired    

Key Features & Benefits

- Enables the scaling of system implementations of any size
- Hybrid System – can be combined with the Encelium Wireless Manager to allow a wired and wireless system design
- Controls up to 256 DALI inputs and outputs per manager
- Supports the latest version of the DALI protocol
- LED function status displays for power, DALI line, errors, and more
- Installation mode setting allows select function testing of each DALI channel

Wired Manager – DALI Specifications

SENSING AND CONTROL

Control

- DALI Communication

Control Options

- Manual Channel Control – On/Off/Dimming
- DALI standard (IEC 62386)
- 2X Ethernet Port, RJ45 connections
- Built-in network switch for daisy-chaining
- 4x DALI Channel up to 64 DALI luminaires and 64 Input Devices (subject to current limits)

LED Displays

- Power
- 4X DALI line status LED
- Manual
- Error
- Online
- Ethernet IN and OUT

ELECTRICAL

Power Consumption

- 22 W maximum
- Power Up Time – 20 sec

Input Voltage

- 24 VDC

DALI Output

- 4X DALI Channels¹, 220 mA; current limit per DALI line must not be exceeded

ENVIRONMENTAL

Operating Temperature

- 0° to 40°C (32° to 104°F)

PHYSICAL

Dimensions (H x W x D)

- 63 x 160 x 90 mm (2.5 x 6.3 x 3.5 inches)

Weight

- 350 g (12.3 oz)

Housing Color

- Gray

Housing Material

- Plastic

Mounting Option

- DIN Rail Mount

Cable Wires

- Stranded – Ø 0.5 to 1.5 mm²
- Solid – Ø 0.5 to 2.5 mm²

WARRANTY

- Standard warranty is in effect for a period of five (5) years from the date of shipment.³

CERTIFICATIONS & SAFETY

Approbations

- CE, UK CA, UL⁴
- DALI 2² – IEC62386 Parts 101,103

Electrical

- Type 1.C Action
- Impulse Voltage – 330V

Environmental Suitability

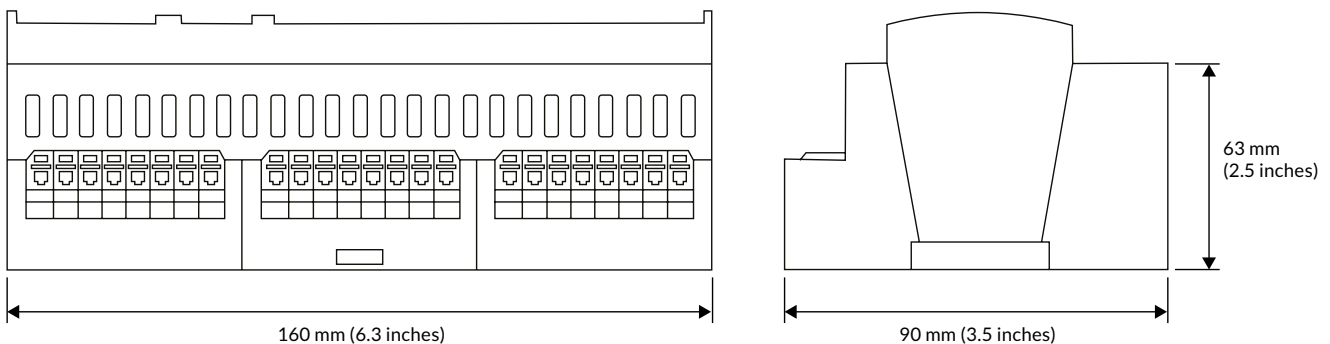
- IP20, Indoor
- Pollution Degree – 2

Complies with Electromagnetic Compatibility (EMC) Standards:

- EN 55022 (Emission)
- EN 55024
- EN 50581 (Hazardous Substances)
- EN 60950 (Safety)
- EN 61000



Dimensions



Footnote:

¹ Maximum wire length 300 m (984 ft).

² This device does not support identification by means of an LED, buzzer, or other emitter

³ This does not apply to: (1) damage caused by accident, mishandling, or dropping; (2) materials which have been subject to unauthorized repair; (3) materials not used in accordance with instructions; (4) ordinary wear and tear.

⁴ Purpose of Control: Electronic Lighting Control (non-safety related).

DALI Power Supply Specifications

ELECTRICAL

Power Supply Input

- 100 to 240 VAC, 50/60 Hz, 0.7A @ 120V / 0.35A @ 230V

Power Supply Output

- 24V, 1.3A

ENVIRONMENTAL

Operating Temperature

- 20° to 70°C (68° to 158°F)

PHYSICAL

Dimensions (H x W x D)

- 57.5 x 90 x 54 mm (2.3 x 3.5 x 2.12 inches)

Weight

- 0.17 kg (6 oz)

Housing Color

- Gray

Housing Material

- Plastic

Mounting Option

- DIN Rail Mount

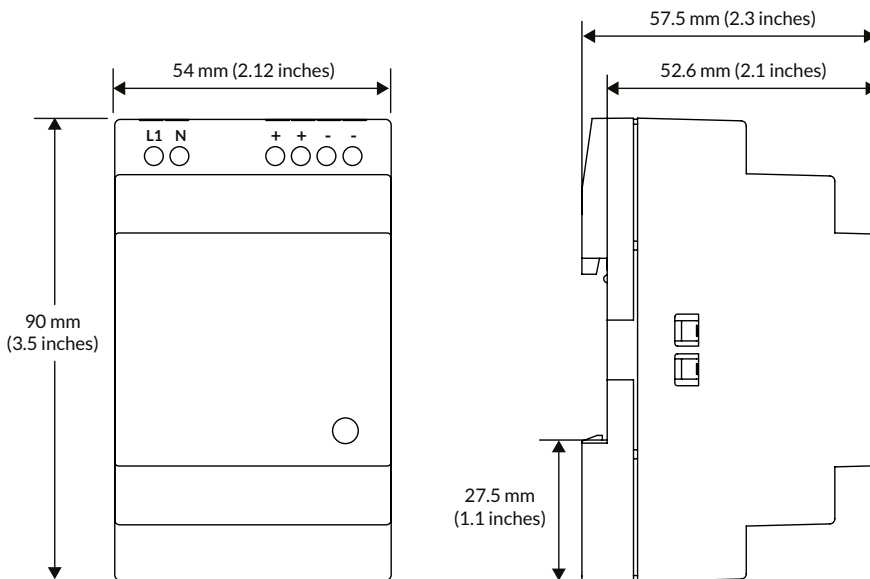
CERTIFICATIONS & SAFETY

Approbations

- cUL/UL Listed
- CE
- CSA
- NEC Class 2



Dimensions



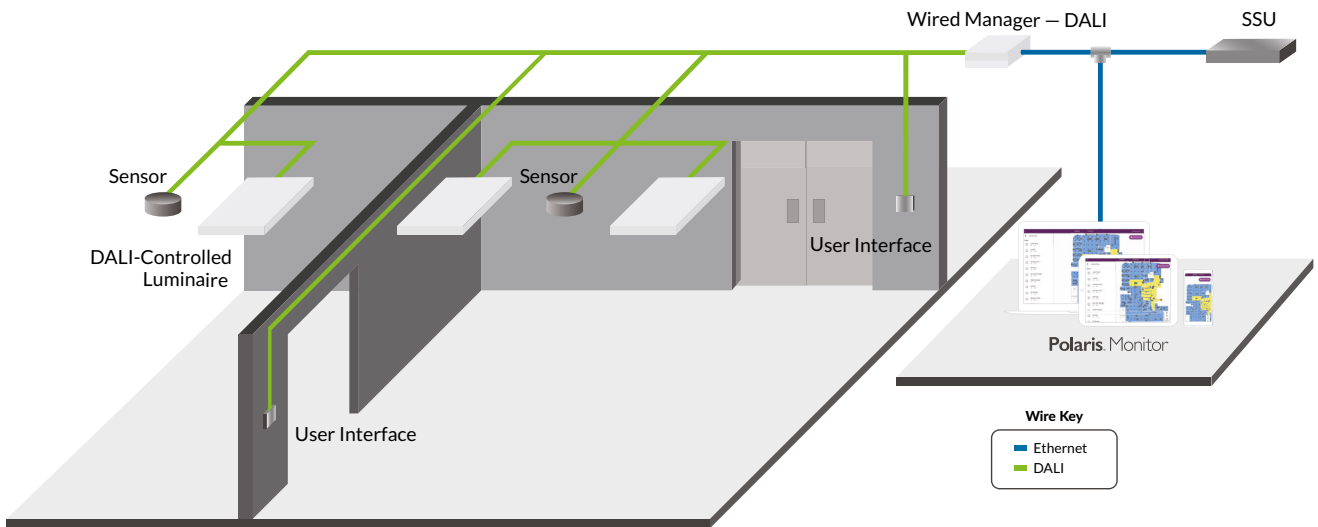
Ordering Information

Catalog #	Description	Approbations	Communication Network
EN-M-DALI2-X	Wired Manager – DALI	CE	DALI
6EP1331-1SH03	DALI Power Supply*	UL and CE	–
PS-30	DALI Power Supply* (CE Regions Only)	CE	–

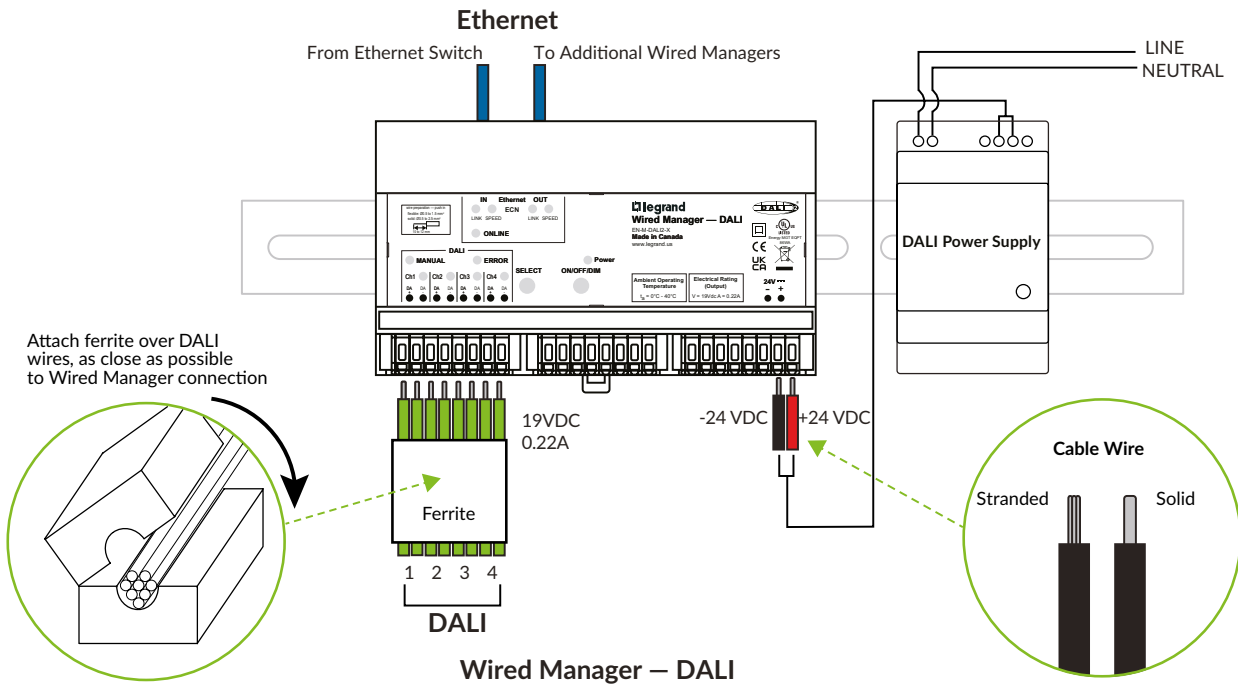
* DALI Power Supply is sold separately.

Wired System Overview

Encelium X enables you to control DALI devices. With any Encelium wired design, you get a reliable, lighting control system that can be installed quickly and easily.



Wiring Diagram



Mounting Option

DIN Rail Mount

