

SSU

System Support Unit



The System Support Unit (SSU) is a key component in an Encelium X Lighting Control System. It hosts the Polaris software giving Facility Managers and Building Operators the ability to monitor and maintain their Encelium system. It enables them to change or modify light settings, schedules and other system settings. A typical building or campus requires one SSU per site.

An Optional SSU Virtual is available for installations that want to utilize an existing network server already on-premises. Specific server and network requirements must be met to enable an SSU Virtual installation. Refer to the SSU Virtual specification sheet for details.

Date: _____

Quantity: _____

Company: _____

Project: _____

Key Features & Benefits

- Enables seamless access for facility managers to monitor, analyze and maintain the system
- Stores historical data relating to system performance like energy savings, occupancy usage
- Allows remote access for support
- Allows the end user to add additional functionality inherently built-in like BACnet® demand response and AV interface
- Stores backup of the system on a regular basis

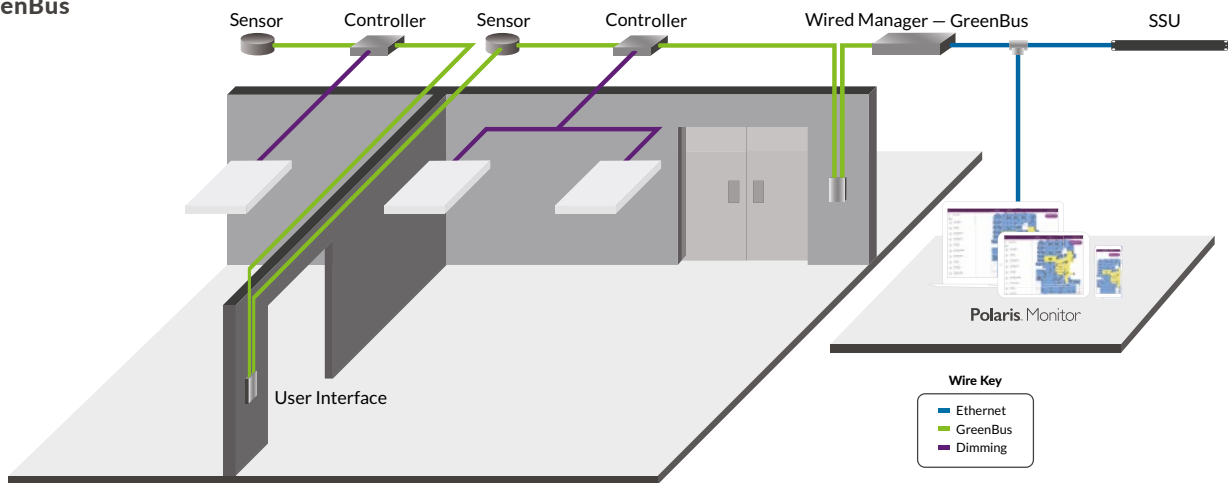
Works with

- Encelium X
 - Wireless
 - GreenBus Wired
 - DALI Wired

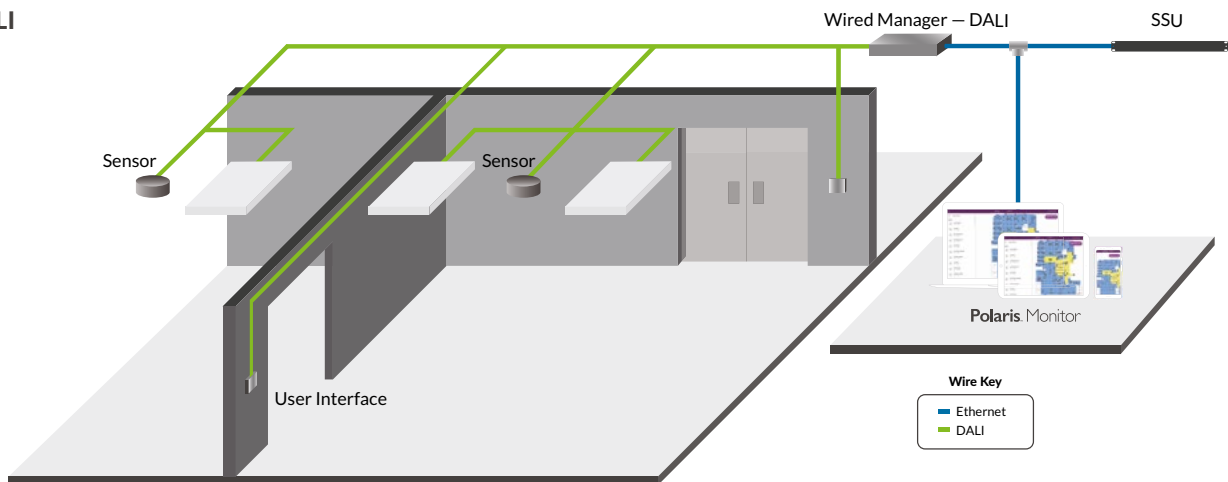
Wired System Overview

GreenBus technology makes wiring fast and error-free, since it's intuitive to install. With Encelium X, you can control DALI devices exclusively or a mixture of GreenBus and DALI.

GreenBus

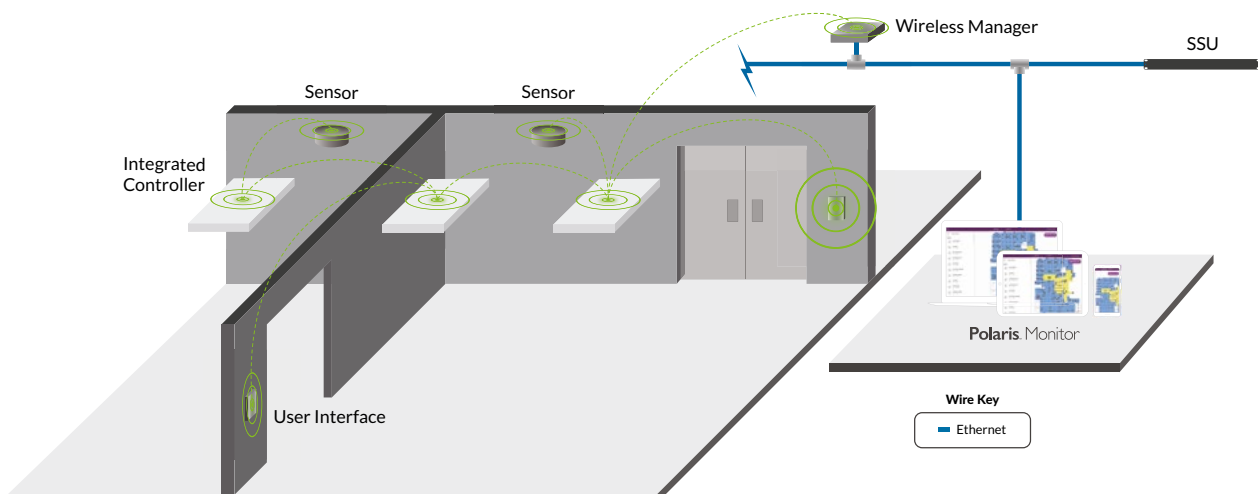


DALI



Wireless System Overview

This illustration shows how each component is easily integrated into the Encelium X Lighting Control System.



Specifications

SENSING AND CONTROL

Processor

- Multi-Core Server

PERFORMANCE

Power Consumption

- 1 x 400 W (non-redundant)

ELECTRICAL

Input Ratings

- 110/220V auto-ranging

ENVIRONMENTAL

Operating Temperature

- 10° to 35°C (50° to 95°F)

Operating Humidity

- 10 to 90%, non-condensing
- 28°C (82.4°F) maximum wet build temperature

Operating Vibration

- 3 to 200 Hz at 0.25 G maximum

Operating Shock

- 31 G at 2.6 ms maximum

PHYSICAL

Dimensions (H x W x D)

- 1U Rack with Bezel:
42.93 x 448.1 x 700 mm (1.69 x 17.64 x 27.56 inches)

Weight

- 14.3 kg (504 oz)

Housing Color

- Black

Housing Material

- Steel

Mounting Options

- Rack Mount 482.6 mm (19 inches)
- Individual Wall Mount
- Optional 4U Wall Mounted Rack

WARRANTY

- For warranty details, refer to the full warranty documentation at encelium.com

CERTIFICATIONS & SAFETY

Approbations

- UL 60950
- CE
- FCC (U.S. Only) Class A, DOC (Canada) Class A
- CAN/CSA-C22.2 No. 60950

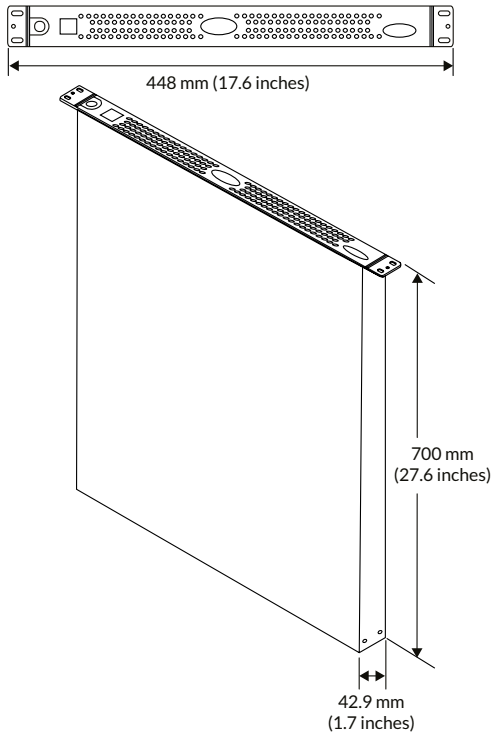


Ordering Information

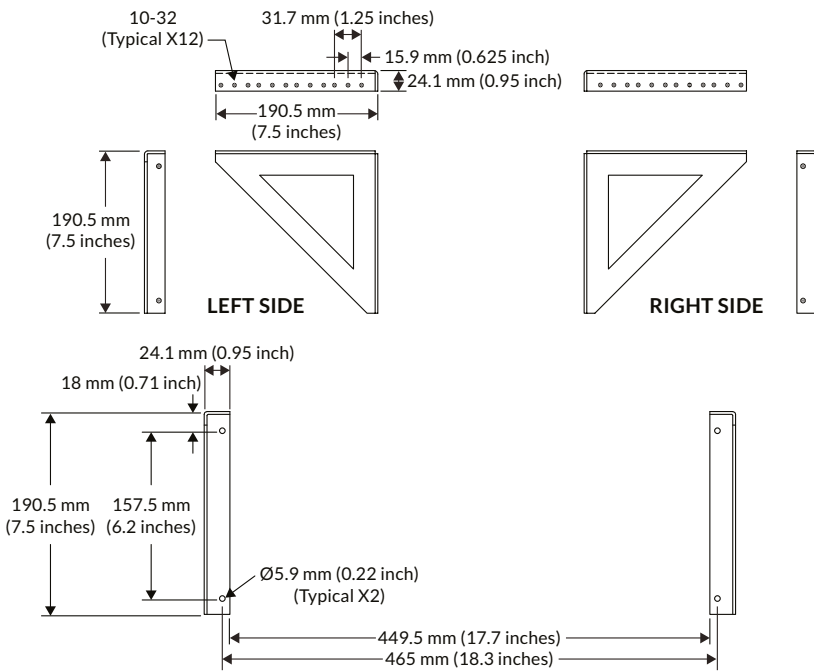
Item Number	Ordering Code	Description	Approbations	System Compatibility
56364	EN-SSU-WIN10-X	SSU Database Server	UL and CE	Encelium X
56351	EN-SSU-WIN10	SSU Database Server	UL and CE	Encelium Extend

Dimensions

SSU



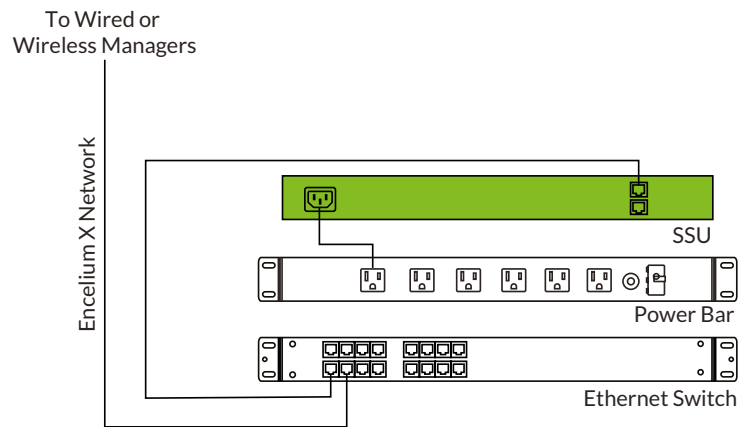
Mounting Brackets



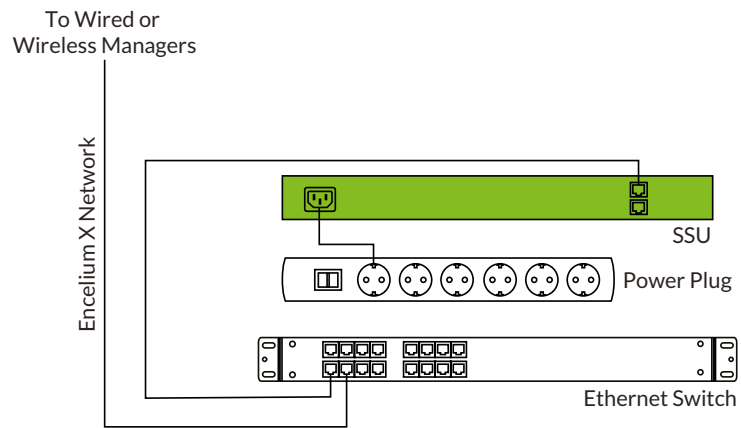
Wiring Diagram

Encelium X Ethernet connections to Wired Manager, System Support Unit, Ethernet Switch, and Tenant LAN.

GreenBus



DALI



Mounting Option

The mechanical construction allows the SSU to be attached to a 482.6 mm (19 inches) wide bracket, for simple installation on standard 482.6 mm (19 inches) IT rack (1U width).

