






PRODUCT SAFETY

When using electrical equipment, basic safety precautions should always be followed, including the following:

 **READ THESE INSTRUCTIONS BEFORE USING THIS PRODUCT.**

-  Do not let power supply cords touch hot surfaces.
-  Do not mount near gas or electric heaters.
-  Equipment should be mounted in locations and at heights where it will not readily be subjected to tampering by unauthorized personnel.
-  The use of accessory equipment is not recommended by Encelium as it may cause an unsafe condition.
-  Do not use this equipment for other than the intended use.

 **SAVE THESE INSTRUCTIONS.**

GETTING STARTED

Overview

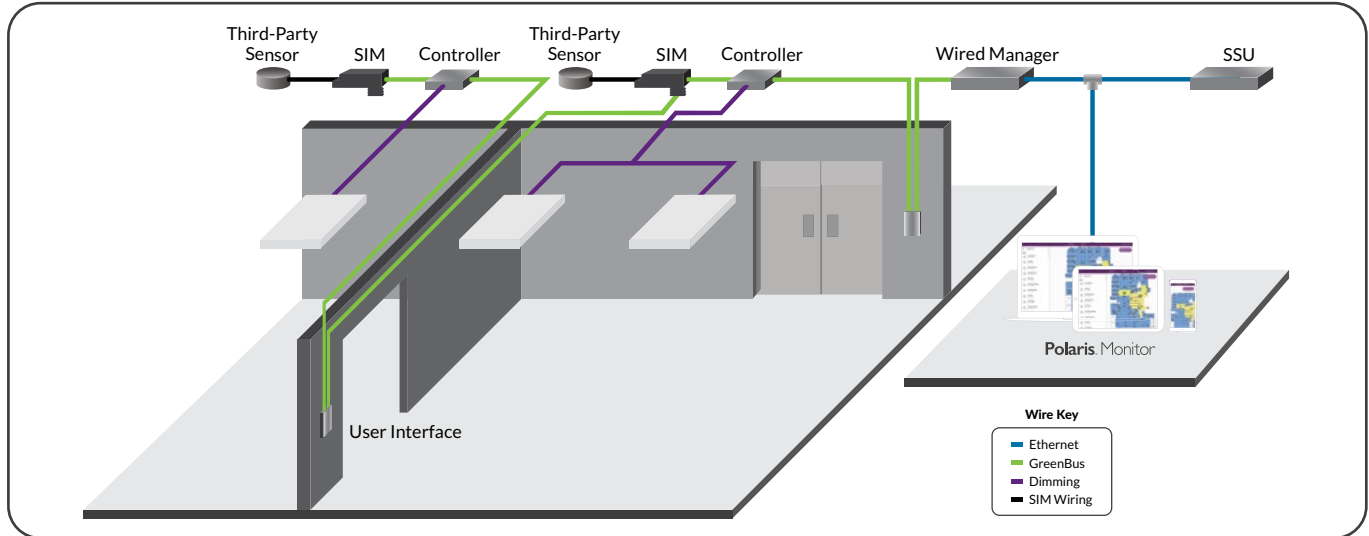
The Sensor Interface Module (SIM) provides an interface between sensors such as occupancy and photosensors to the GreenBus™ communication network. The SIM is automatically addressed as soon as it is connected to the Encelium Wired Manager.

The SIM is available in two models:

- Indoor
- Damp Rated

WIRED SYSTEM OVERVIEW

GreenBus technology makes wiring fast and error-free, since it's intuitive to install. With Encelium X, you can control DALI devices exclusively or a mixture of GreenBus and DALI.



INSTALLATION

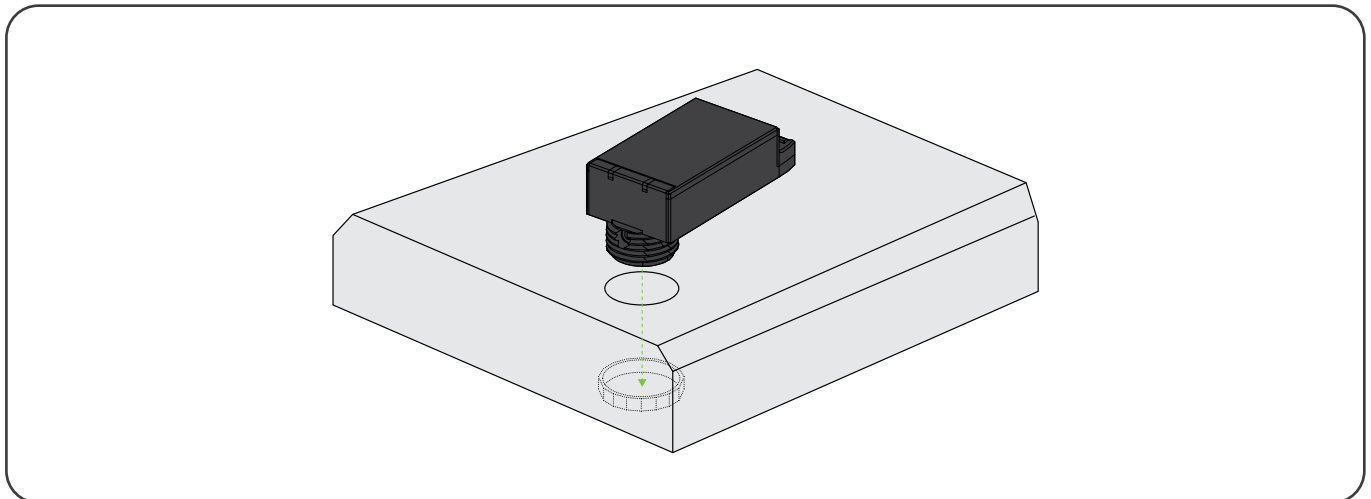
The SIM connects to LED drivers and electronic dimming, non-dimming, HID, etc., ballasts to make each individual device addressable and controllable.

Notes: The SIM is to be installed in dry, indoor locations ONLY. For damp installations, ensure to use the SIM (damp rated). Damp locations are defined as: interior locations subject to moderate degrees of moisture, such as some basements, some barns, some cold-storage warehouses, and the like, and partially protected locations under canopies, marquees, roofed open porches, and the like.

MOUNTING OPTIONS

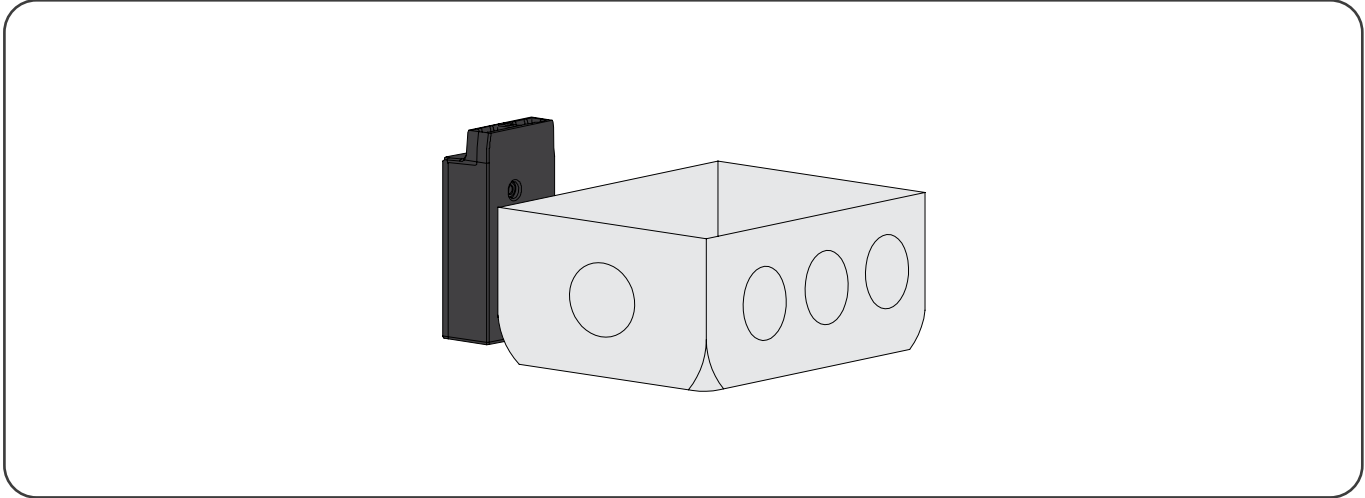
1 Option 1 – Luminaire Mount

The mechanical construction allows for simple installation of the module in an available 0.5 inch (Pg-7) trade size knock-out on top or side of a luminaire.



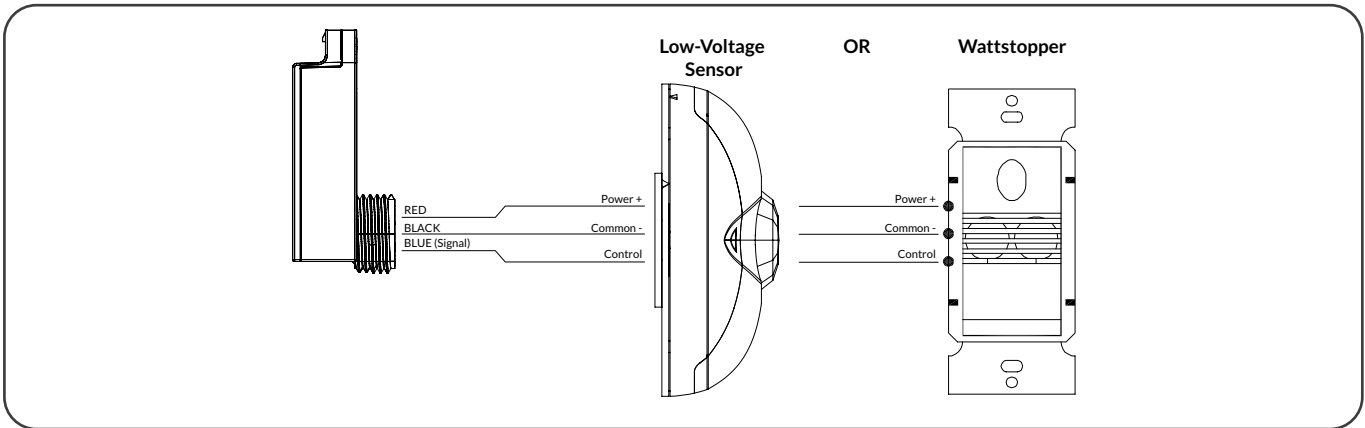
2 Option 2 – Junction Box Mount

For some installations, a junction box may be required. It is recommended to securely mount the SIM to the junction box using an available 0.5 inch (Pg-7) trade size knock-out and retainer nut.

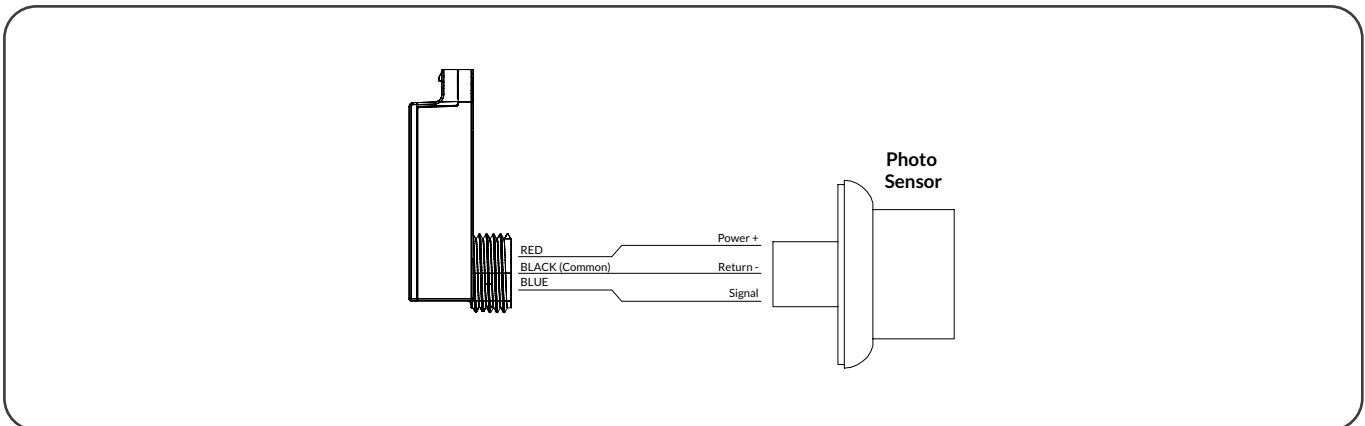


ELECTRICAL CONNECTIONS

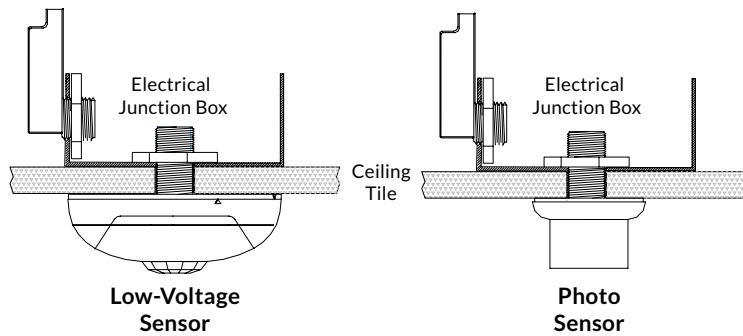
1 SIM to Low-Voltage Sensor or Wattstopper Wiring



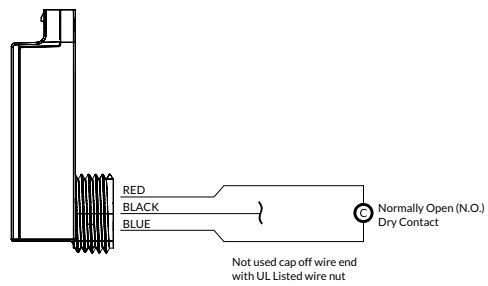
2 SIM to Photo Sensor Wiring



3 SIM to Sensor Junction Box Wiring



4 Contact Closure Wiring

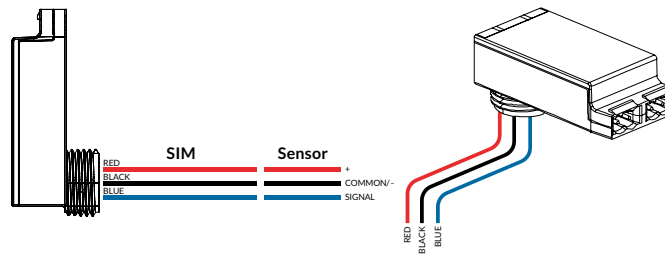


5 SIM Wiring

GreenBus communication wiring is still accessible from the outside of the luminaire, while all necessary wiring to the electronic dimming ballast is available on the inside.

The module is made from tested material to be used in plenum or “plenum rated” areas. All wiring is rated 600V, 105°C for use in luminaires.

To control a two ballast luminaire, parallel all ballast input wires (line, neutral and control wires purple and pink). It is recommended to use one module per ballast. Do not connect more than two ballasts in parallel.



- ⚠ Recommended relay switching capacity, 120-347V, 300VA maximum.
- ⚠ Due to the internal relay, power feed to luminaire may be live even if lights are off. Turn off power at circuit breaker or fuse before installing or servicing module. Observe lockout procedures.

TROUBLESHOOTING

There are no user-serviceable parts inside. For detailed information about how to set-up, install, use, and maintain Encelium hardware and software, please visit: help.encelium.com

Copyright © 2021 Digital Lumens, Incorporated. All rights reserved. Digital Lumens, the Digital Lumens logo, We Generate Facility Wellness, SiteWorx, LightRules, Lightelligence, Encelium, the Encelium logo, Polaris, GreenBus and any other trademark, service mark, or tradename (collectively "the Marks") are either trademarks or registered trademarks of Digital Lumens, Inc. in the United States and/or other countries, or remain the property of their respective owners that have granted Digital Lumens, Inc. the right and license to use such Marks and/or are used herein as nominative fair use. Due to continuous improvements and innovations, specifications may change without notice.

DOC-000438-00 Rev A 11-21

ENCELIUM

encelium.com