

PRODUCT SAFETY

When using electrical equipment, basic safety precautions should always be followed, including the following:



READ THESE INSTRUCTIONS BEFORE USING THIS PRODUCT.



Do not let power supply cords touch hot surfaces.



Do not mount near gas or electric heaters.



Equipment should be mounted in locations and at heights where it will not readily be subjected to tampering by unauthorized personnel.



The use of accessory equipment is not recommended by Encelium as it may cause an unsafe condition.



Do not use this equipment for other than the intended use.



SAVE THESE INSTRUCTIONS.

GETTING STARTED

Overview

The Phase-Cut Dimming Module (PCDM) provides an interface between the phase-cut dimmable (forward- and reverse-phase) ballasts/LED drivers and the Encelium X Lighting Control System. The PCDM is automatically addressed as soon as it is connected to the GreenBus network. Individually addressable, the PCDM enables each group or zone of fixtures to be independently controlled and configured to best meet the needs of the facility.

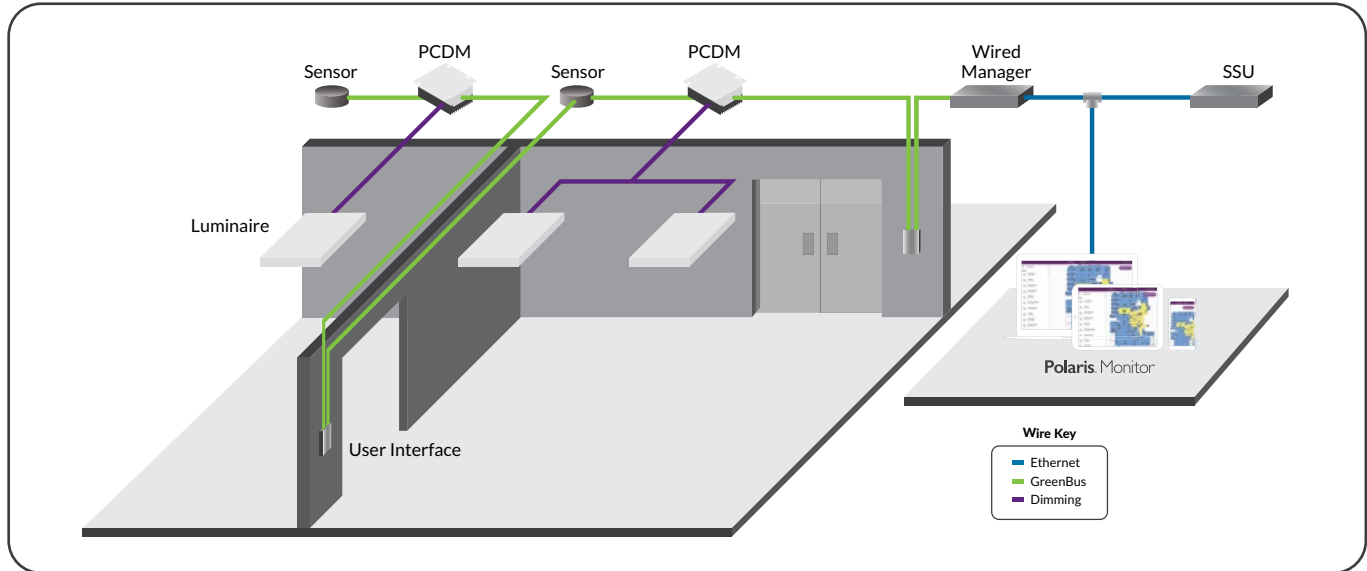
VISIT OUR HELP CENTER



For step-by-step instructions on how to test installations and gain basic lighting control, please scan the QR code.

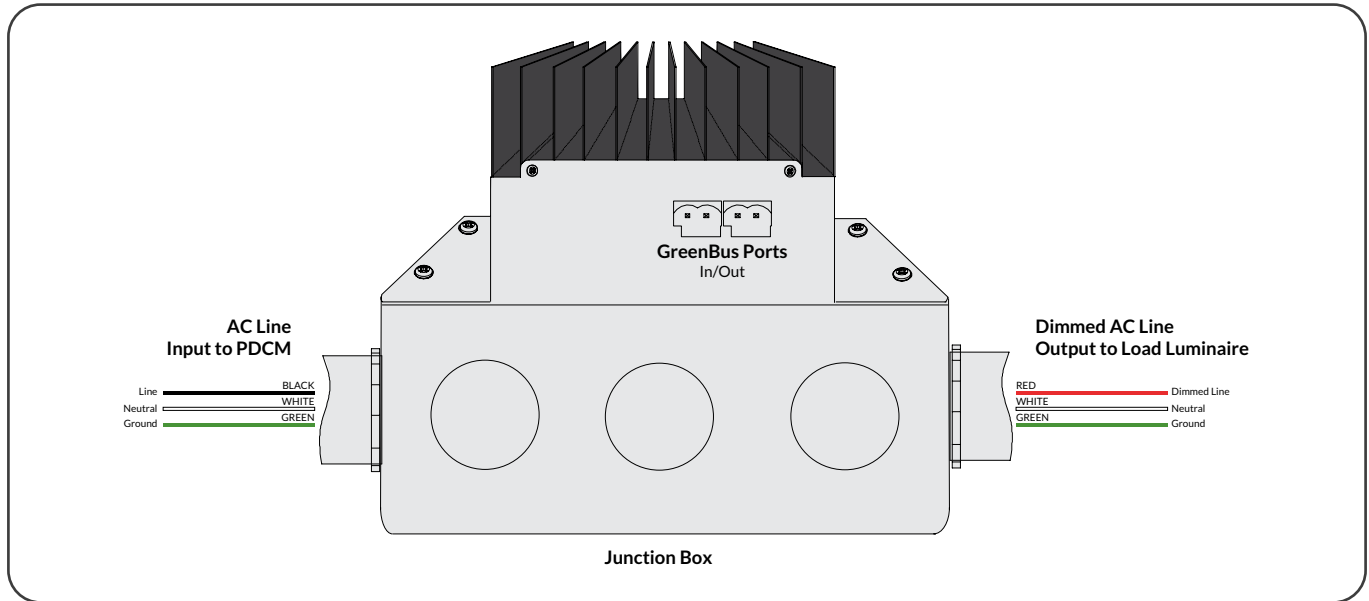
WIRED SYSTEM OVERVIEW

GreenBus technology makes wiring fast and error-free, since it's intuitive to install. With Encelium X, you can control DALI devices exclusively or a mixture of GreenBus and DALI.



INSTALLATION

- 1 The mechanical construction allows for simple installation of the PCDM on top of a standard square 4.6875 inch (119.1 mm) junction box.



Notes: The PCDM is to be installed in dry, indoor locations ONLY.

Compatible Load Types

The PCDM is compatible with incandescent/Halogen lamps and ELV LED lamps or LED drivers.

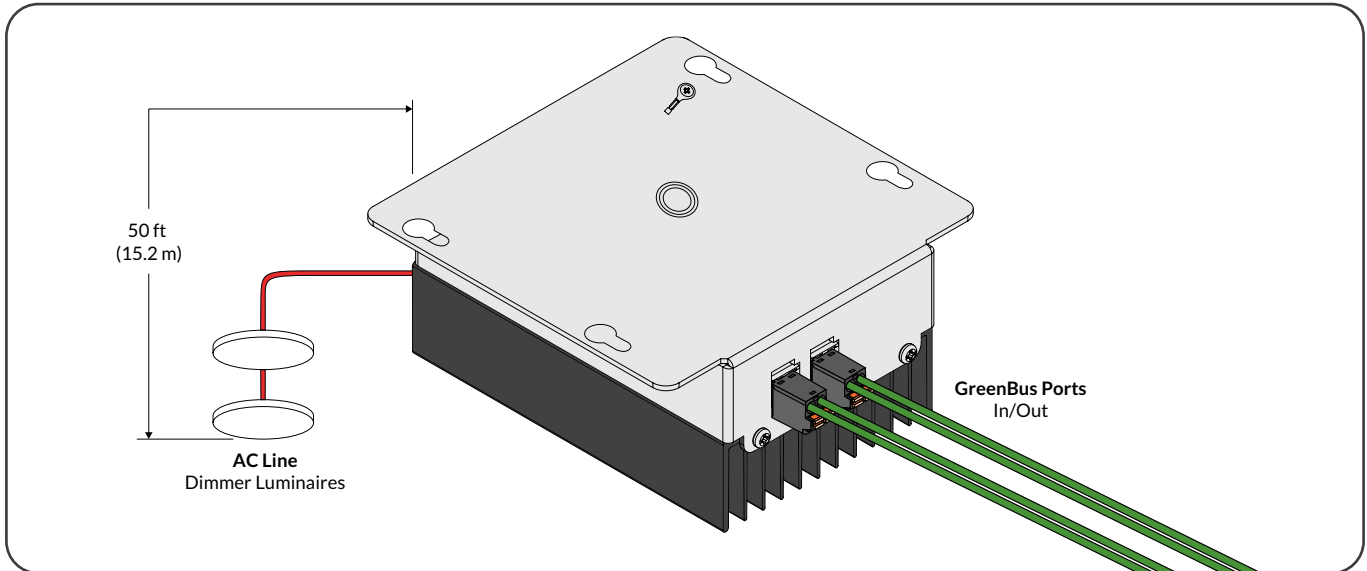
It is not compatible with ELV/MLV transformers or MLV LED drivers. The below parts are identified as incompatible loads.

Manufacturer	Item Number	Part Number/Description
Luminii	PSD Series	Class 2
Luminance	L7510-1 A19	Dimmable LED Light Bulb

2 Wire Length Consideration

The maximum combined length of the dimmed line (Red) from the PCDM to the load must be less than 50 ft (15.2 m).

For specialty applications such as chandelier, the wiring within the luminaire to the load must be accounted within the 50 ft (15.2 m) limit. Exceeding this limit can cause stress to the PCDM components and lead to failure.

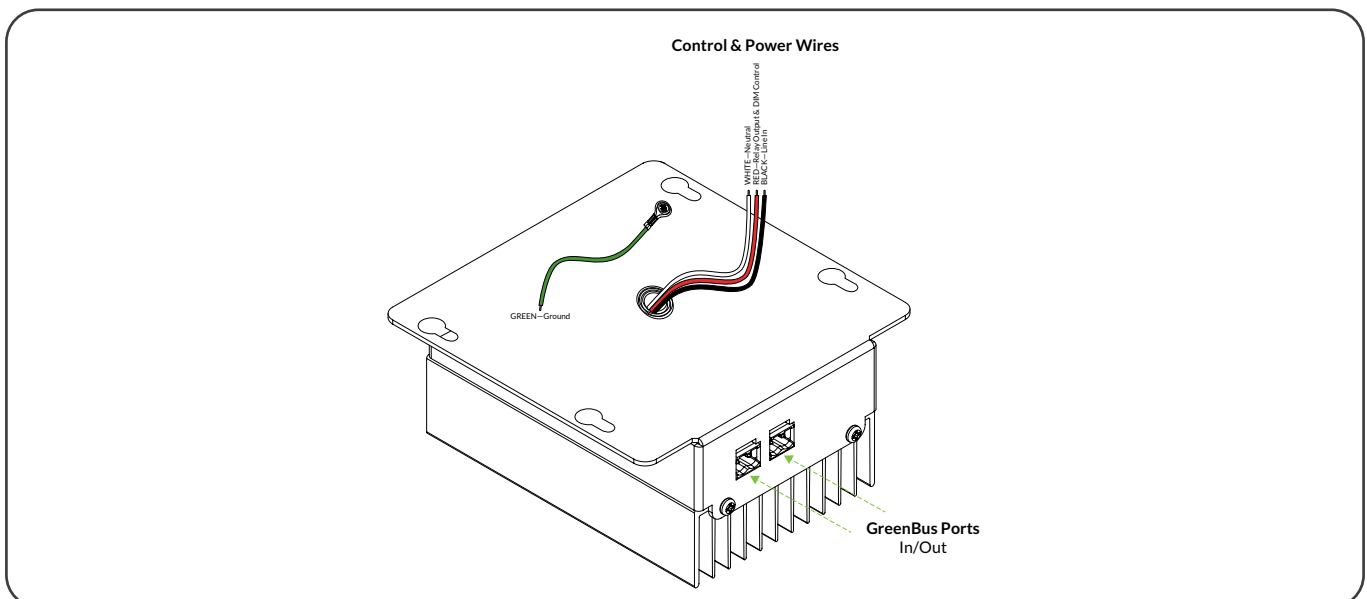


Notes: 50 ft (15.2 m) maximum distance from PCDM to the last luminaire

- ⚠ Absolute maximum load ratings: 120 VAC: 450 W, 3.8A maximum | 277 VAC: 900 W, 3.3A maximum
- ⚠ Due to the internal relay, power feed to module may be live even if lights are off. Turn off power at circuit breaker or fuse before installing or servicing module. Observe lockout procedures.

ELECTRICAL CONNECTIONS

1 PCDM Wiring



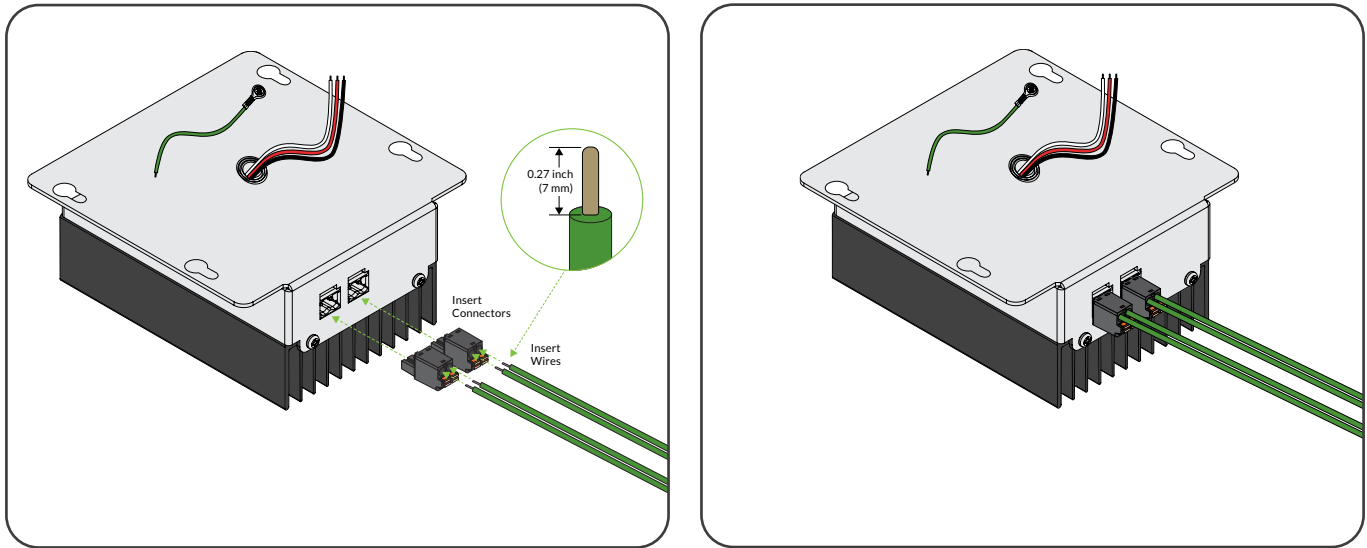
2 GreenBus

GreenBus is a low-cost, high reliability communication means to report information back to the Encelium X and Encelium Edge Lighting Control Systems.

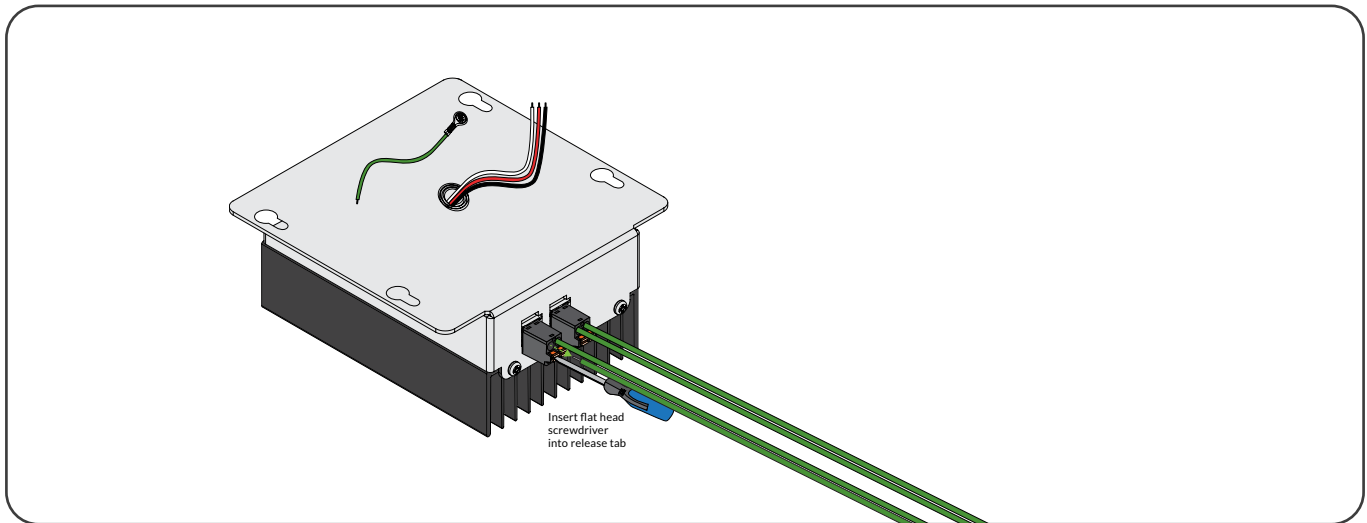
The GreenBus wiring can originate at the Wired Manager and propagates in a daisy-chain from module to module (or other compatible equipment). When tethering the GreenBus wiring can also originate from a GB port on a Wireless Area Lighting Control Module (WALC) or a Wireless Control Module (WCM).

The GreenBus wires must be used with proprietary connectors supplied. Insert the connectors to the PCDM GB ports.

⚠ GreenBus must be laid out as per supplied system layout drawing. If changes are required, determine an optimum wiring path utilizing the supplied cables, based on the position of the devices



To remove the wires, use a flat head screwdriver to release the wires from the terminal blocks.



Notes: Relay Contact; recommended relay switching capacity 120 VAC, 450 W or 277 VAC, 900 W maximum.

If the devices are connected with a method other than daisy-chain, this must be indicated to an Encelium Representative for approval before wiring.

- ⚠ GreenBus uses proprietary connectors and jacks for ease of installation only. GreenBus is a proprietary standard. Connect to Encelium Lighting Control System only. Do not connect to other circuits.

VISIT OUR HELP CENTER



For step-by-step instructions on how to test installations and gain basic lighting control, please scan the QR code.

TROUBLESHOOTING

There are no user-serviceable parts inside. For detailed information about how to set-up, install, use, and maintain Encelium hardware and software, please visit: help.encelium.com