






Low-Voltage Sensors

INSTALLATION INSTRUCTIONS

PRODUCT SAFETY

When using electrical equipment, basic safety precautions should always be followed, including the following:

 **READ THESE INSTRUCTIONS BEFORE USING THIS PRODUCT.**

-  Do not let power supply cords touch hot surfaces.
-  Do not mount near gas or electric heaters.
-  Equipment should be mounted in locations and at heights where it will not readily be subjected to tampering by unauthorized personnel.
-  The use of accessory equipment is not recommended by Encelium as it may cause an unsafe condition.
-  Do not use this equipment for other than the intended use.

 **SAVE THESE INSTRUCTIONS.**

GETTING STARTED

Overview

Encelium single-technology Passive Infra-Red (PIR) sensors are a cost-effective option for small and large spaces when major motion is available. The multi-technology option adds an active Ultrasonic (U/S) sensor to the PIR sensor to increase minor motion sensitivity in critical applications like single-occupant offices and restrooms between 450 – 2,000 sq ft (42 – 186 sq m).

The Low-Voltage Sensors are available in two models:

- Ultrasonic (U/S)
- Passive Infra-Red (PIR)

ENCELIUM

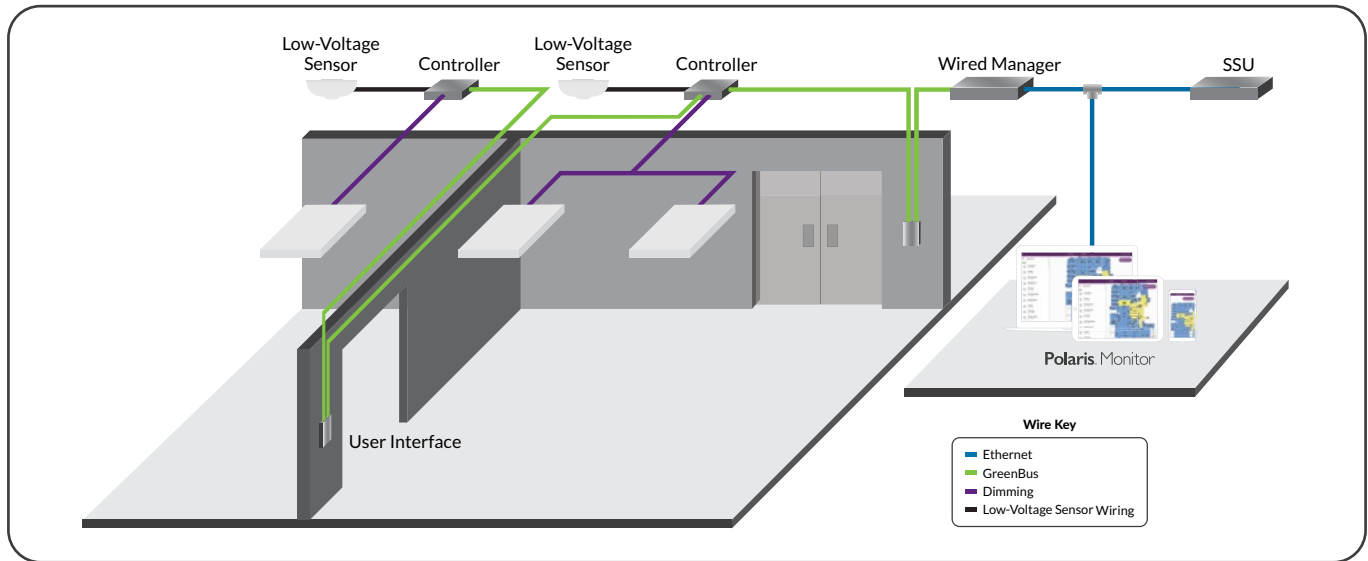
Low-Voltage Sensors

INSTALLATION INSTRUCTIONS

SYSTEM OVERVIEW

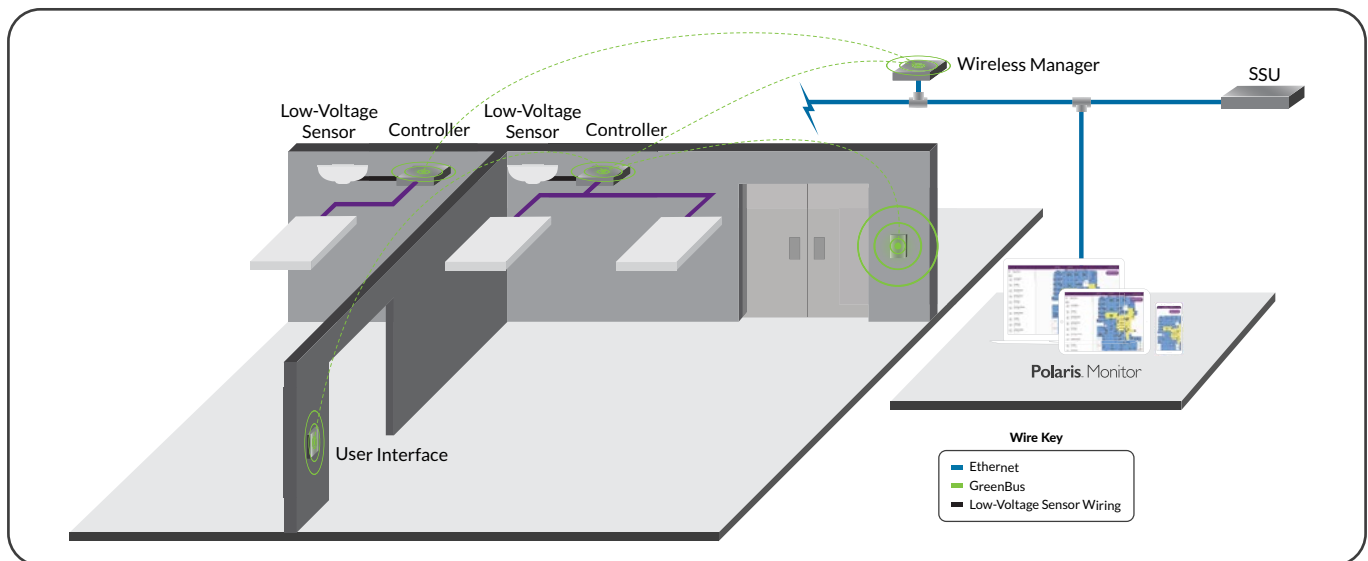
1 Wired System Overview

GreenBus technology makes wiring fast and error-free, since it's intuitive to install. With Encelium X, you can control DALI devices exclusively or a mixture of GreenBus and DALI. With any Encelium wired design, you get a reliable, on-site light management system that can be installed quickly and easily.



2 Wireless System Overview

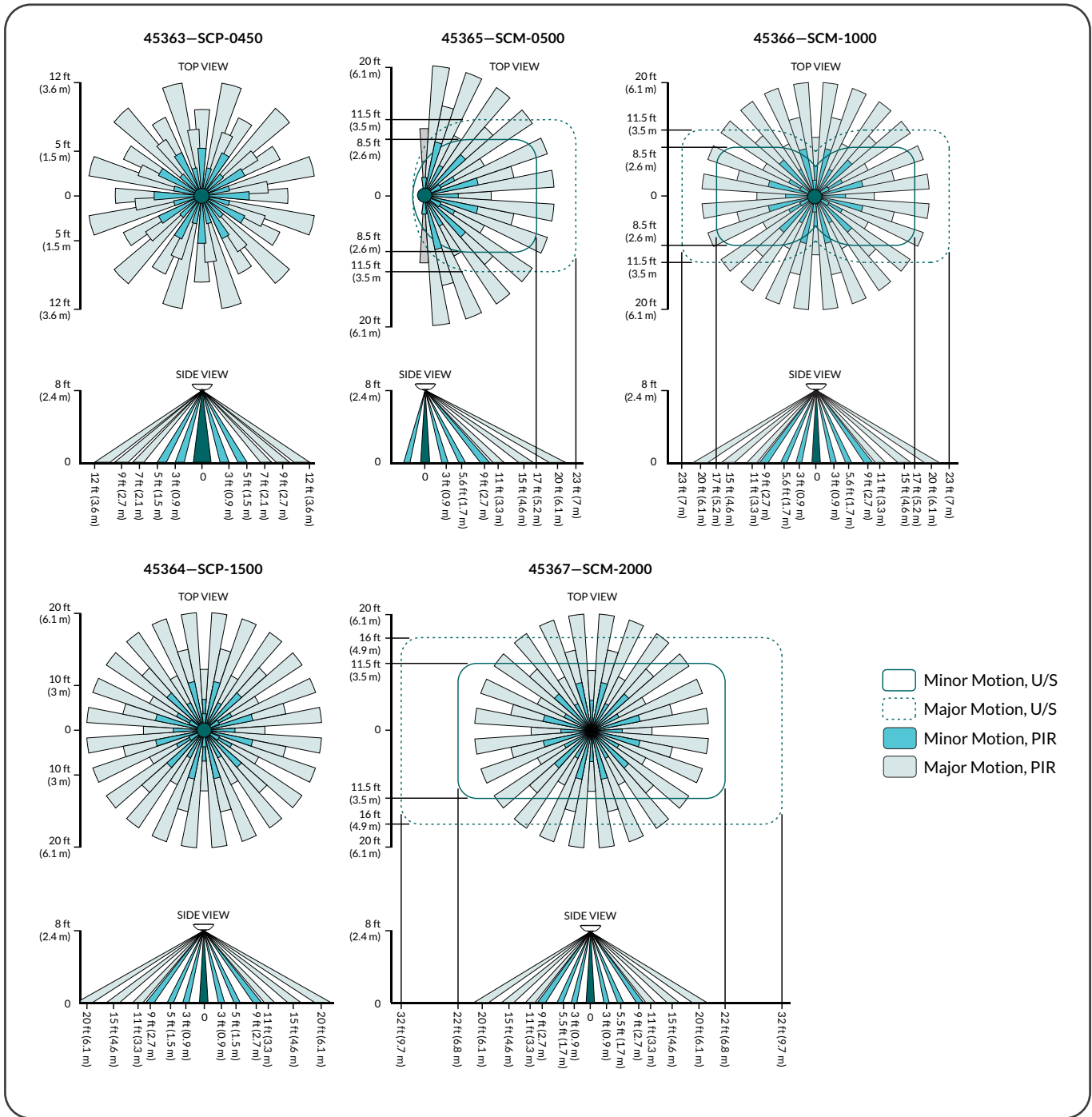
This illustration shows how each component is easily integrated into the Encelium X Lighting Control System.



Low-Voltage Sensors

INSTALLATION INSTRUCTIONS

SENSOR COVERAGE



Note: The sensor must be installed in dry, indoor locations ONLY. Do not install the sensor in damp locations. Damp locations are defined as: interior locations subject to moderate degrees of moisture, such as basements, barns, cold-storage warehouses, as well as partially protected locations under canopies, marquees and porches with open roofs. The sensor provides a 360° coverage pattern. It is recommended that the sensor be installed more than 4 ft (1.2 m) away from air supply vents.

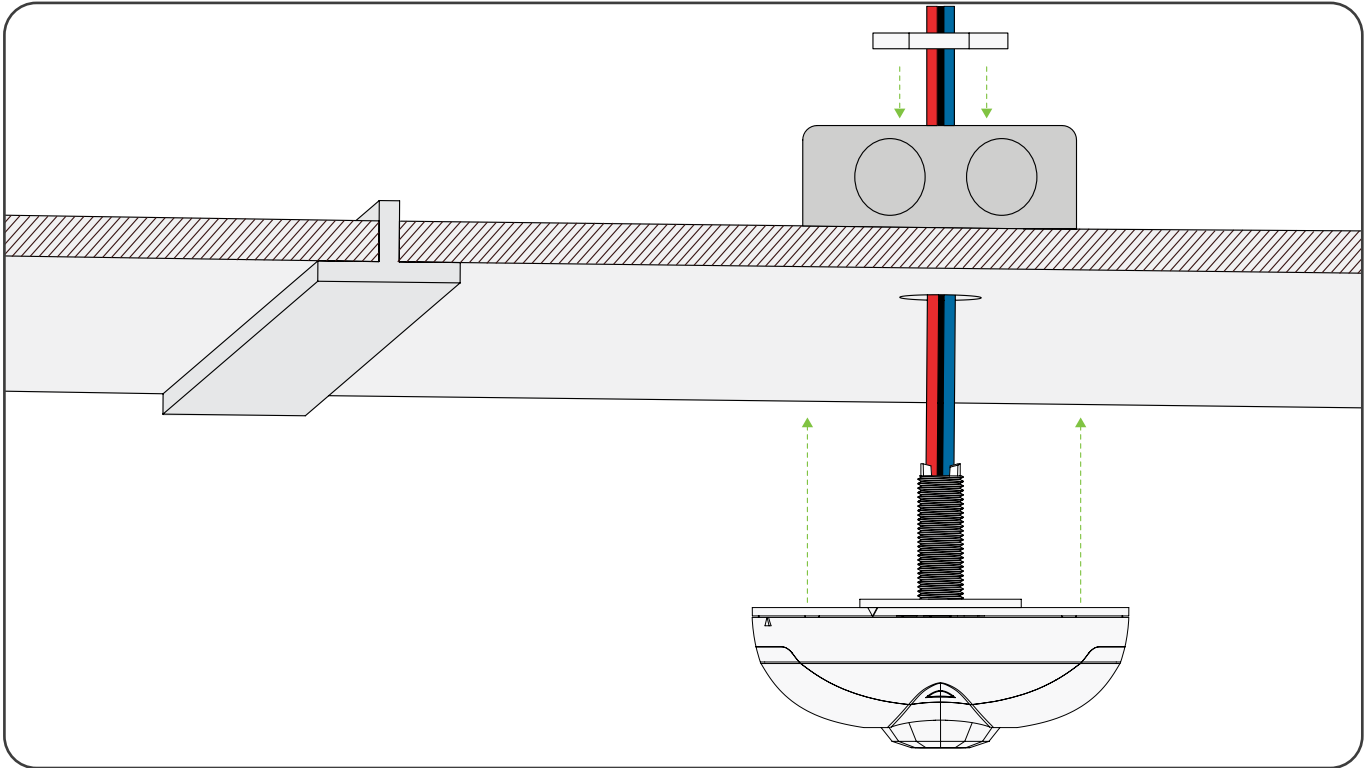
Low-Voltage Sensors

INSTALLATION INSTRUCTIONS

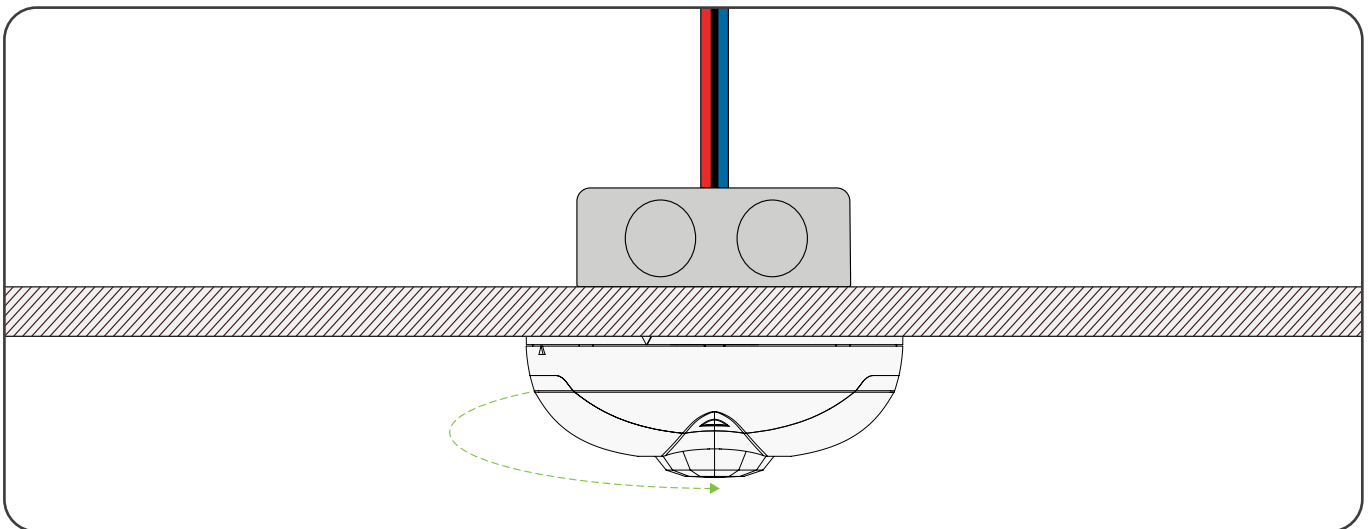
MOUNTING OPTION

Ceiling Tile Mount

- 1 Securely mount the Low-Voltage Sensor to the junction box using an available 0.5 inch (Pg-7) trade size knock-out and retainer nut.



- 2 Twist and lock the Low-Voltage Sensor for 360° directional flexibility.

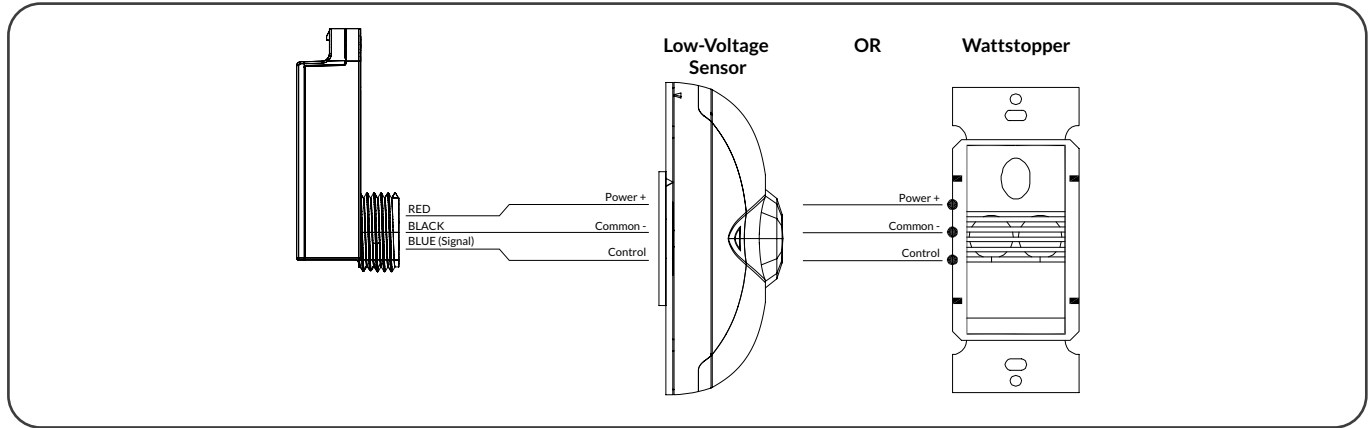


Low-Voltage Sensors

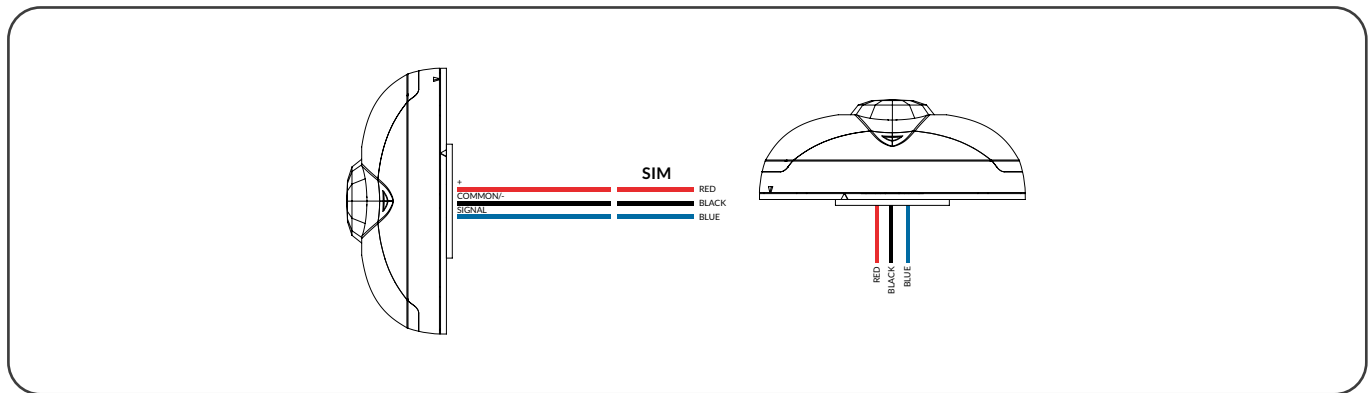
INSTALLATION INSTRUCTIONS

ELECTRICAL CONNECTIONS

1 Low-Voltage Sensor or Wattstopper to SIM Wiring



2 Low-Voltage Sensor Wiring



TROUBLESHOOTING

There are no user-serviceable parts inside. For detailed information about how to set-up, install, use, and maintain Encelium hardware and software, please visit: help.encelium.com

Copyright © 2021 Digital Lumens, Incorporated. All rights reserved. Digital Lumens, the Digital Lumens logo, We Generate Facility Wellness, SiteWorx, LightRules, Lightelligence, Encelium, the Encelium logo, Polaris, GreenBus and any other trademark, service mark, or tradename (collectively "the Marks") are either trademarks or registered trademarks of Digital Lumens, Inc. in the United States and/or other countries, or remain the property of their respective owners that have granted Digital Lumens, Inc. the right and license to use such Marks and/or are used herein as nominative fair use. Due to continuous improvements and innovations, specifications may change without notice.

DOC-000448-00 Rev A 11-21

ENCELIUM

encelium.com