








PRODUCT SAFETY

When using electrical equipment, basic safety precautions should always be followed, including the following:



READ THESE INSTRUCTIONS BEFORE USING THIS PRODUCT.

-  Do not let power supply cords touch hot surfaces.
-  Do not mount near gas or electric heaters.
-  Do not use the unit near water.
-  Do not allow objects to fall or liquids to be spilled into the enclosure through openings.
-  Equipment should be mounted in locations and at heights where it will not readily be subjected to tampering by unauthorized personnel.
-  The use of accessory equipment is not recommended by Encelium as it may cause an unsafe condition.
-  Do not use this equipment for other than the intended use.



SAVE THESE INSTRUCTIONS.

GETTING STARTED

Overview

The Encelium KX7S Touchscreen is a 177 mm (7 inches) flush-mount LCD touchscreen display that provides the ability to recall multiple lighting scenes for a given zone. It's ideal for large multi-purpose spaces where lighting requirements vary throughout the day, such as an auditorium or conference room.

KX7S Touchscreen

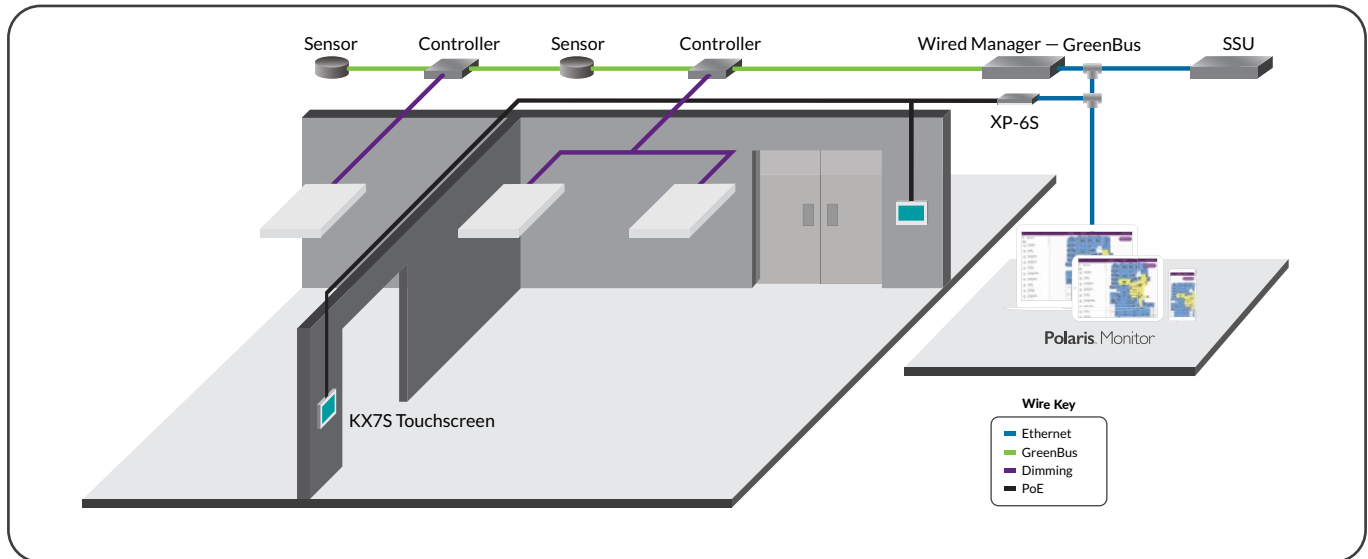
INSTALLATION INSTRUCTIONS

SYSTEM OVERVIEW

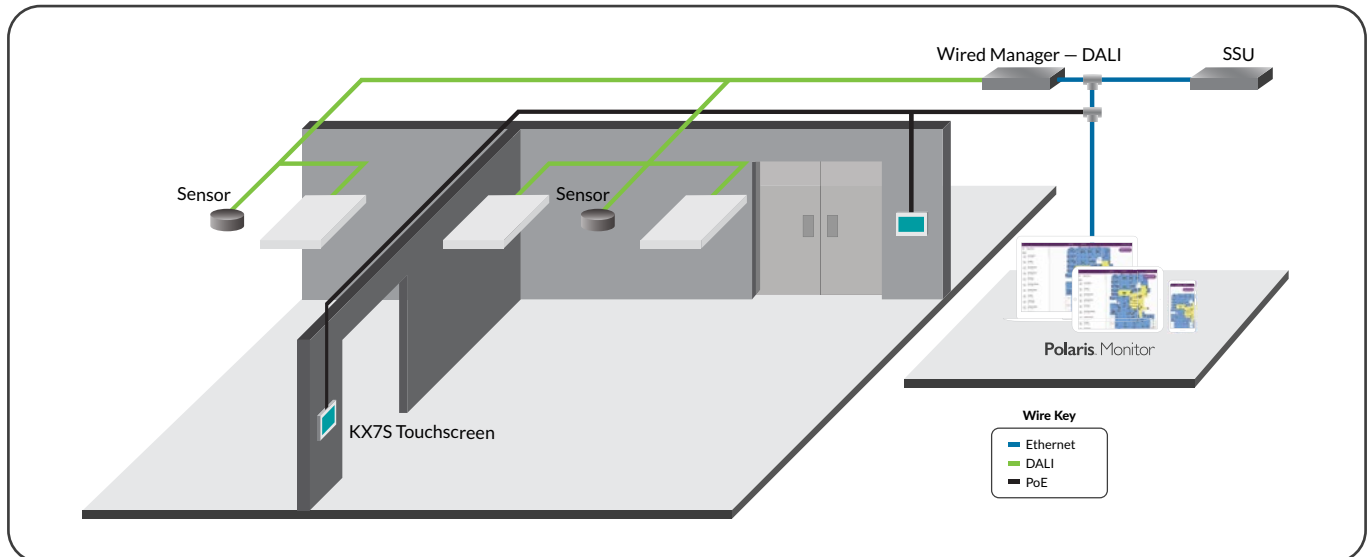
1 Wired System Overview

With Encelium X, you can control DALI devices exclusively or a mixture of GreenBus and DALI.

GreenBus



DALI

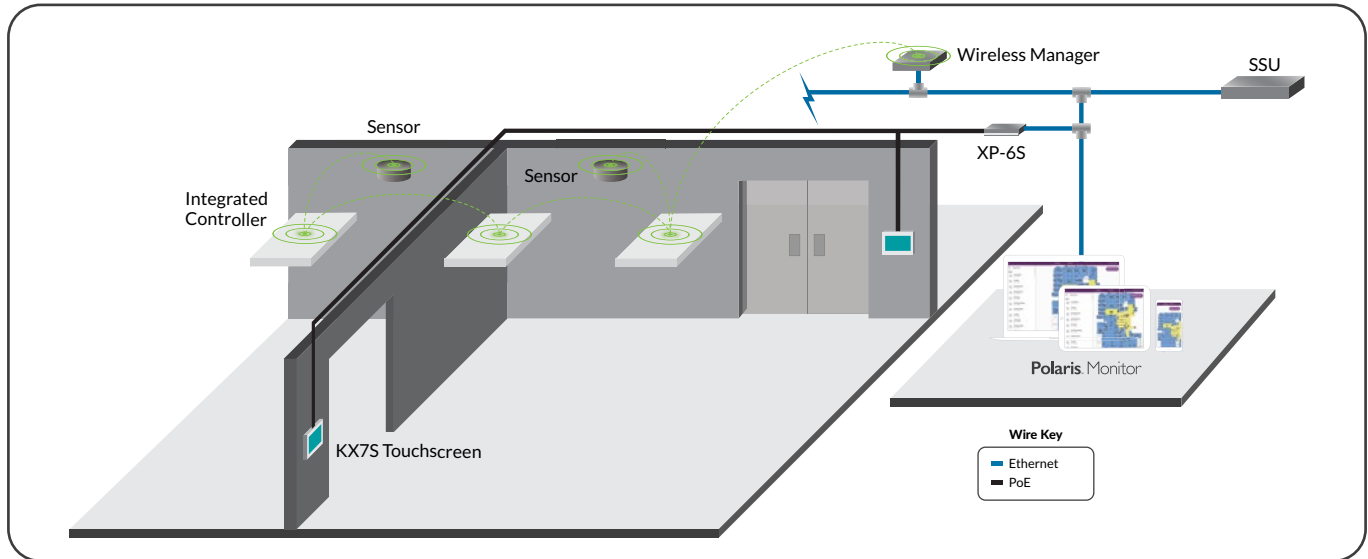


KX7S Touchscreen

INSTALLATION INSTRUCTIONS

2 Wireless System Overview

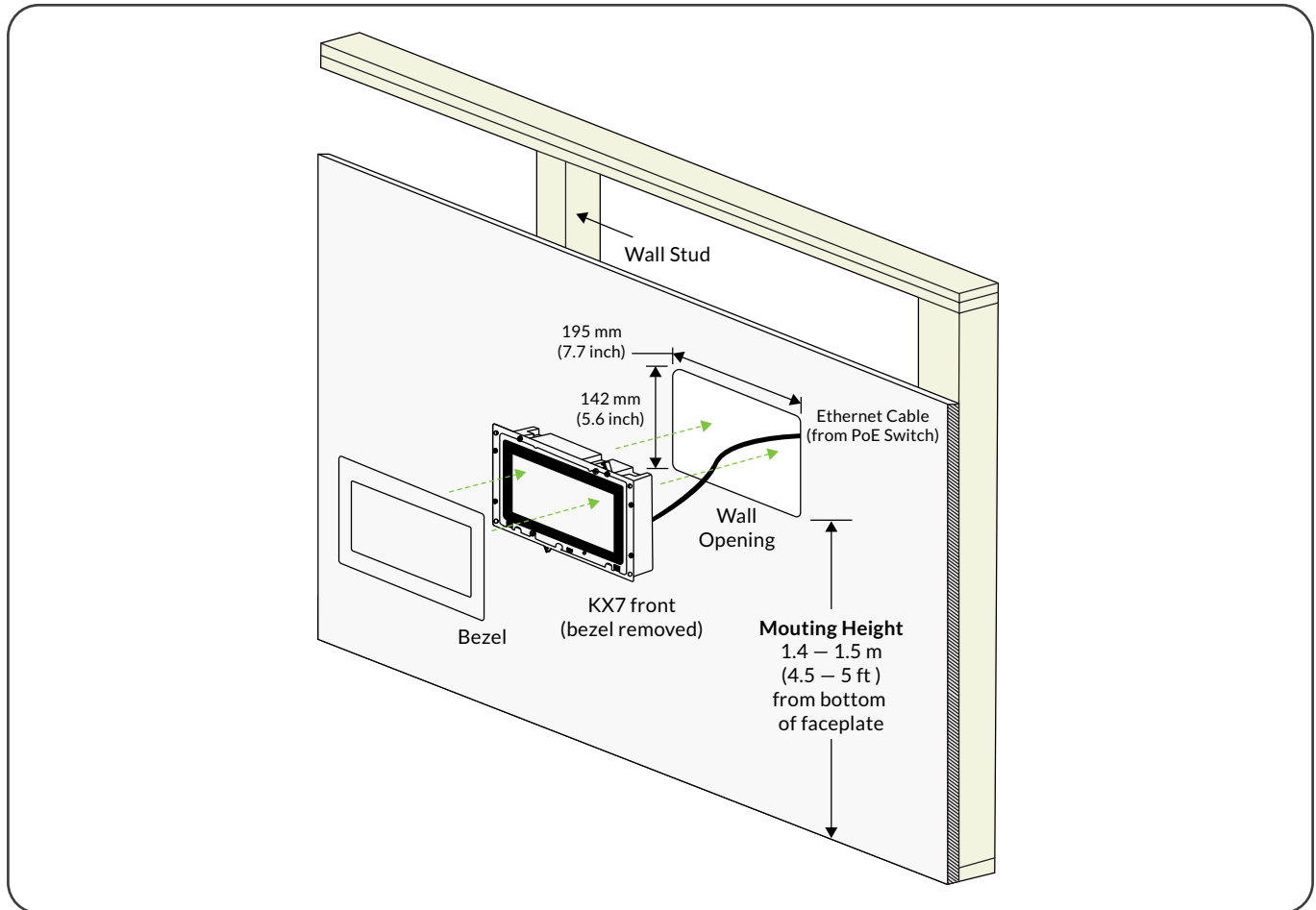
This illustration shows how each component is easily integrated into the Encelium X Lighting Control System.



MOUNTING OPTIONS

1 KX7S Touchscreen

The KX7S Touchscreen is designed for flush-mount, in-wall installations. It requires an available mounting depth of 52.5 mm (2 inches) from the surface of the wall. The recommended mounting height for the KX7S Touchscreen is between 1.4 and 1.5 m (4.5 and 5 ft) from the bottom of the faceplate. The installation requires 52.5 mm (2 inches) mounting depth from the surface of the wall.



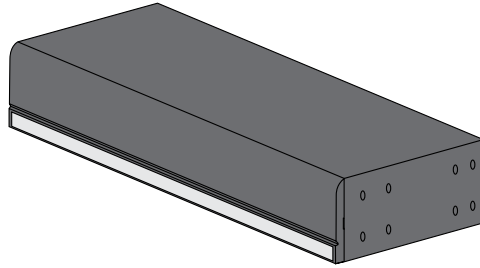
Note: There is little margin for error when fitting the KX7S Touchscreen into the wall opening. Make sure to use the included cardboard cut-out template to create the correct size opening in the wall. Additionally, carefully double-check that all measurements taken using the cardboard cut-out template are accurate.

KX7S Touchscreen

INSTALLATION INSTRUCTIONS

2 XP-6S Advanced Control Processor

The XP-6S Advanced Control Processor can be either rack-mounted (mounting bracket included) or free standing in the IT closet.



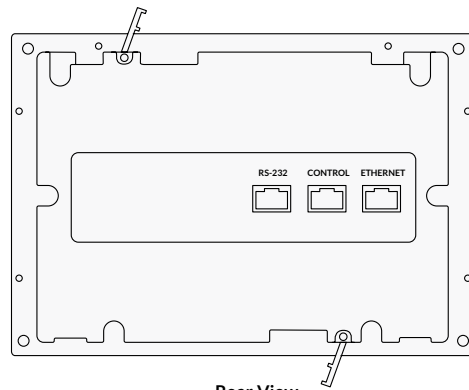
INSTALLATION

KX7S Touchscreen

1 The KX7S Touchscreen is rated for dry, indoor locations only.



Front View

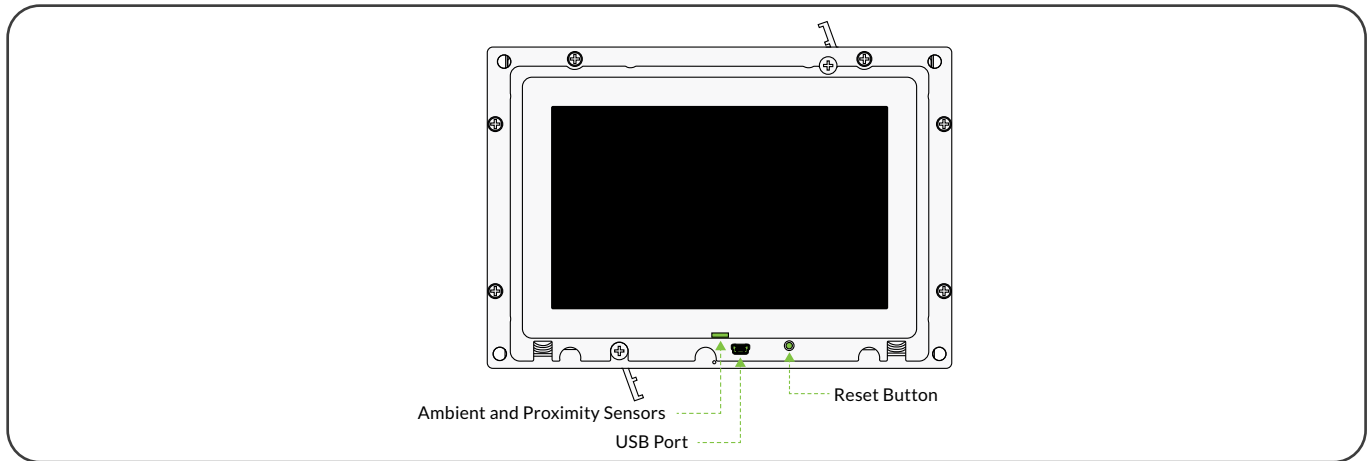


Rear View

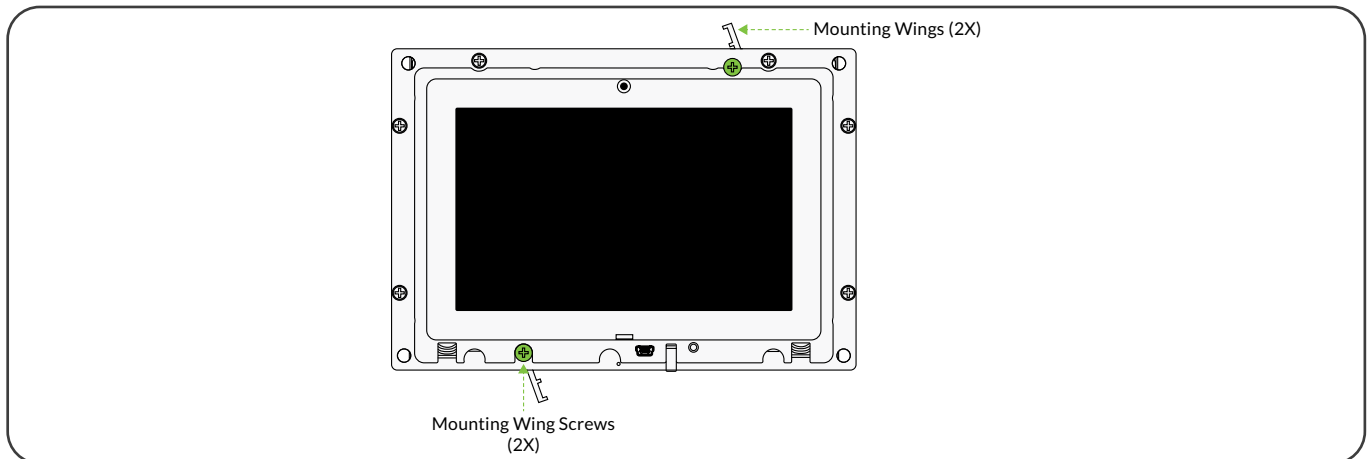
KX7S Touchscreen

INSTALLATION INSTRUCTIONS

- 2 The KX7S Touchscreen has the following built-in components: ambient and proximity sensors, USB port, and reset button.



- 3 Two mounting wings are located on the top and bottom of the KX7S Touchscreen, which can be used to secure the KX7S Touchscreen to drywall in retrofit installations. Place KX7S Touchscreen in the opening in the wall and tighten the mounting wing screws located on the front of the KX7S Touchscreen (bezel removed). Attach the bezel, once the touch screen is securely in place.

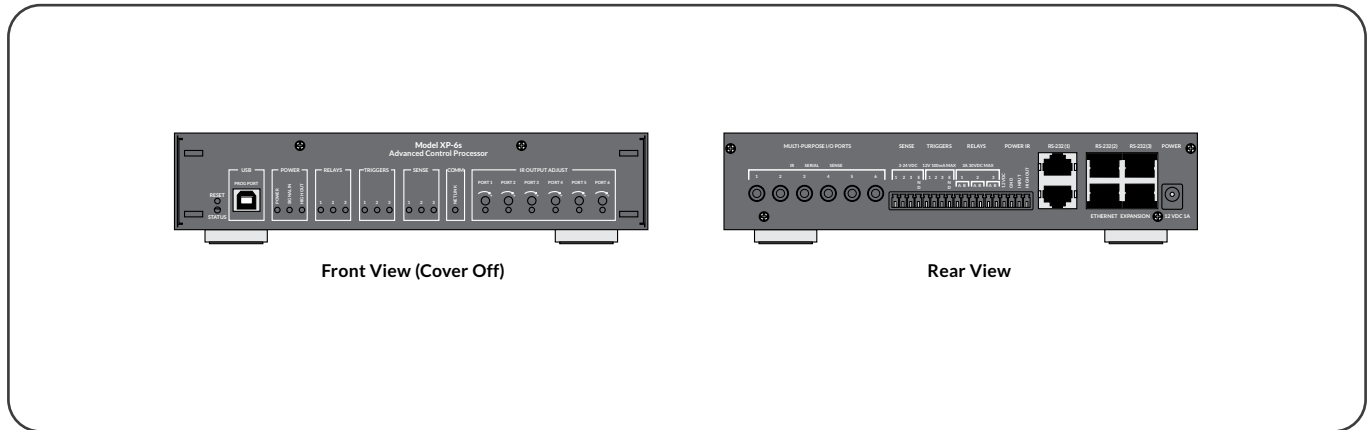


KX7S Touchscreen

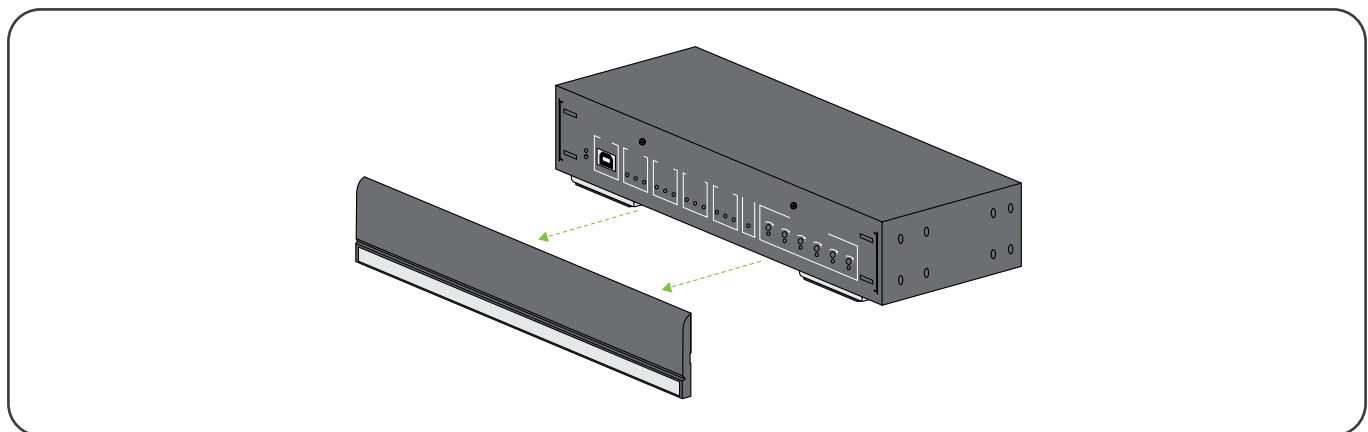
INSTALLATION INSTRUCTIONS

XP-6S Advanced Control Processor

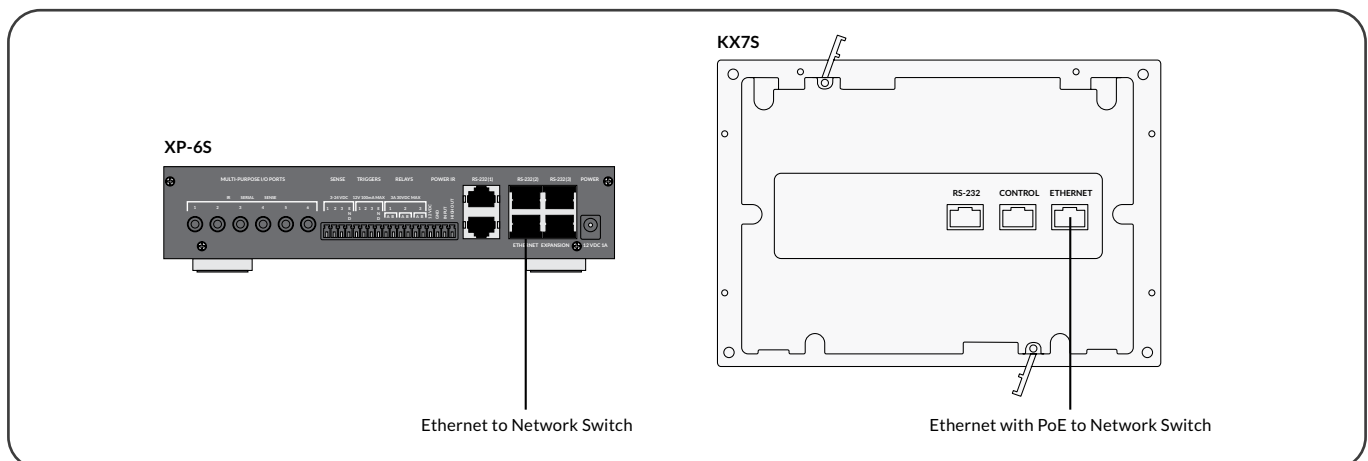
- 1 The XP-6S front and back panels.



- 2 To access the XP-6S front panel, pull the cover forward to remove.



- 3 A single XP-6S Advanced Control Processor can be used to control up to 100 KX7S Touchscreens in a single site. The KX7S is powered via PoE.

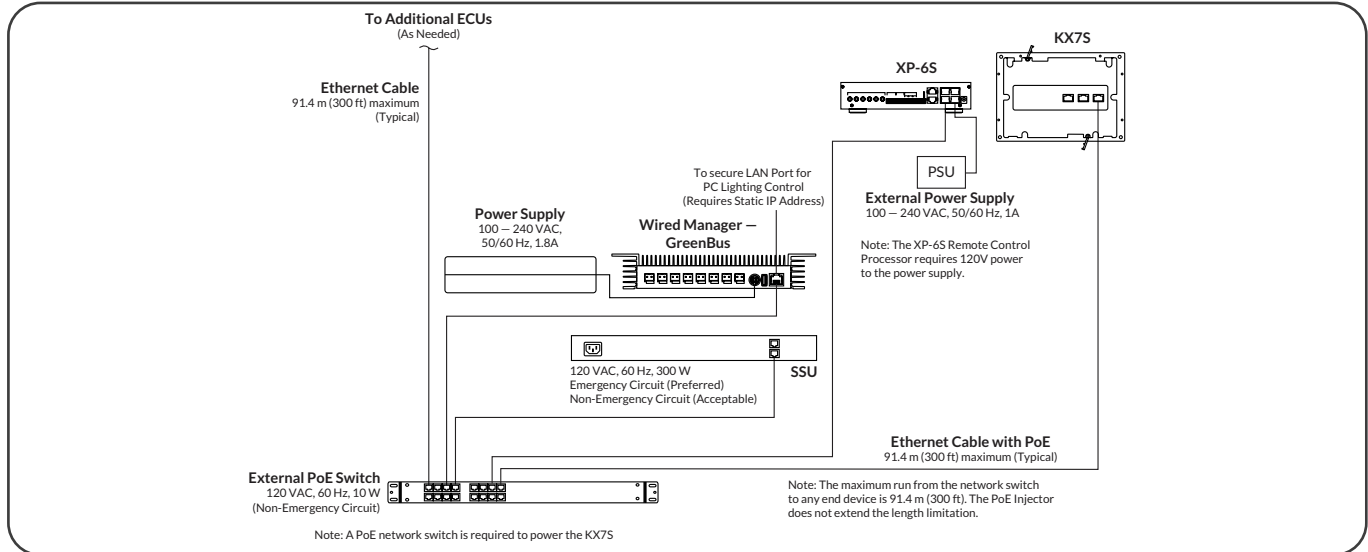


KX7S Touchscreen

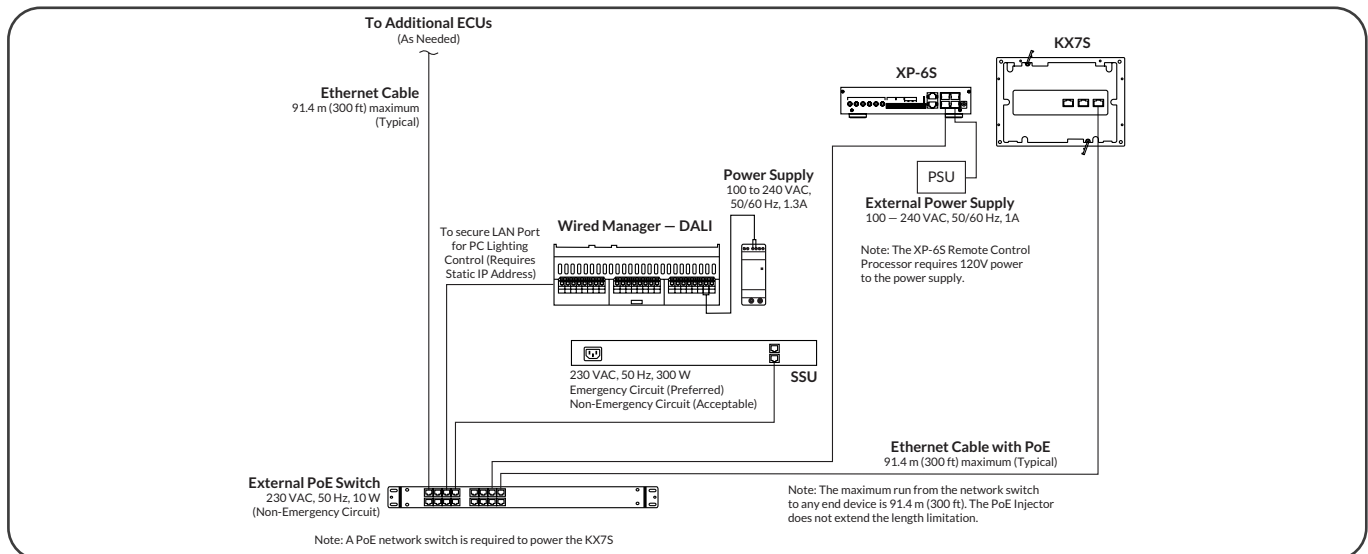
INSTALLATION INSTRUCTIONS

ELECTRICAL CONNECTIONS

1 KX7S Touchscreen and XP-6S Advanced Control Processor Wiring GreenBus



DALI



TROUBLESHOOTING

There are no user-serviceable parts inside. For detailed information about how to set-up, install, use, and maintain Encelium hardware and software, please visit: help.encelium.com



BUILDING CONTROL SYSTEMS

2240 Campbell Creek Blvd. #110
Richardson, Texas 75082 USA
Tel: 888.531.7573
www.encelium.com

© 2023 Legrand. All Rights Reserved 05.2023

ENCELIUM