








PRODUCT SAFETY

When using electrical equipment, basic safety precautions should always be followed, including the following:



READ THESE INSTRUCTIONS BEFORE USING THIS PRODUCT.

-  Do not let power supply cords touch hot surfaces.
-  Do not mount near gas or electric heaters.
-  Do not use the unit near water.
-  Do not allow objects to fall or liquids to be spilled into the enclosure through openings.
-  Equipment should be mounted in locations and at heights where it will not readily be subjected to tampering by unauthorized personnel.
-  The use of accessory equipment is not recommended by Encelium as it may cause an unsafe condition.
-  Do not use this equipment for other than the intended use.



SAVE THESE INSTRUCTIONS.

GETTING STARTED

Overview

The Encelium KX3 Touchscreen Panel is a 3-inch flush-mount LCD touchscreen display that provides the ability to recall multiple lighting scenes for a given zone. The KX3 Touchscreen is ideal for large multi-purpose spaces where lighting requirements vary throughout the day, such as an auditorium or conference room.

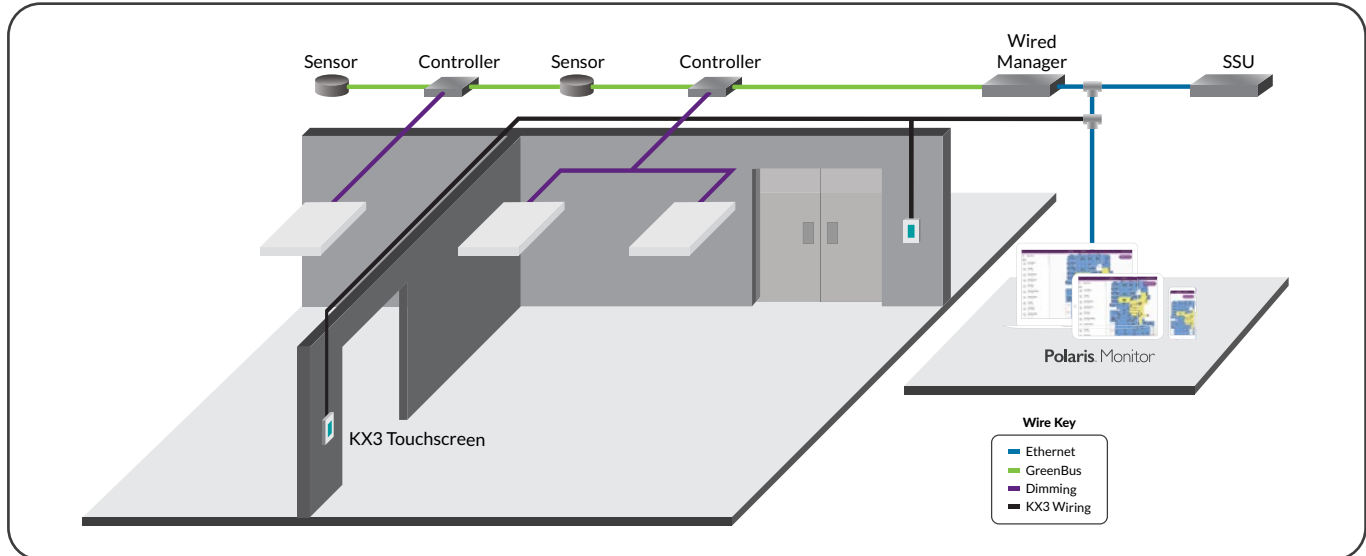
KX3 Touchscreen

INSTALLATION INSTRUCTIONS

SYSTEM OVERVIEW

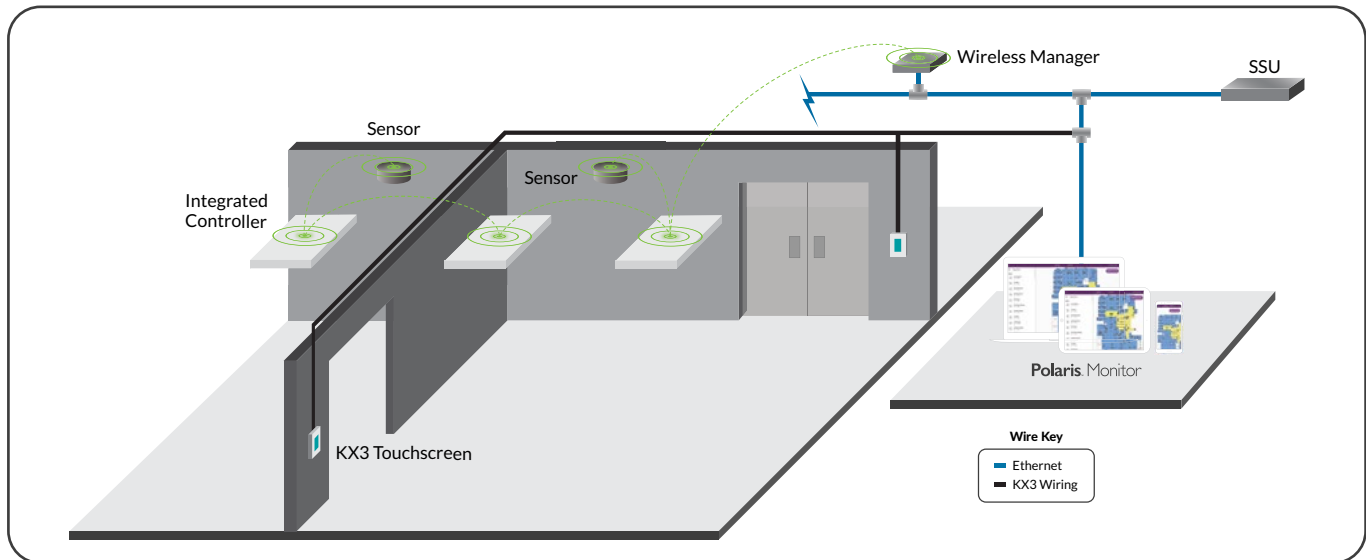
1 Wired System Overview

With Encelium X, you can control DALI devices exclusively or a mixture of GreenBus and DALI.



2 Wireless System Overview

This illustration shows how each component is easily integrated into the Encelium X Lighting Control System.

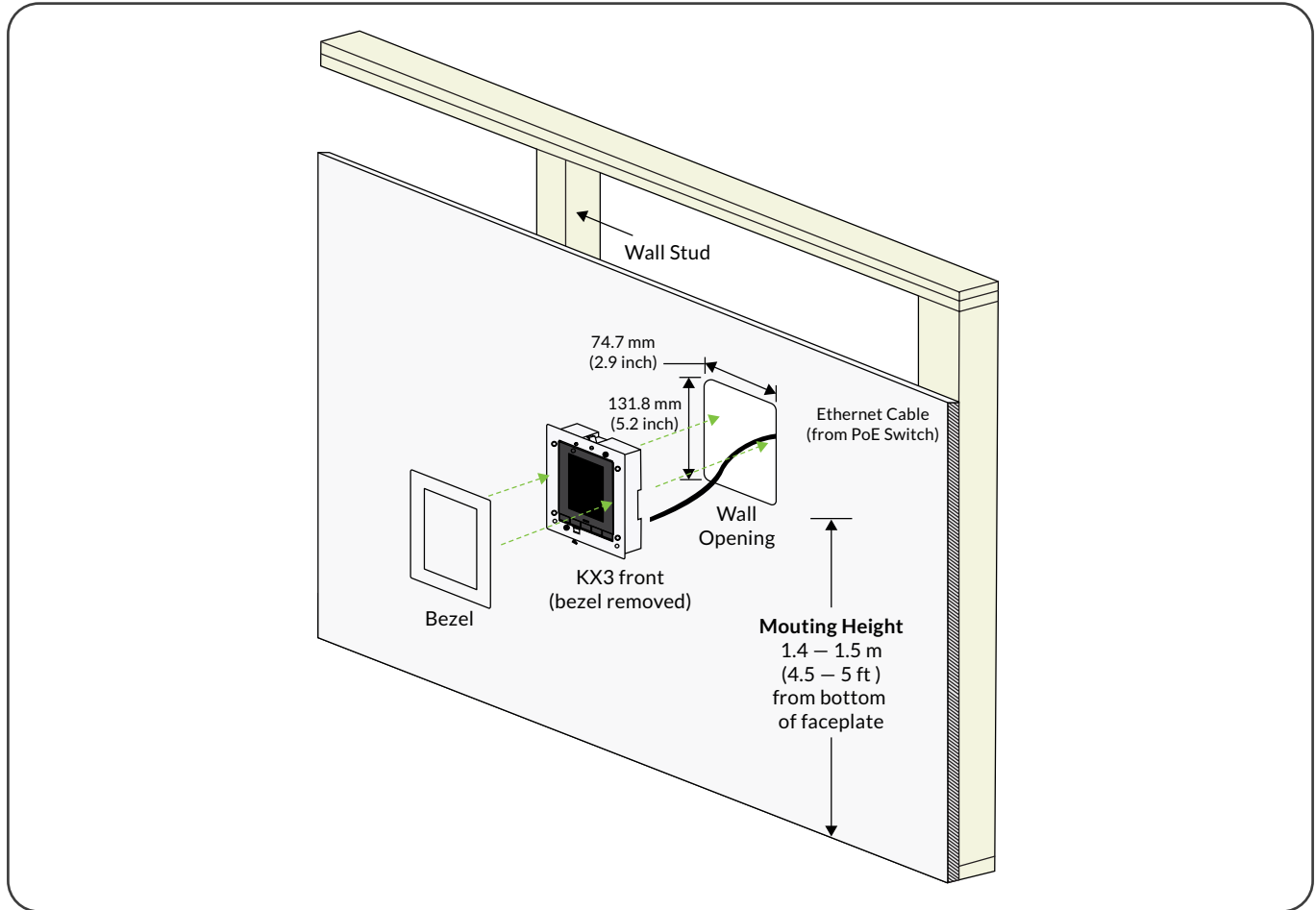


KX3 Touchscreen

INSTALLATION INSTRUCTIONS

MOUNTING OPTION

The KX3 Touchscreen is designed for flush-mount, in-wall installations. It requires an available mounting depth of 52.5 mm (2 inch) from the surface of the wall. The recommended mounting height for the KX3 Touchscreen is between 1.4 and 1.5 m (4.5 and 5 ft) from the bottom of the faceplate.



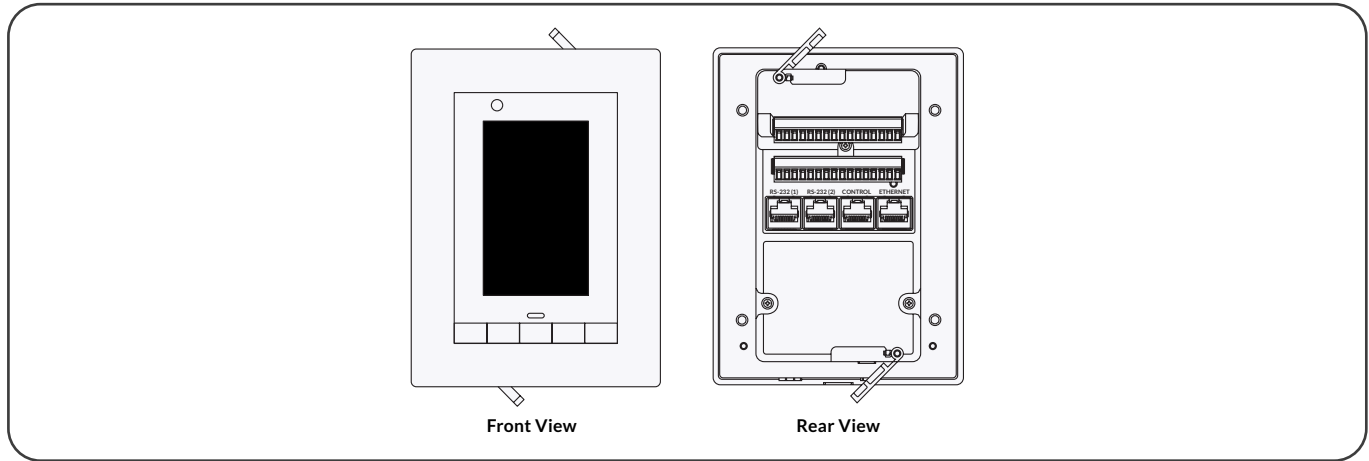
Note: There is little margin for error when fitting the KX3 Touchscreen into the wall opening. Make sure to use the included cardboard cut-out template to create the correct size opening in the wall. Additionally, carefully double-check that all measurements taken using the cardboard cut-out template are accurate.

KX3 Touchscreen

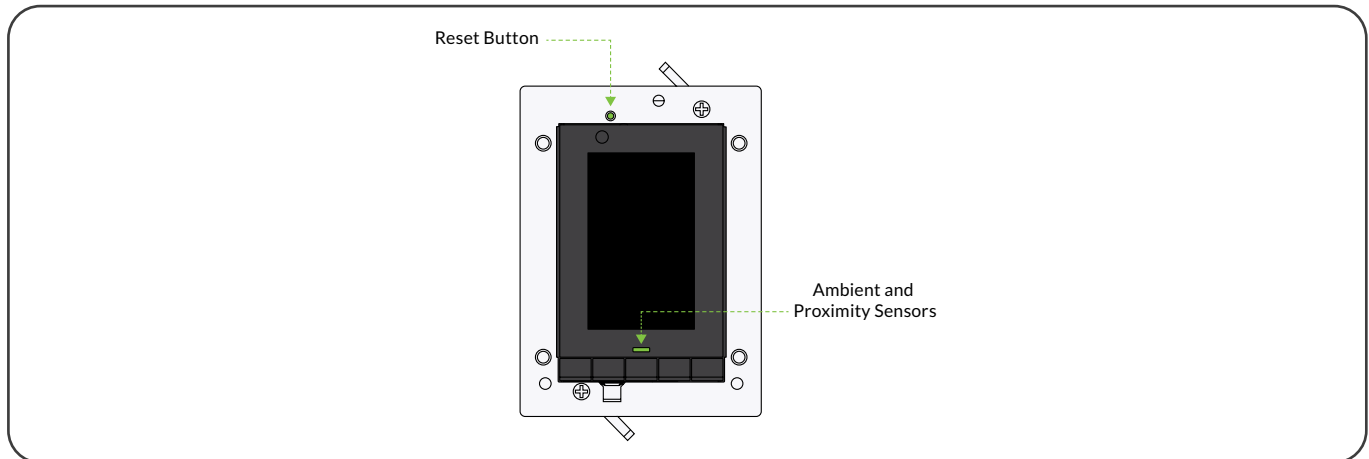
INSTALLATION INSTRUCTIONS

INSTALLATION

- 1 The KX3 Touchscreen shall be installed in dry, indoor locations ONLY.



- 2 The KX3 Touchscreen has the following built-in components: ambient and proximity sensors and reset button.

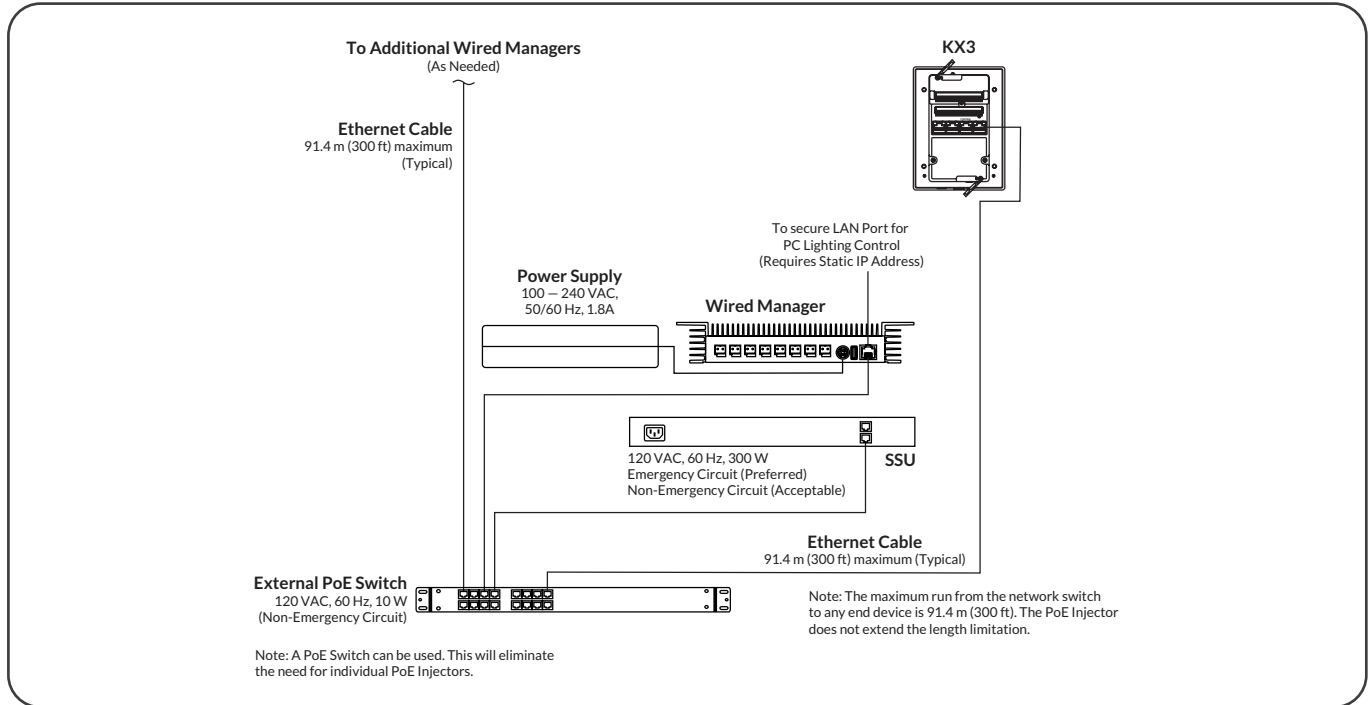


KX3 Touchscreen

INSTALLATION INSTRUCTIONS

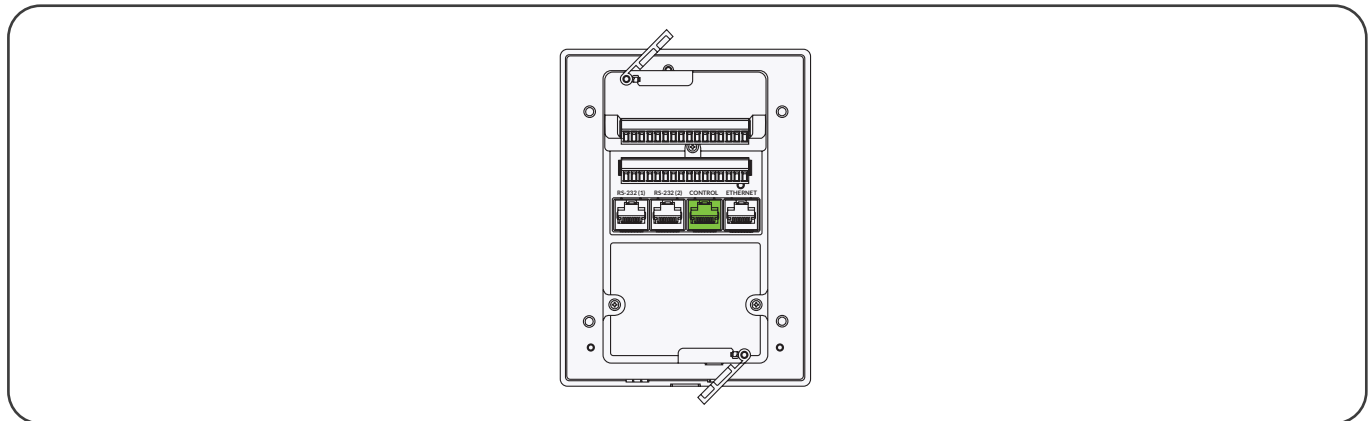
ELECTRICAL CONNECTIONS

1 KX3 Touchscreen Wiring Diagram



2 Control Port Wiring

The Control Port on the KX3 Touchscreen uses an Ethernet cable with RJ-45 termination. When used in conjunction with a control processor and a connecting block, this port serves as the power source for the KX3 Touchscreen in addition to infrared and RS-485 communication.

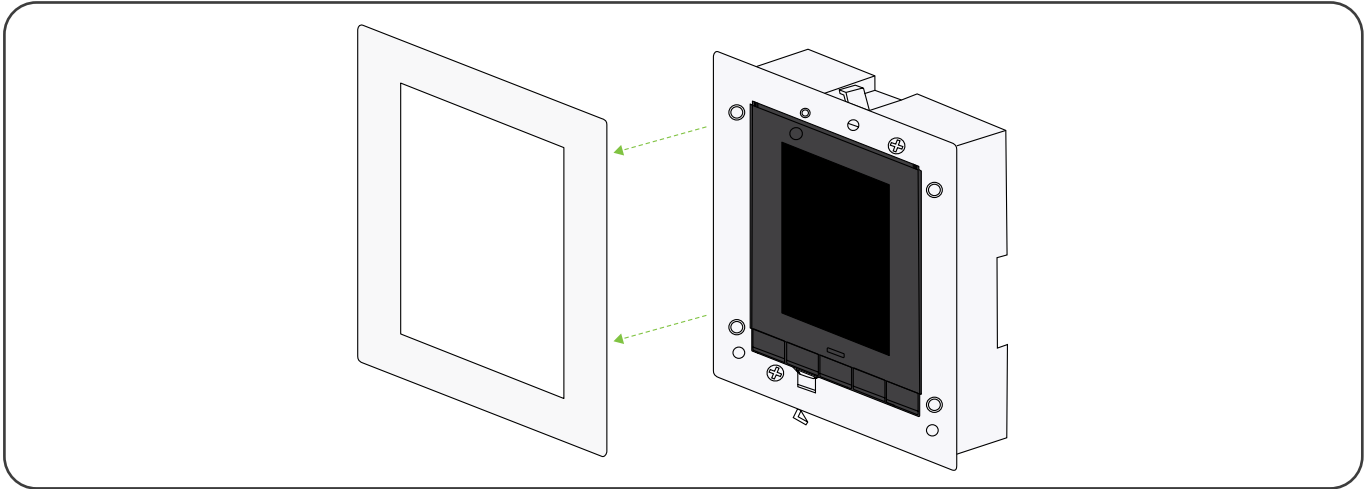


BUTTON KEYCAP REPLACEMENT

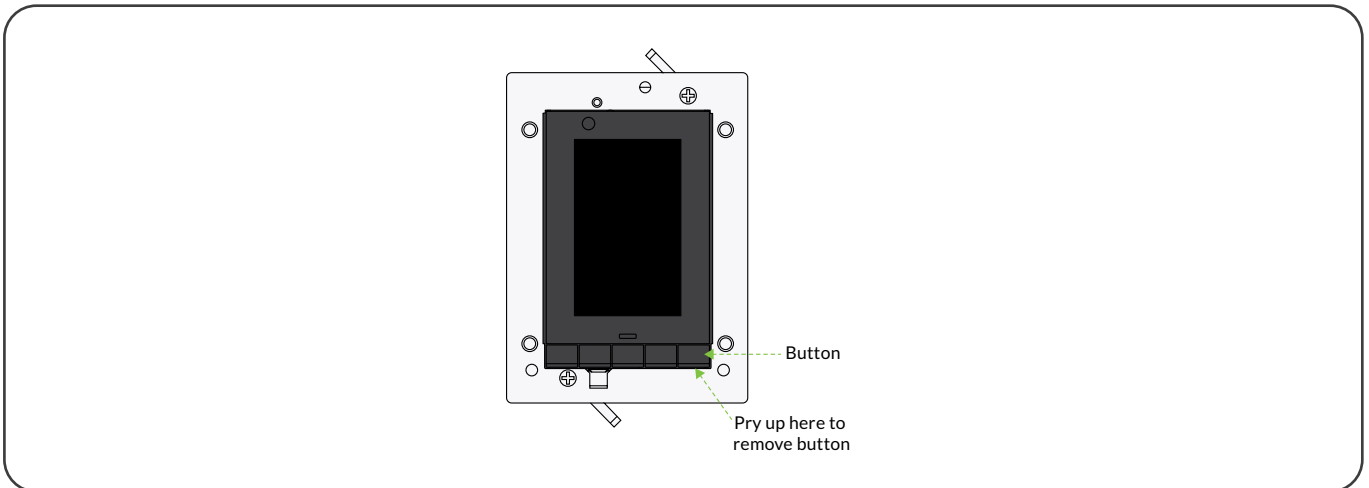
The KX3 Touchscreen hard button keycaps are compatible with the Laser Shark custom button etching service.

REMOVING BUTTON KEYCAPS

- 1 Remove the KX3 bezel.

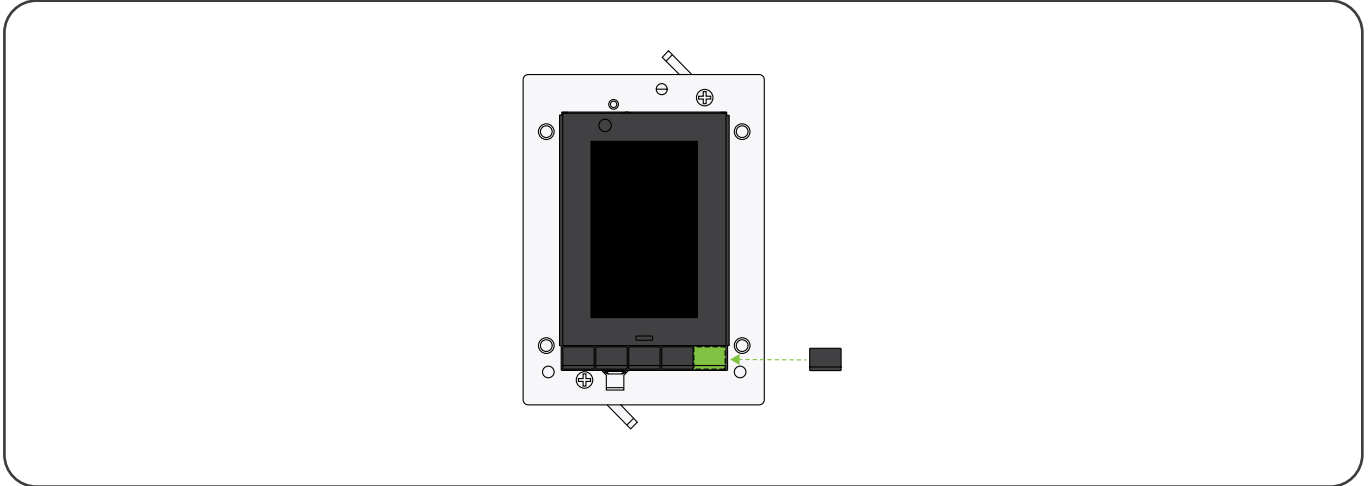


- 2 Using your fingernail or small screwdriver, gently pry up on the bottom edge of the keycap.



INSTALLING BUTTON KEYCAPS

- 1 Align the keycap directly over the button location.
- 2 Gently press straight down on the keycap until it is seated flush with the display.



TROUBLESHOOTING

There are no user-serviceable parts inside. For detailed information about how to set-up, install, use, and maintain Encelium hardware and software, please visit: help.encelium.com

Copyright © 2021 Digital Lumens, Incorporated. All rights reserved. Digital Lumens, the Digital Lumens logo, We Generate Facility Wellness, SiteWorx, LightRules, Lightelligence, Encelium, the Encelium logo, Polaris, GreenBus and any other trademark, service mark, or tradename (collectively "the Marks") are either trademarks or registered trademarks of Digital Lumens, Inc. in the United States and/or other countries, or remain the property of their respective owners that have granted Digital Lumens, Inc. the right and license to use such Marks and/or are used herein as nominative fair use. Due to continuous improvements and innovations, specifications may change without notice.

DOC-000446-00 Rev A 11-21

ENCELIUM

encelium.com