

### PRODUCT SAFETY

When using electrical equipment, basic safety precautions should always be followed, including the following:



**READ THESE INSTRUCTIONS BEFORE USING THIS PRODUCT.**



Do not let power supply cords touch hot surfaces.



Do not mount near gas or electric heaters.



Equipment should be mounted in locations and at heights where it will not readily be subjected to tampering by unauthorized personnel.



The use of accessory equipment is not recommended by Encelium as it may cause an unsafe condition.



Do not use this equipment for other than the intended use.



Do not install the KSW in damp locations. Install in dry, indoor locations ONLY.



**SAVE THESE INSTRUCTIONS.**

---

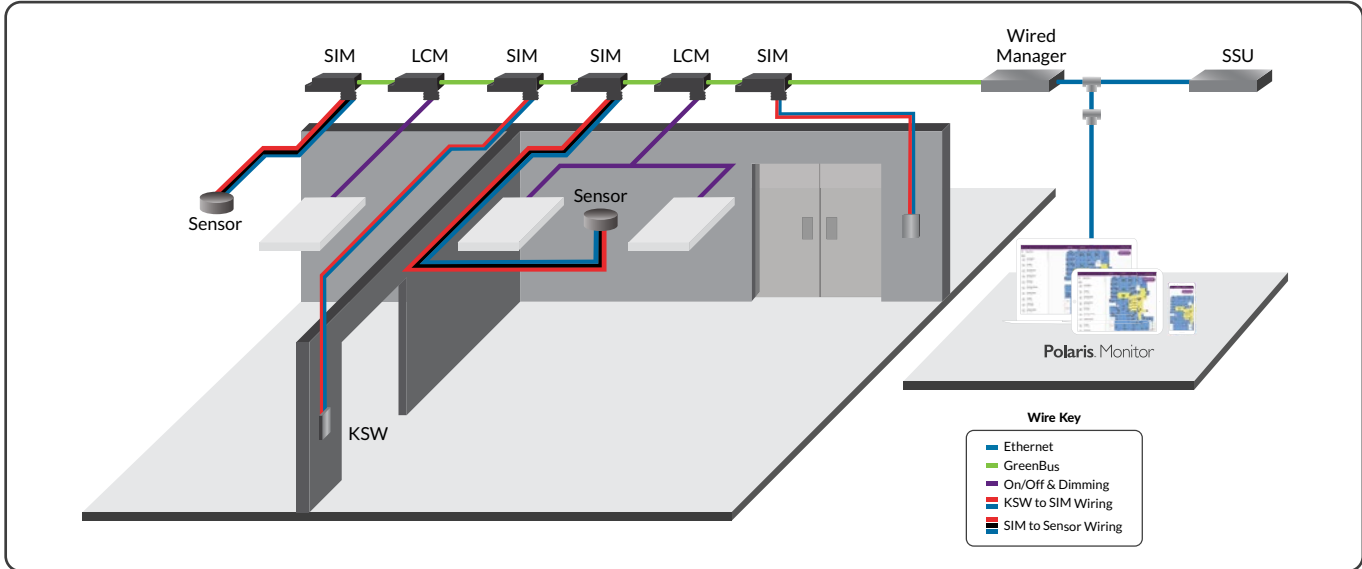
### GETTING STARTED

#### Overview

The Industrial Key Switch (KSW) is a single-zone wall-mounted user interface that provides local on/off control over a lighting zone. Utilizing a standard single-gang junction box form factor in a rugged stainless steel housing, the KSW connects to the Encelium X Lighting Control System through a Sensor Interface Module (SIM).

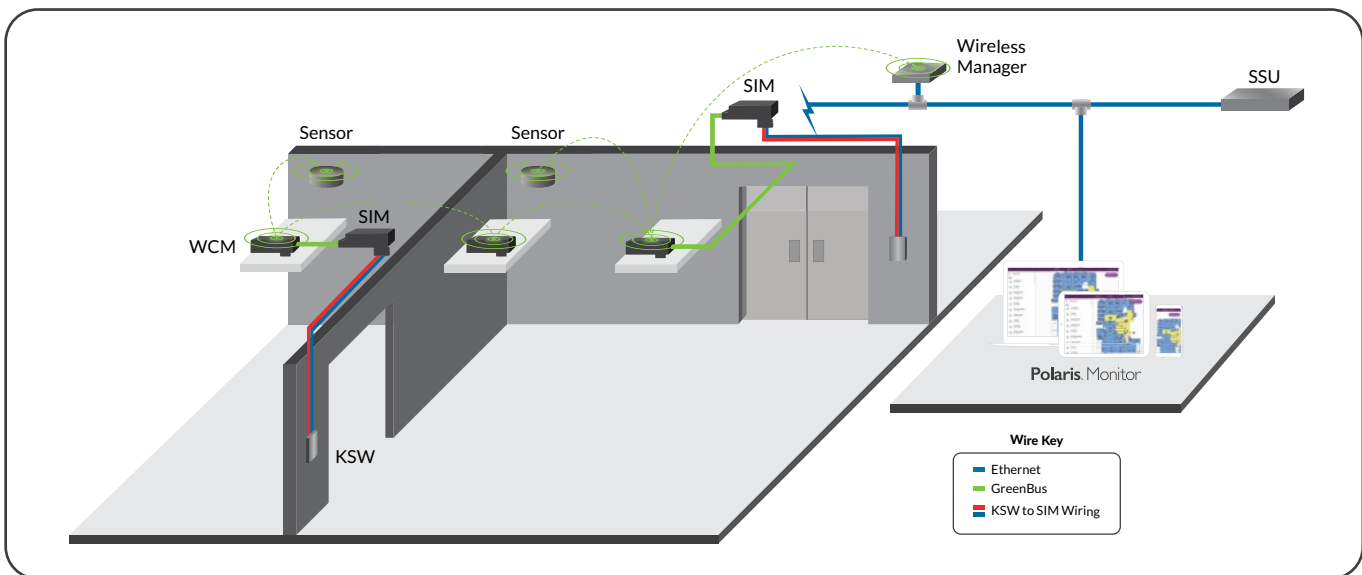
### WIRED SYSTEM OVERVIEW

GreenBus technology makes wiring fast and error-free, since it's intuitive to install. With Encelium X. With any Encelium wired design, you get a reliable, on-site lighting control system that can be installed quickly and easily.



### HYBRID SYSTEM OVERVIEW

This illustration shows show a wired KSW can be used in a hybrid wireless /wired system.



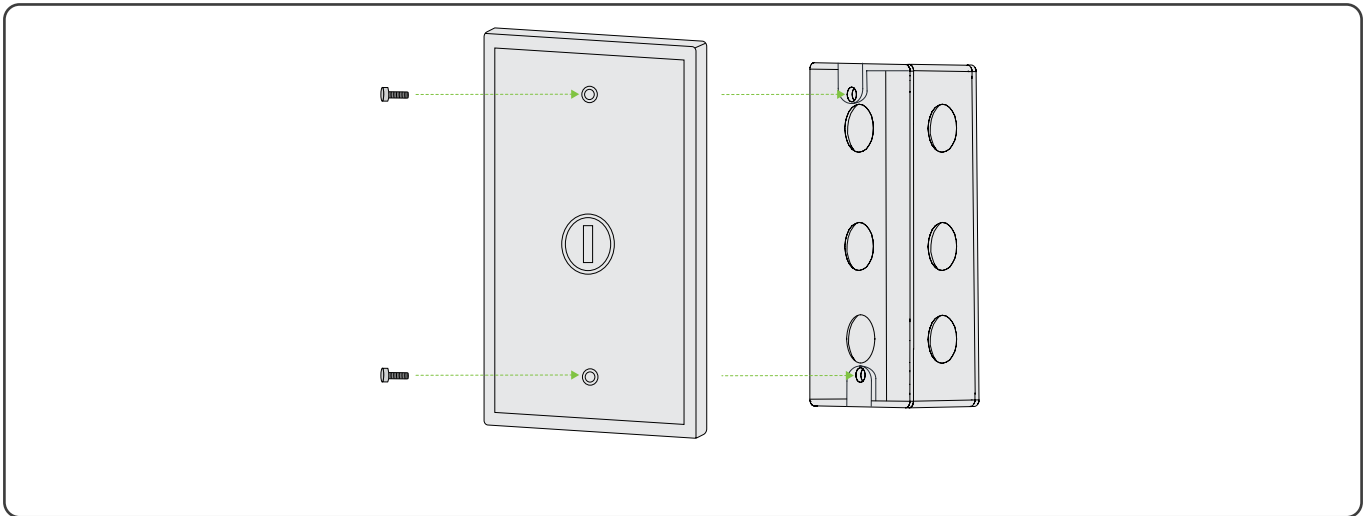
### INSTALLATION

The KSW is powered by a 24 VDC, Class 2 circuit and connects to the Encelium X Lighting Control System.

### MOUNTING OPTION

#### Wall Box Mount

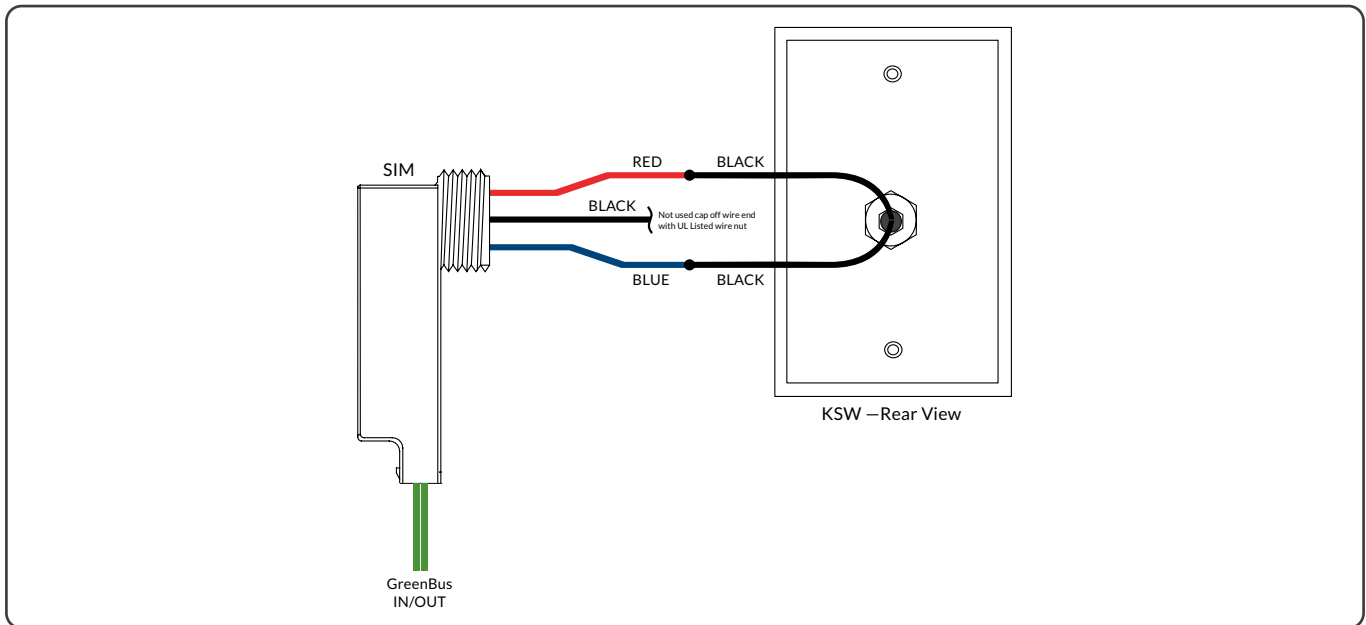
It is recommended for convenience and serviceability to use an electrical junction box to hold the necessary wiring and to securely mount the KSW.



### ELECTRICAL CONNECTIONS

#### GreenBus

GreenBus is a low-cost, high-reliability, 2 wire communication bus used by the Encelium X Lighting Control System. The GreenBus wiring originates at the Wired Manager and propagates in a daisy-chain between Encelium compatible hardware. If the devices are connected with a method other than daisy-chain, this must be indicated to an Encelium Representative for approval before wiring.



- ⚠ GreenBus uses proprietary connectors and jacks for ease of installation only. GreenBus is a proprietary standard. Connect to Encelium X Lighting Control System only. Do not connect to other circuits.
- ⚠ GreenBus must be laid out as per supplied system layout drawing. If changes are required, determine an optimum wiring path utilizing the supplied cables, based on the position of the devices.

### TROUBLESHOOTING

There are no user-serviceable parts inside. For detailed information about how to set-up, install, use, and maintain Encelium hardware and software, please visit: [help.encelium.com](https://help.encelium.com)