

PRODUCT SAFETY

When using electrical equipment, basic safety precautions should always be followed, including the following:



READ THESE INSTRUCTIONS BEFORE USING THIS PRODUCT.



Do not let power supply cords touch hot surfaces.



Do not mount near gas or electric heaters.



Equipment should be mounted in locations and at heights where it will not readily be subjected to tampering by unauthorized personnel.



The use of accessory equipment is not recommended by Encelium as it may cause an unsafe condition.



Do not use this equipment for other than the intended use.



SAVE THESE INSTRUCTIONS.

GETTING STARTED

Overview

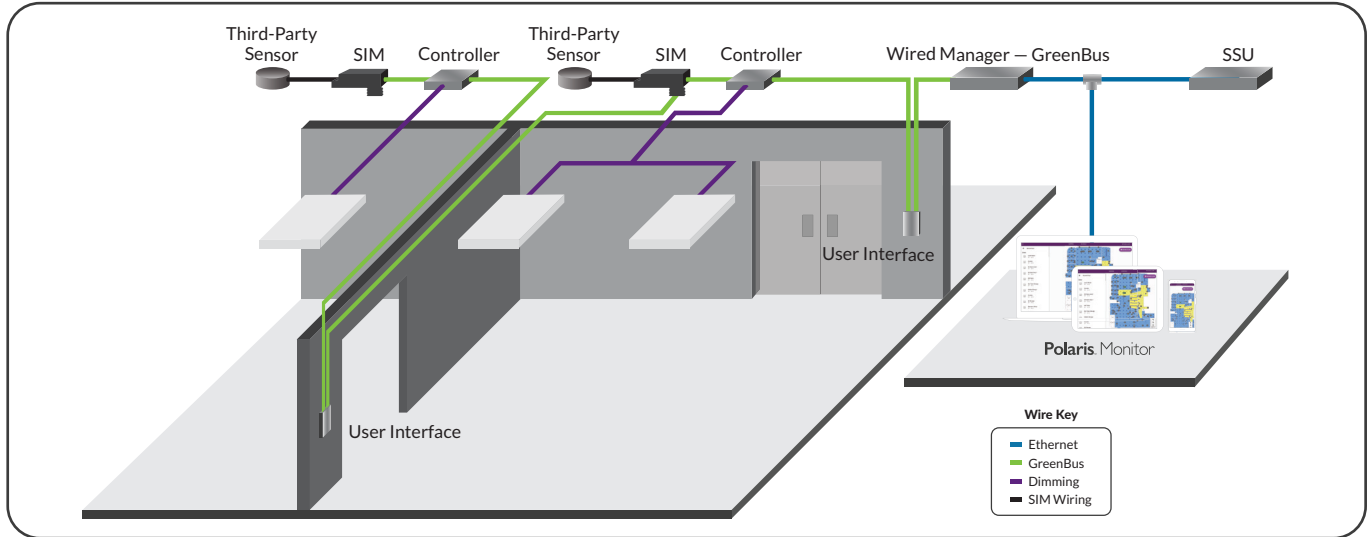
The Sensor Interface Module (SIM) provides an interface between sensors such as occupancy and photosensors to the GreenBus™ communication network. The SIM is automatically addressed as soon as it is connected to the Encelium Wired Manager.

The SIM is available in two models:

- Indoor
- Damp Rated

WIRED SYSTEM OVERVIEW

GreenBus technology makes wiring fast and error-free, since it's intuitive to install. With Encelium X, you can control DALI devices exclusively or a mixture of GreenBus and DALI.



INSTALLATION

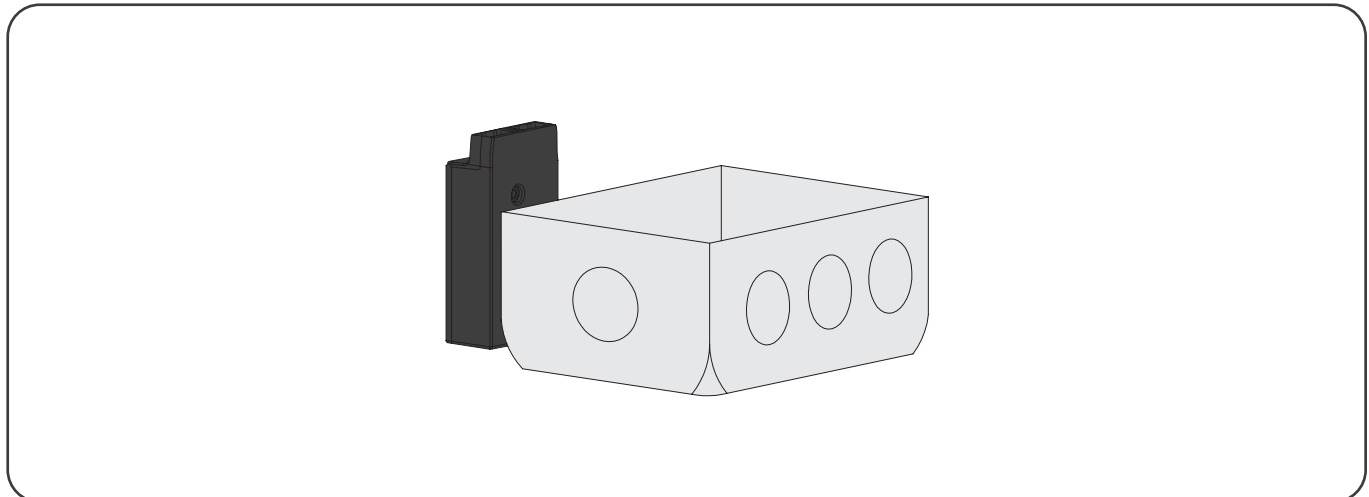
The SIM provides an interface between sensors such as occupancy and photosensors to the GreenBus communication network.

Notes: The SIM is to be installed in dry, indoor locations ONLY. For damp installations, ensure to use the SIM (damp rated). Damp locations are defined as: interior locations subject to moderate degrees of moisture, such as some basements, some barns, some cold-storage warehouses, and the like, and partially protected locations under canopies, marquees, roofed open porches, and the like.

MOUNTING OPTION

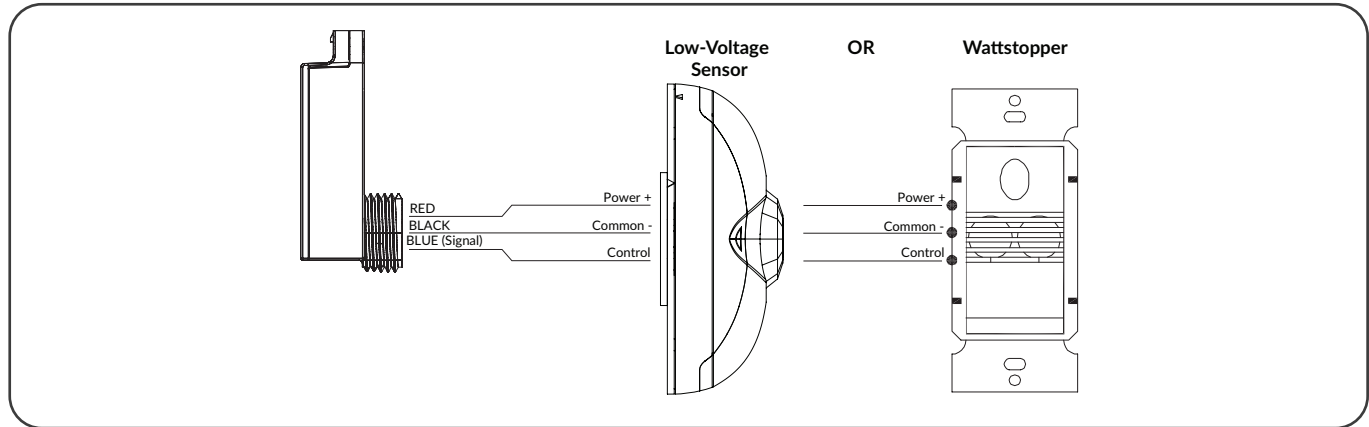
Junction Box Mount

For some installations, a junction box may be required. It is recommended to securely mount the SIM to the junction box using an available PG-7 (0.5 inch) trade-size knockout and retainer nut.

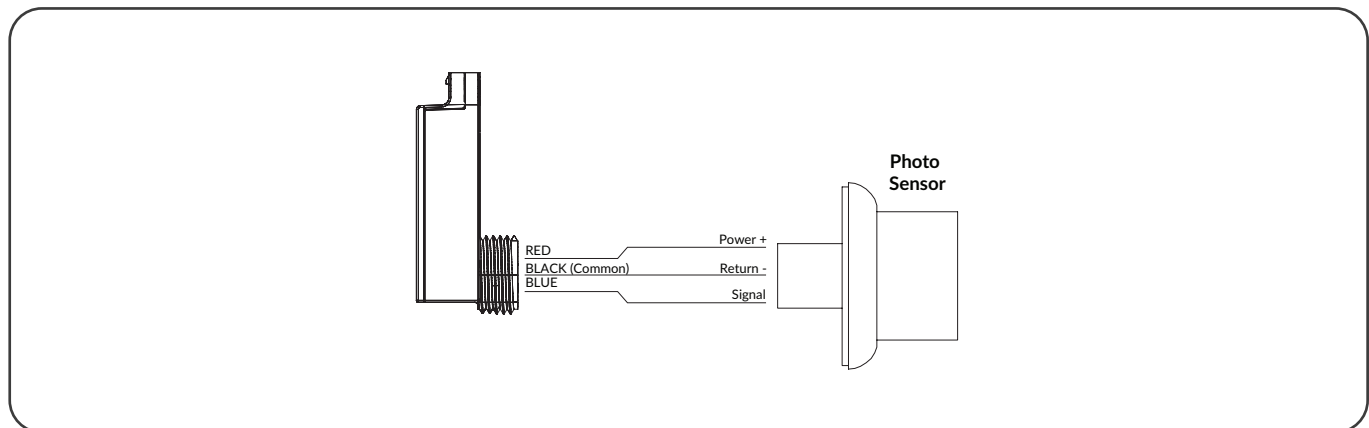


ELECTRICAL CONNECTIONS

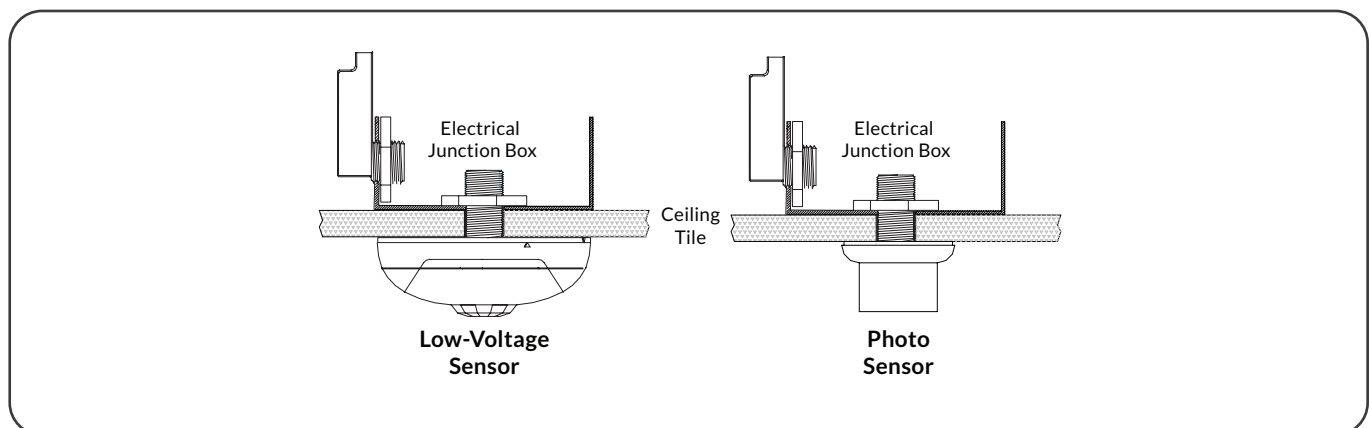
1 SIM to Low-Voltage Sensor or Wattstopper Wiring



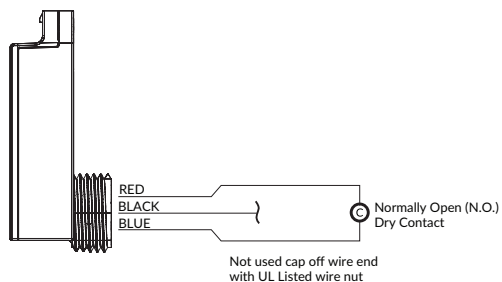
2 SIM to Photo Sensor Wiring



3 SIM to Sensor Junction Box Wiring



4 Contact Closure Wiring



5 SIM Wiring

The module is made from tested material to be used in plenum or “plenum rated” areas.

