

### PRODUCT SAFETY

When using electrical equipment, basic safety precautions should always be followed, including the following:



**READ THESE INSTRUCTIONS BEFORE USING THIS PRODUCT.**



Do not mount near gas or electric heaters.



Equipment should be mounted in locations and at heights where it will not readily be subjected to tampering by unauthorized personnel.



The use of accessory equipment is not recommended by Encelium as it may cause an unsafe condition.



Do not use this equipment for other than the intended use.



The Wireless Manager must be installed in dry, indoor locations **ONLY**. Damp locations are defined as: interior locations subject to moderate degrees of moisture such as basements, barns, cold-storage warehouses, as well as partially protected locations under canopies, marquees and open roofed porches.



**SAVE THESE INSTRUCTIONS.**

---

### GETTING STARTED

#### Overview

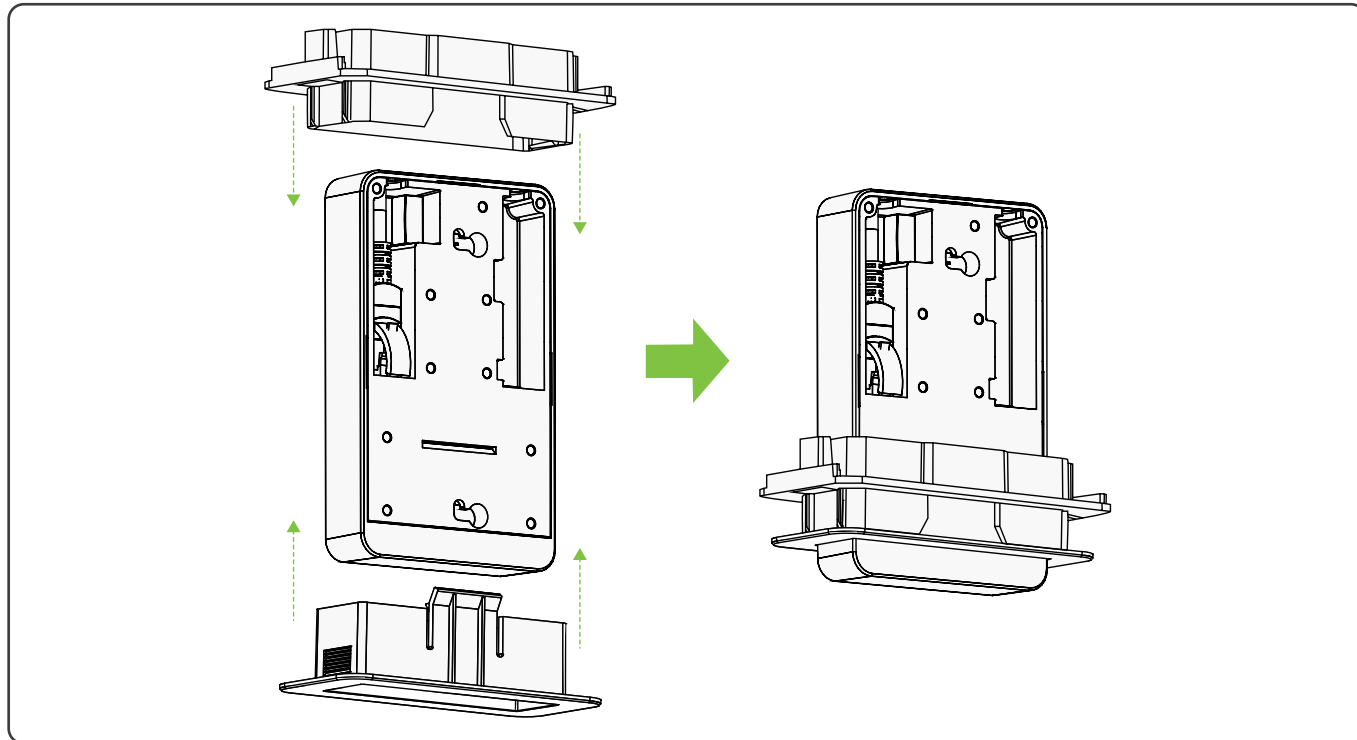
The Encelium X Wireless Manager collects, processes, and distributes lighting control information to control modules, wall stations, and sensors over a wireless mesh network.

The Wireless Manager is the central intelligence point in the system for wireless devices. It collects information from photosensors, occupancy sensors, and wall stations to enable multiple lighting control strategies. It then determines appropriate brightness levels or ON/OFF status for each fixture and zone.

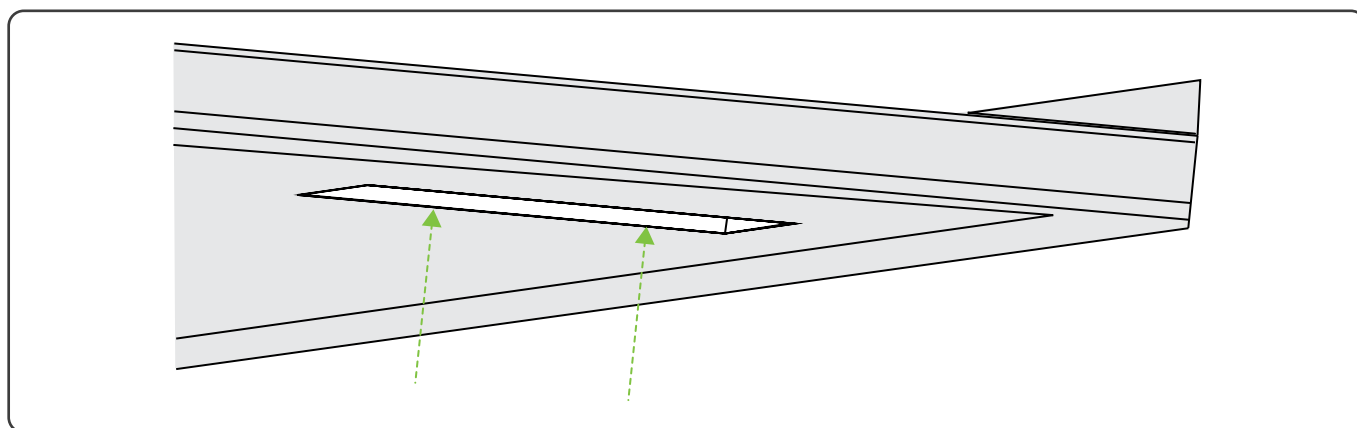
### INSTALLATION

#### Option 1 – Ceiling Tile Mount

- 1 Wireless Manager with ceiling tile mount accessories



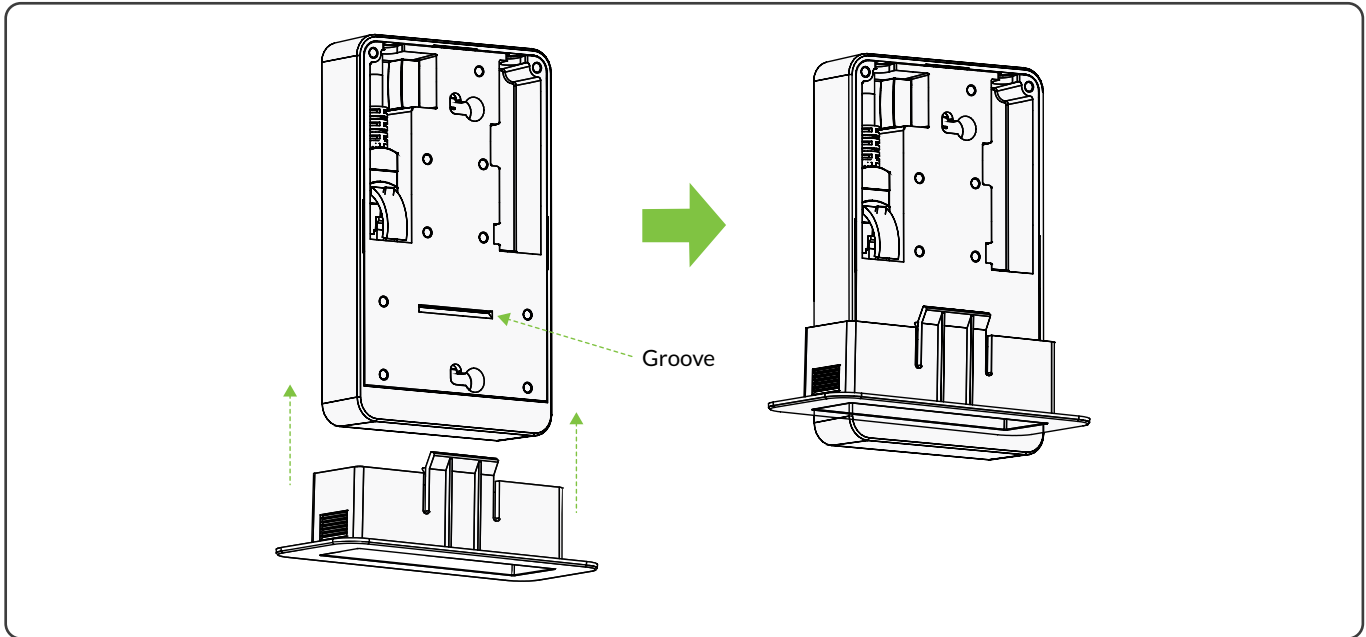
- 2 Cut a hole in the ceiling using the supplied template.



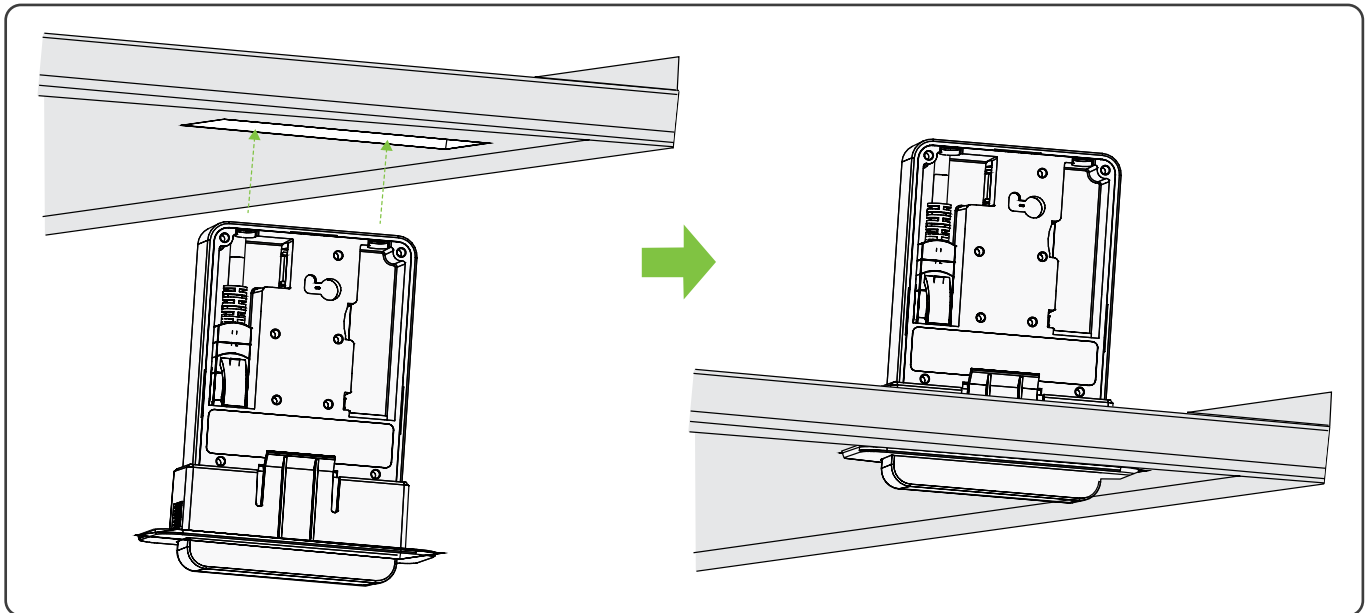
# Wireless Manager

## INSTALLATION INSTRUCTIONS

- 3 Assemble the Wireless Manager and the ceiling tile mount bracket together. Push the ceiling tile mount bracket until it snaps into the groove.



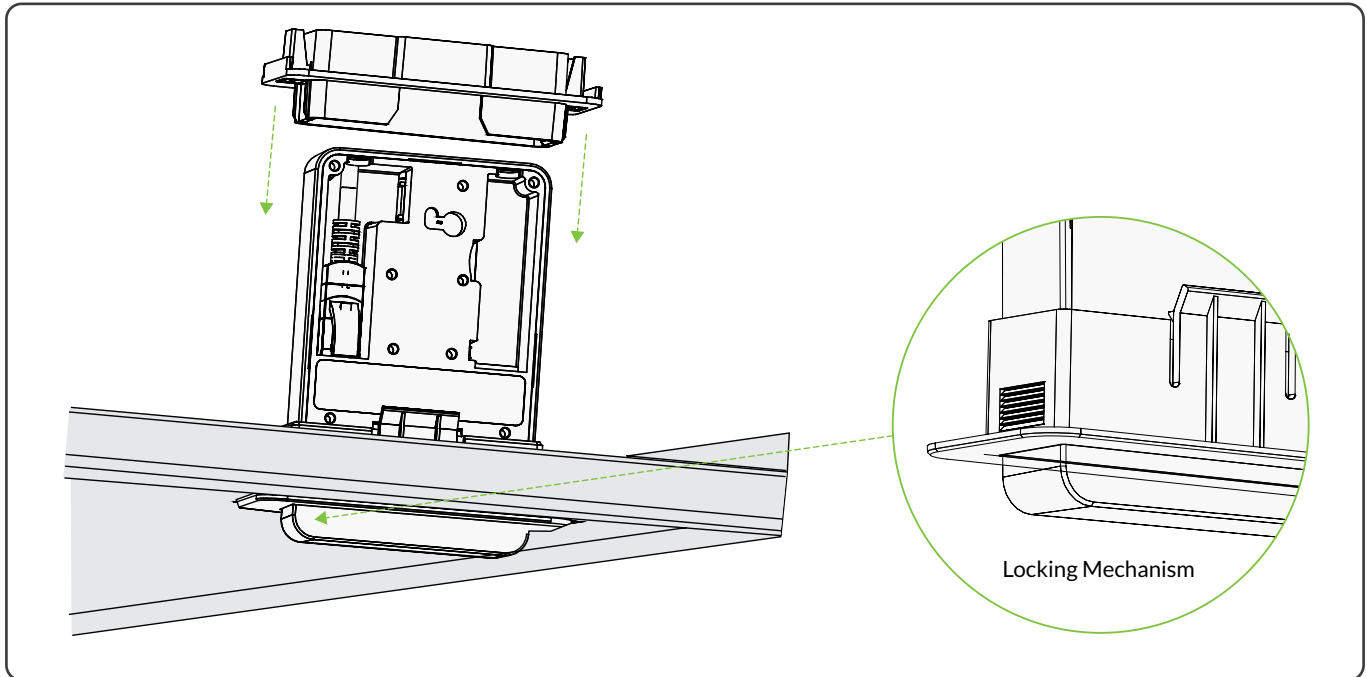
- 4 Place the assembled Wireless Manager through the ceiling tile hole.



# Wireless Manager

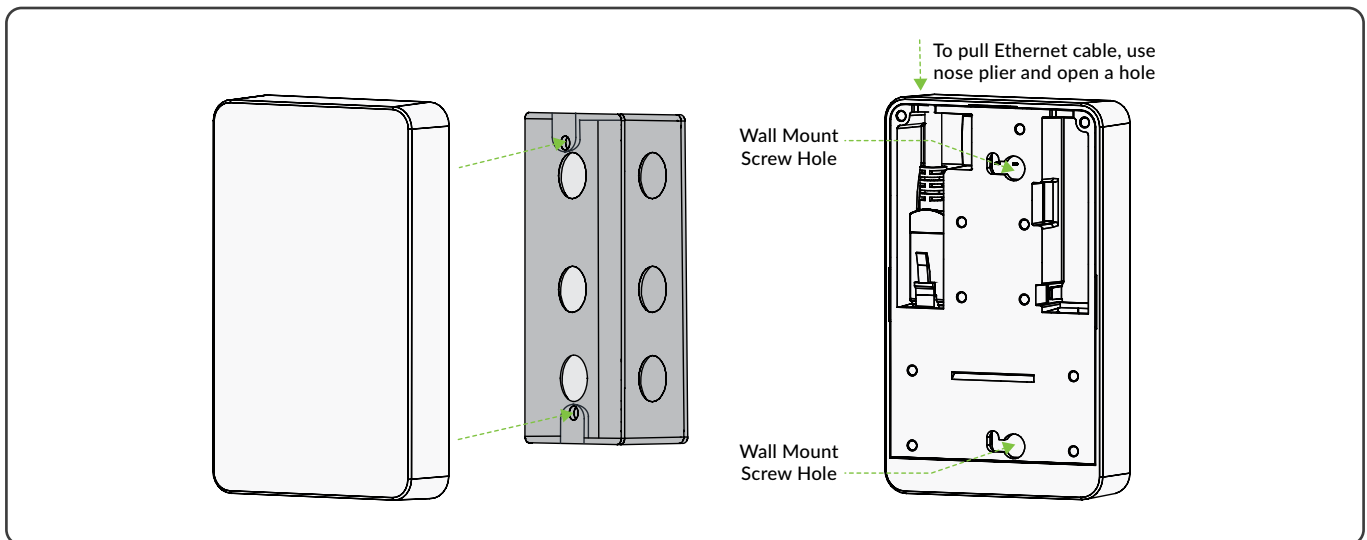
## INSTALLATION INSTRUCTIONS

- 5 Place the upper bracket on to the Wireless Manager (above the ceiling tile from the plenum area) until it locks with the lower bracket installed.

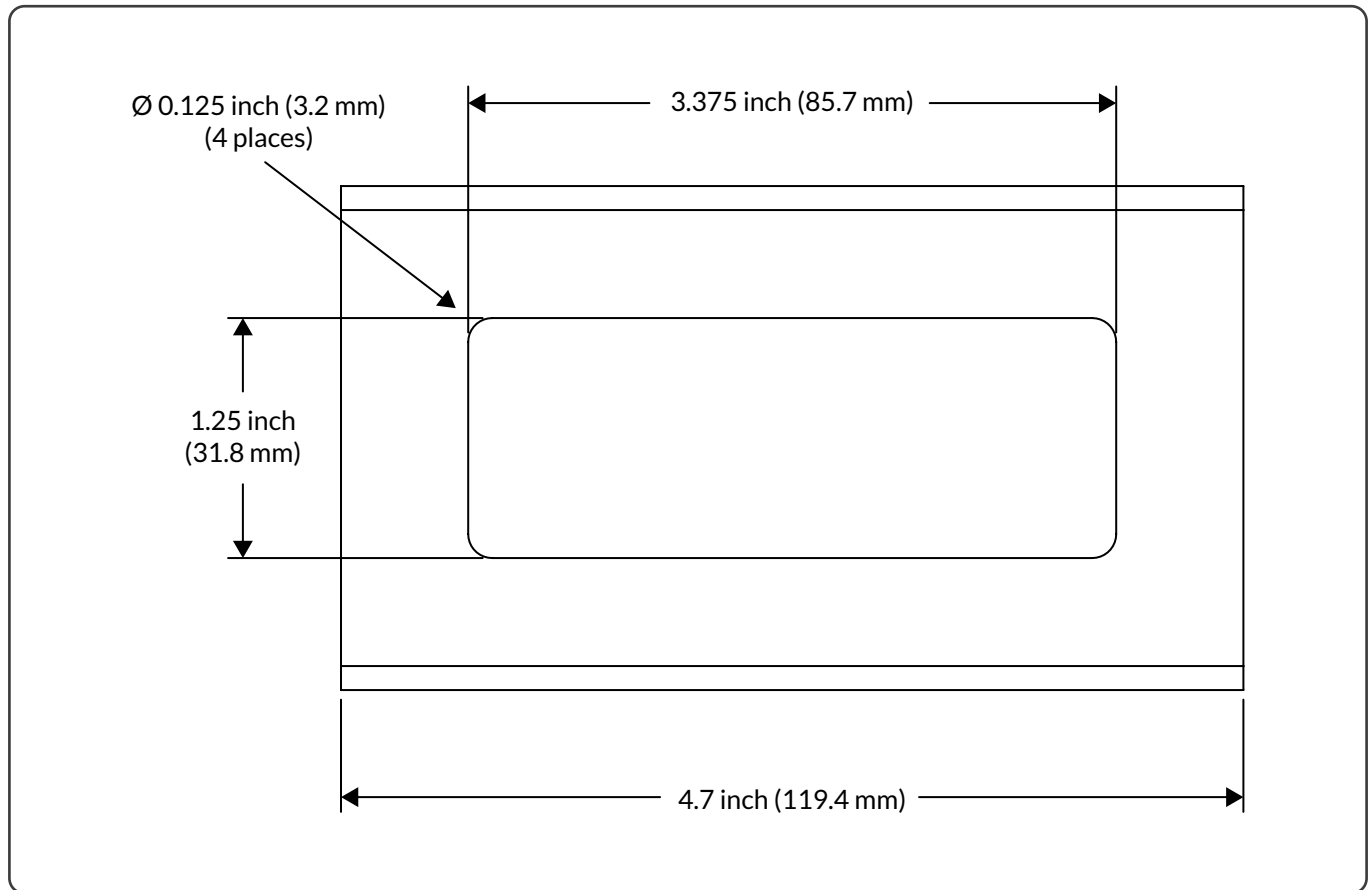


### Option 2 – Wall Mount

- 1 Align the Wireless Manager screw holes with the screws on the Junction Box (Switch wall box) and slide slightly to secure it with the junction box.



### CEILING TILE HOLE TEMPLATE



### TROUBLESHOOTING

There are no user-serviceable parts inside. For detailed information about how to set-up, install, use, and maintain Encelium hardware and software, please visit: [help.encelium.com](https://help.encelium.com)

### REGULATORY APPROVAL

Modifications not expressly approved by the manufacturer could void the user's authority to operate the equipment under FCC rules.

This equipment has been tested and found to comply with Industry Canada ICES-003 Issue 5 (CAN ICES-3 (A)/NMB-3(A)).

Contains FCC ID: H79DFZM-E7210

Contains IC ID: 4259B-DFZM7210

**Notes:** This equipment has been tested and found to comply with the limits for a Class A digital device, pursuant to part 15 of the FCC Rules. These limits are designed to provide reasonable protection against harmful interference when the equipment is operated in a commercial environment. This equipment generates, uses, and can radiate radio frequency energy and, if not installed and used in accordance with the instruction manual, may cause harmful interference to radio communications. Operation of this equipment in a residential area is likely to cause harmful interference in which case the user will be required to correct the interference at his own expense.

Copyright © 2021 Digital Lumens, Incorporated. All rights reserved. Digital Lumens, the Digital Lumens logo, We Generate Facility Wellness, SiteWorx, LightRules, Lightelligence, Encelium, the Encelium logo, Polaris, GreenBus and any other trademark, service mark, or tradename (collectively "the Marks") are either trademarks or registered trademarks of Digital Lumens, Inc. in the United States and/or other countries, or remain the property of their respective owners that have granted Digital Lumens, Inc. the right and license to use such Marks and/or are used herein as nominative fair use. Due to continuous improvements and innovations, specifications may change without notice.

DOC-000443-00 Rev A 10-21

**ENCELIUM**

[www.encelium.com](http://www.encelium.com)