

PRODUCT SAFETY

When using electrical equipment, basic safety precautions should always be followed, including the following:



READ THESE INSTRUCTIONS BEFORE USING THIS PRODUCT.



Do not mount near gas or electric heaters.



Equipment should be mounted in locations and at heights where it will not readily be subjected to tampering by unauthorized personnel.



The use of accessory equipment is not recommended by Encelium as it may cause an unsafe condition.



Do not use this equipment for other than the intended use.



Do not install the Wallstation in damp locations. Install in dry, indoor locations ONLY.



SAVE THESE INSTRUCTIONS.

GETTING STARTED

Overview

Wireless Wallstations are available in a range of colors and configurations for customized light level control. The Wireless Wallstations are battery operated devices enabling quick installation.

The following 5 wireless models are available:

- SC Series Wallstations (Scene Dimming)
- SHS Wallstation (Shade Control)
- TW Wallstation (Tunable-White)
- WS Series Wallstations (Standard)
- ZC Series Wallstations (Multi-Zone Controller)

Additionally, the following accessory is available:

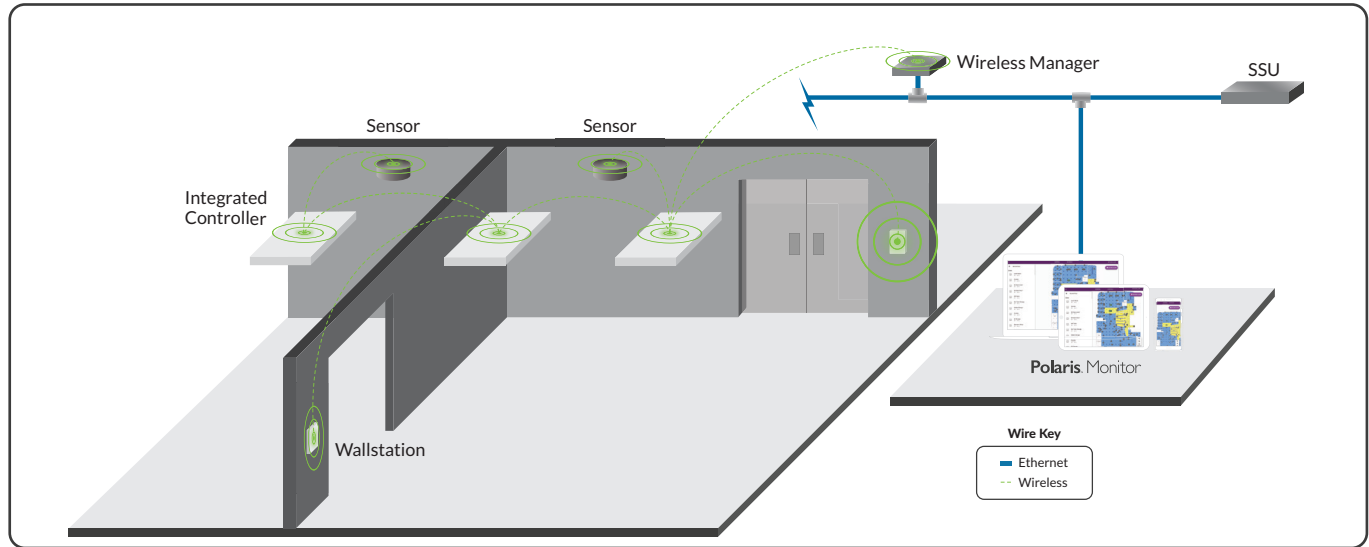
- EN-SMK-ZB-WH Surface-Mount Kit

Wireless Wallstations

INSTALLATION INSTRUCTIONS

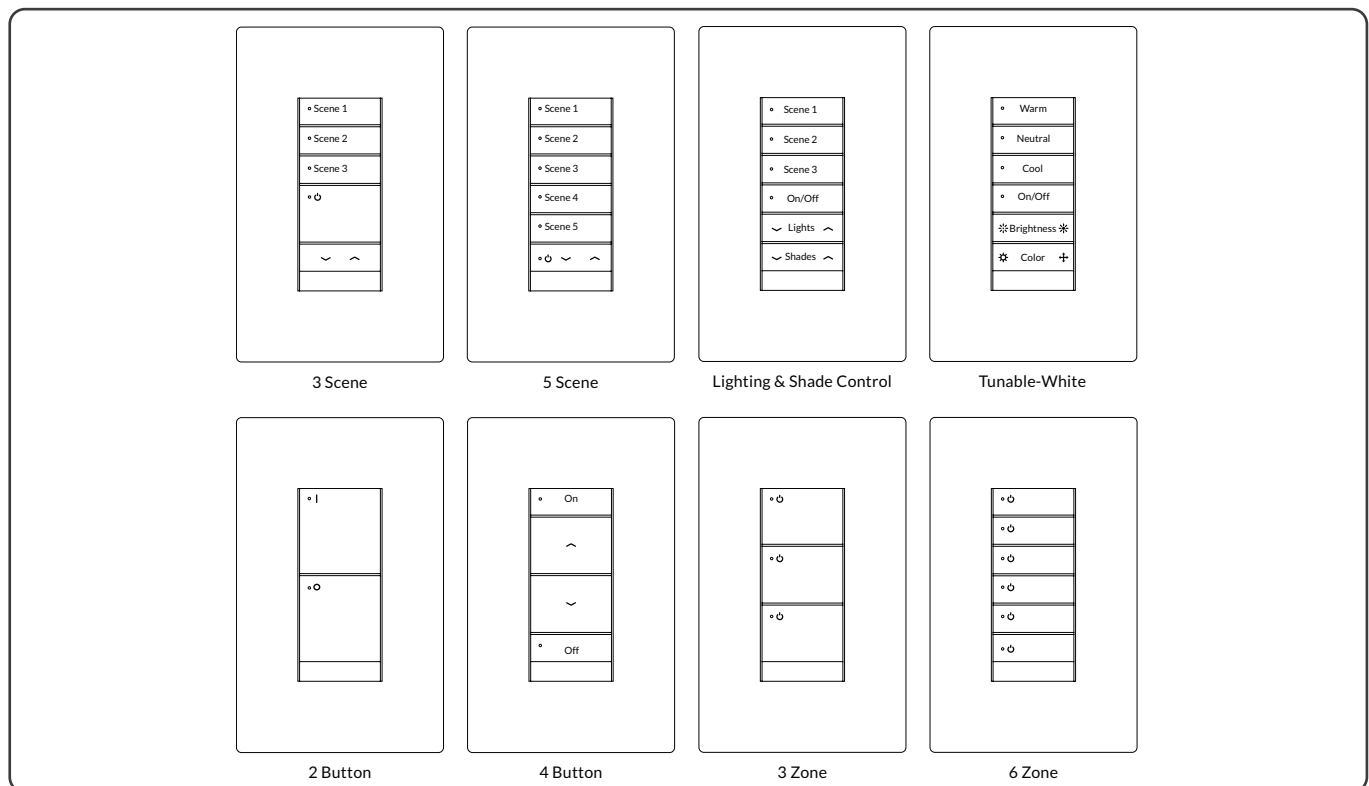
WIRELESS SYSTEM OVERVIEW

This illustration shows how each component is easily integrated into the Encelium X Lighting Control System.



WIRELESS WALLSTATION CONFIGURATIONS

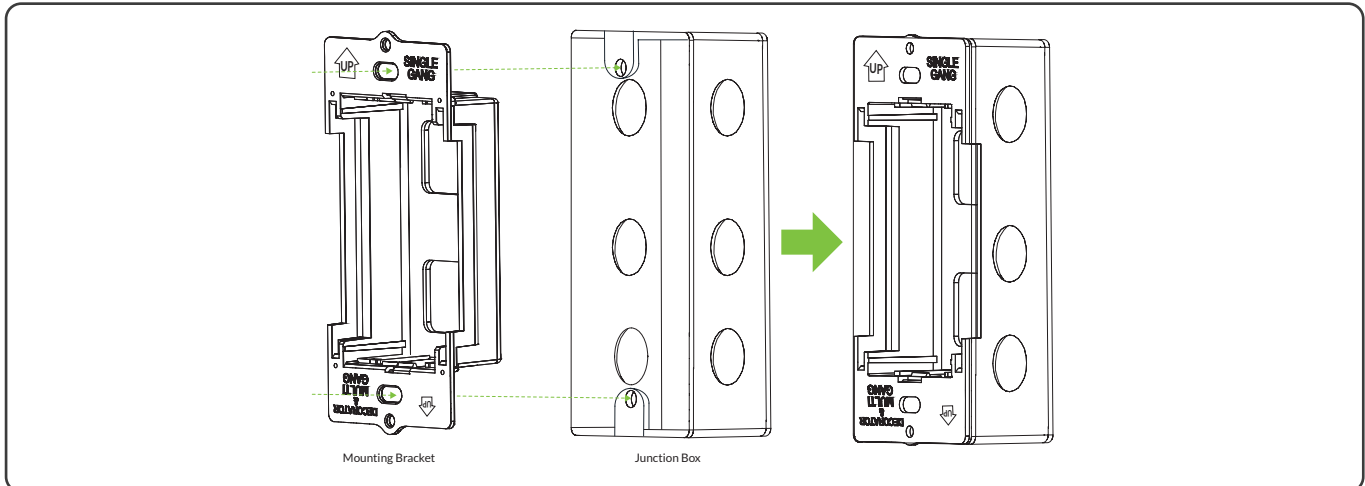
The Wireless Wallstations are available in 8 configurations: SC Series Wallstations come in 3 Scene and 5 Scene configurations, SHS Wallstation comes in a lighting and shade control configuration, TW Wallstation comes in a tunable-white configuration, WS Series Wallstations come in 2 Button and 4 Button configurations, and ZC Series Wallstations comes in 3 Zone and 6 Zone configurations.



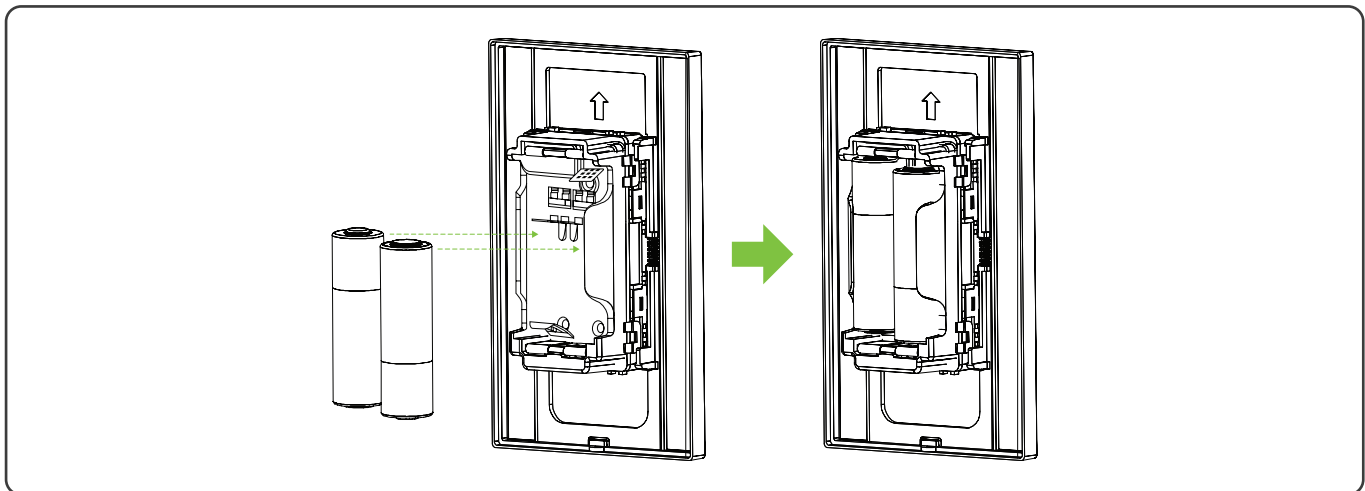
INSTALLATION

Wall Mount Installation

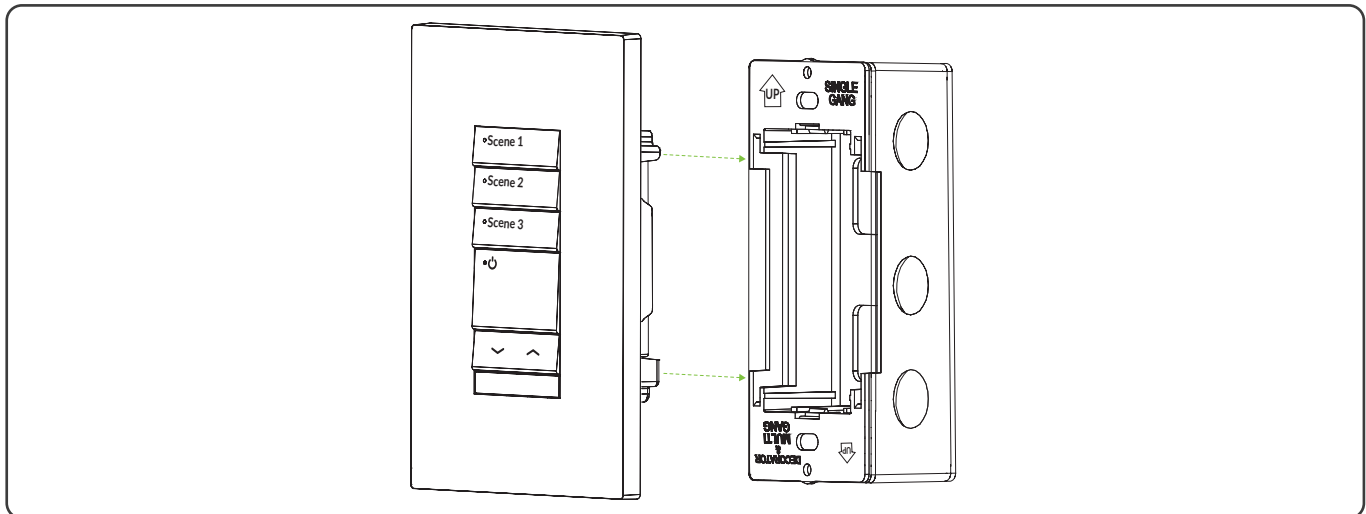
- 1 Install the mounting bracket using the supplied screws. Ensure that the SINGLE GANG label is facing up.



- 2 Install the supplied (2) AA Batteries to the Wireless Wallstation assembly. Pay attention to the battery polarity indicators.



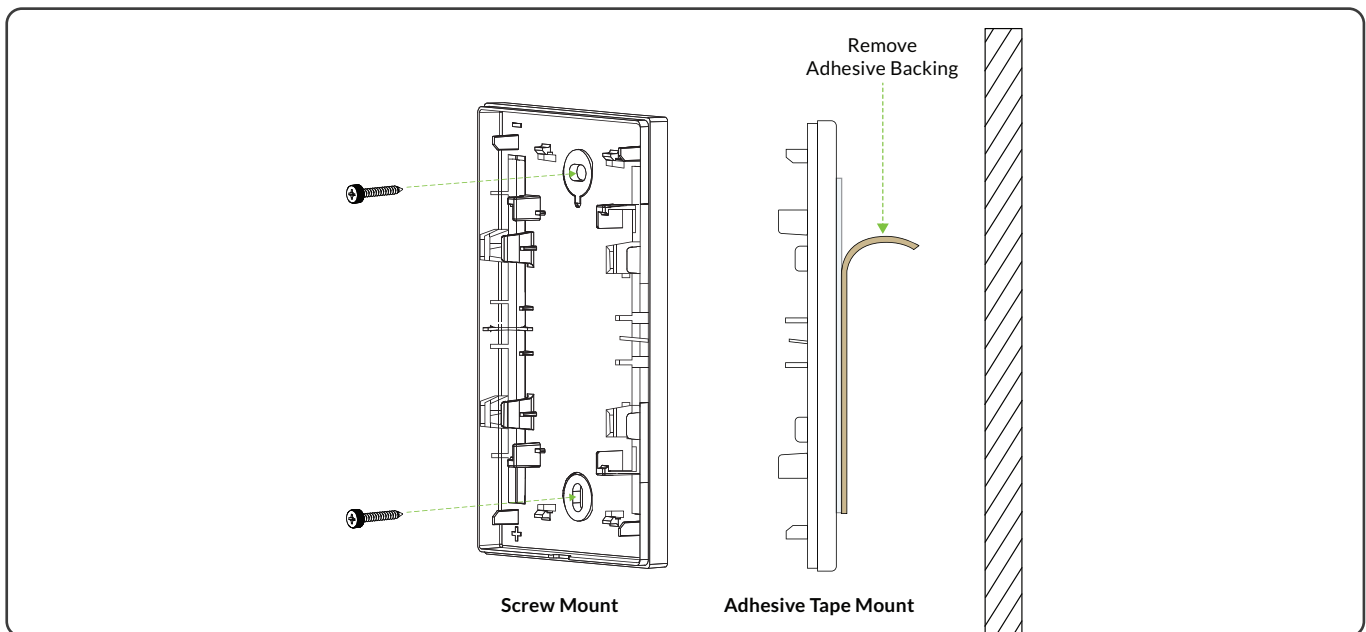
- 3 Place the Wireless Wallstation assembly into the mounting plate and push gently until 'clicks' are heard. This confirms that the pieces are secured.



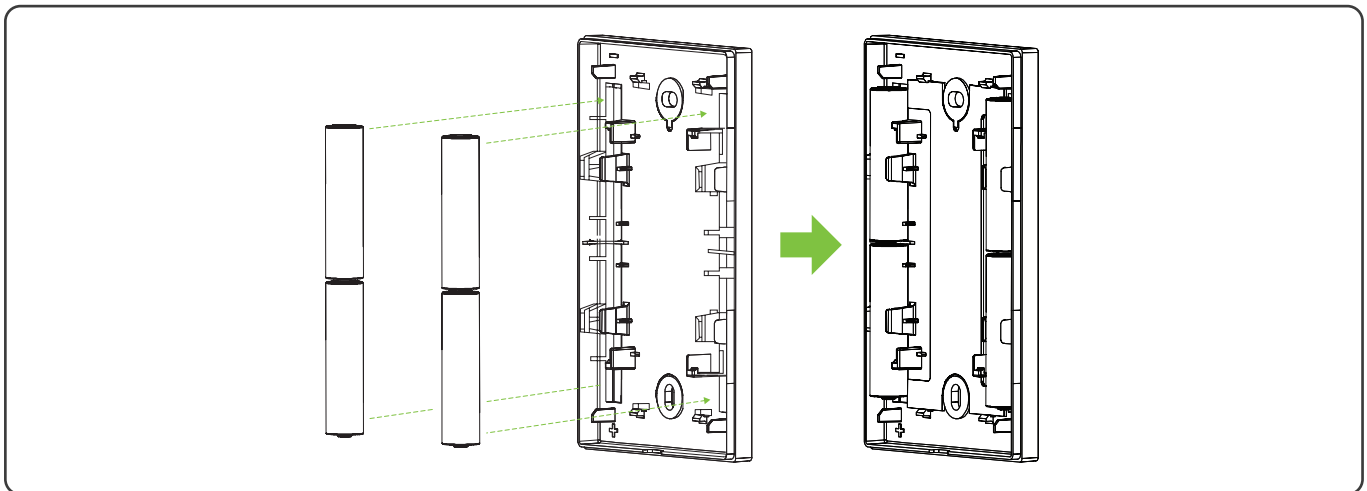
Surface Mount Kit Installation

The surface mount kit is a separate accessory that is provided on request.

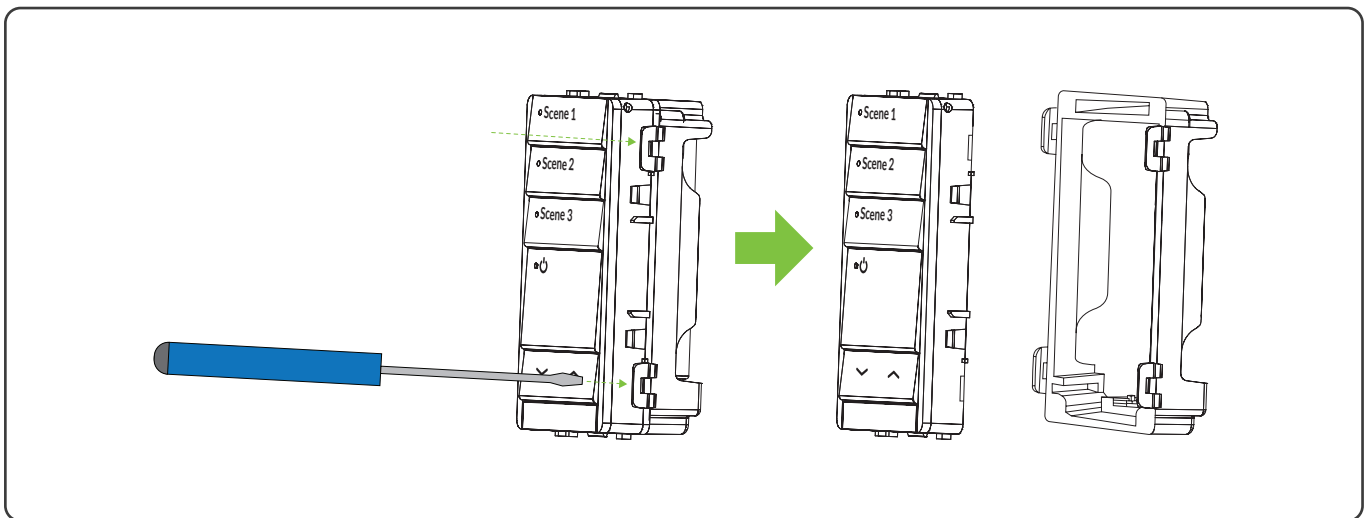
- 1 The Surface-Mount Kit is required for Wireless Wallstation Installations. Screw in the Surface Mount Kit to the wall or use adhesive tape.



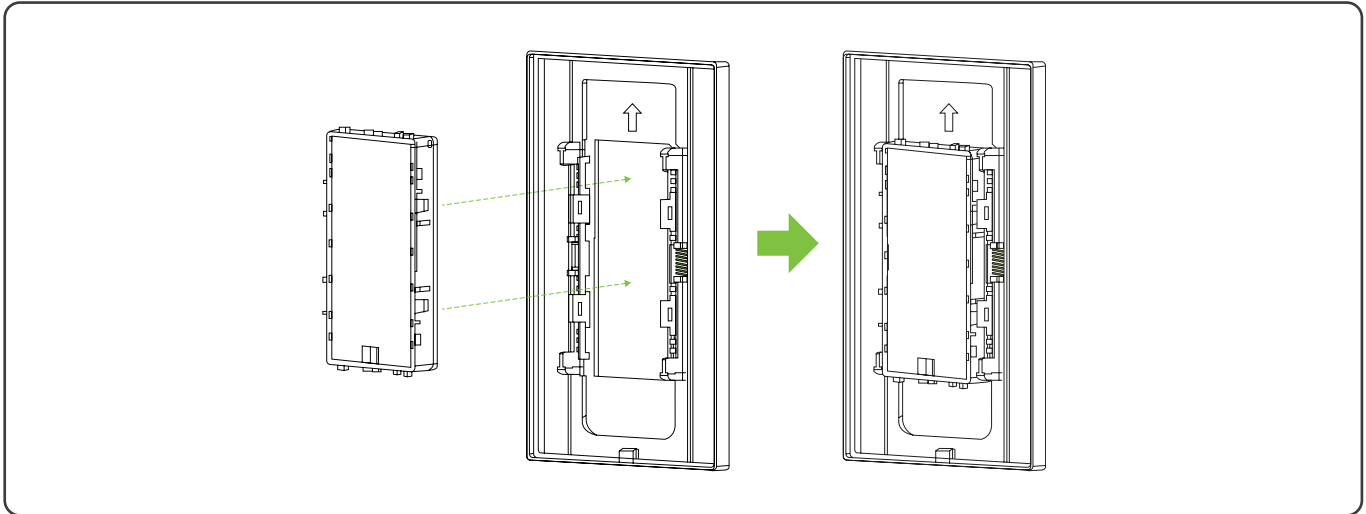
- 2 Install the supplied (4) AAA Batteries to the Wireless Wallstation assembly. Pay attention to the battery polarity indicators.



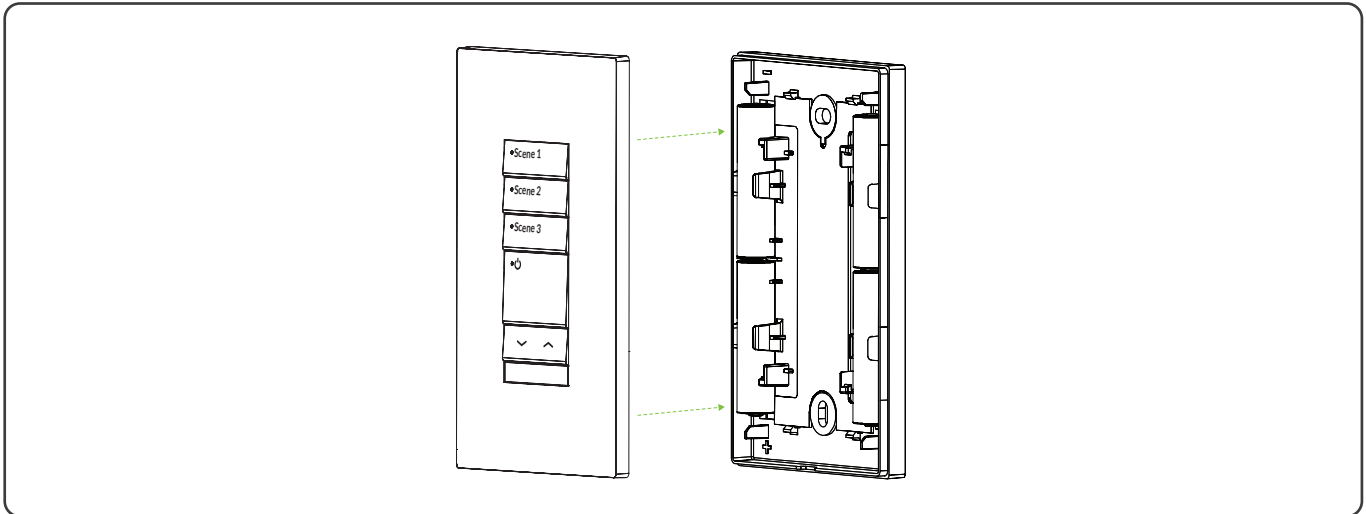
- 3 Separate the battery housing from the main Wireless Wallstation assembly. Use a small screw driver and gently lift the latches from the Wireless Wallstation assembly.



- 4 Line up and insert the Wallstation assembly into the faceplate attachment. Ensure that the faceplate firmly latches onto all 4 plastic tabs located on the sides of the Wallstation assembly.



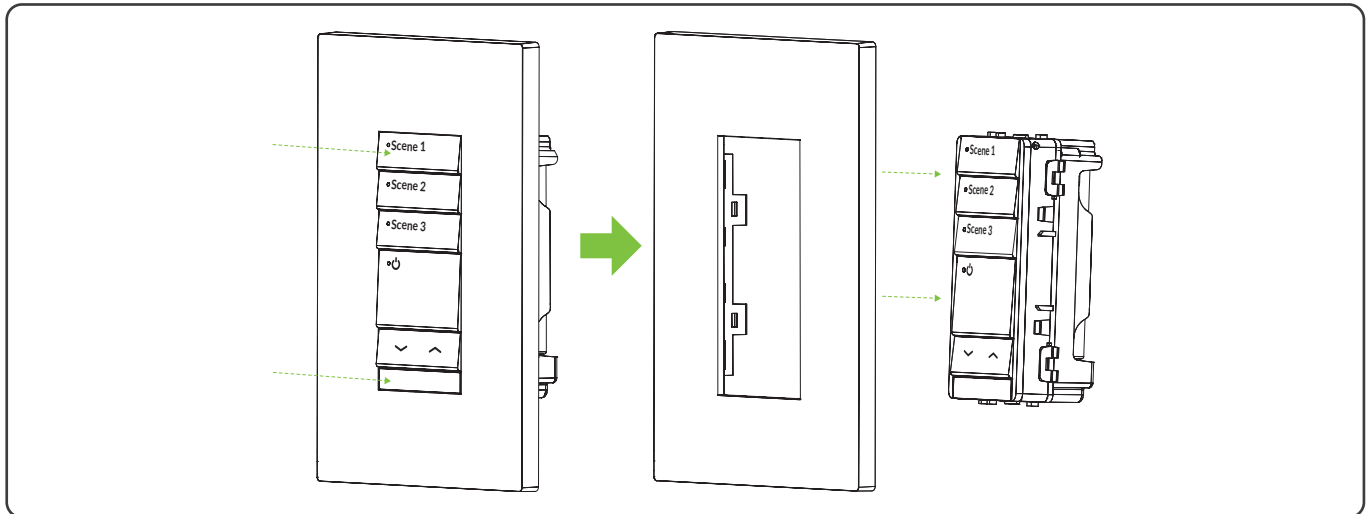
- 5 Attach the Wireless Wallstation assembly to the surface mount kit until it snaps in.



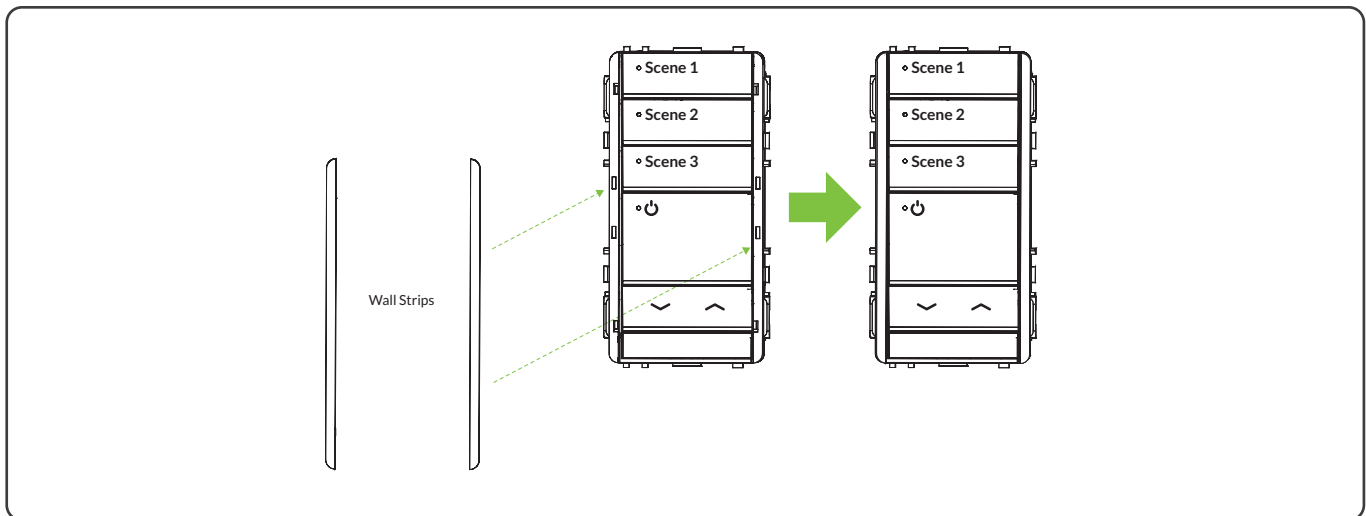
"Decora" Style Wall Plate Installation

- 1 The Wired Wallstations can also be installed with an off-the-shelf "Decora" style wall plate. Multi-gang wallstation installations require multi-gang decorator wall plates.

Remove the button assembly from the Encelium wall plate. This can be achieved by pressing the wall plate with your thumbs near the button assembly while grasping the Encelium wall plate.



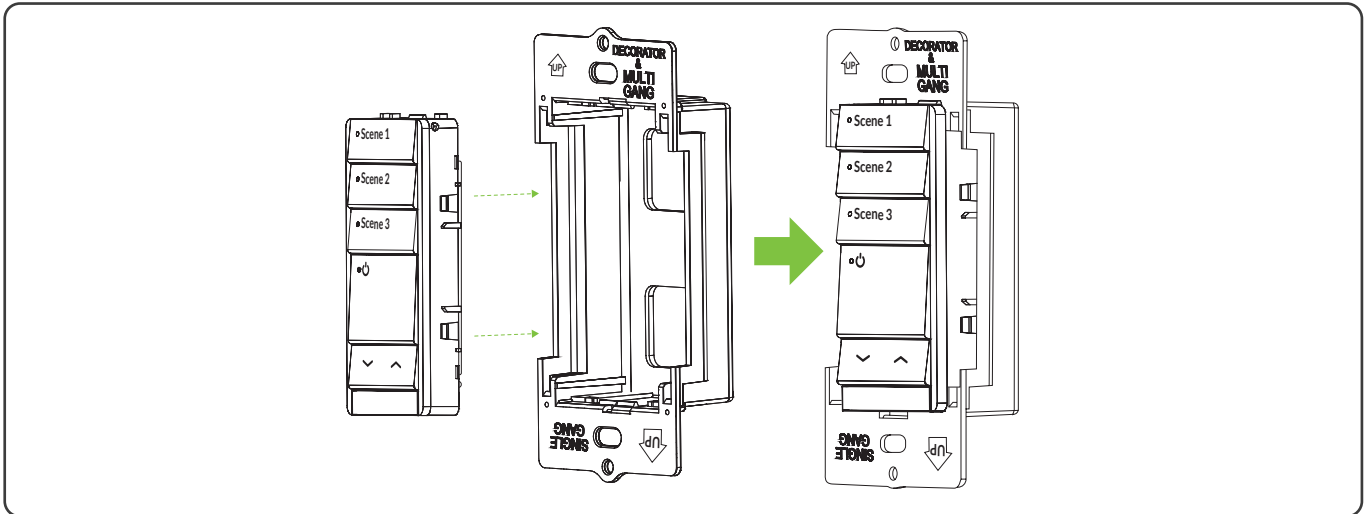
- 2 Install the supplied wall strips to the button assembly until they snap in.



Wireless Wallstations

INSTALLATION INSTRUCTIONS

- 3 Orient the mounting bracket such that the DECORATOR and MULTI GANG labels are facing up. Insert the wallstation button assembly into the mounting plate until 'clicks' are heard. Clicks confirm that the pieces are secured.



- 4 Install the mounting bracket using the supplied screws. Install the "Decora" style wall plate using screws supplied with the wall plate.

