

### PRODUCT SAFETY

When using electrical equipment, basic safety precautions should always be followed, including the following:



**READ THESE INSTRUCTIONS BEFORE USING THIS PRODUCT.**



Do not mount near gas or electric heaters.



Equipment should be mounted in locations and at heights where it will not readily be subjected to tampering by unauthorized personnel.



The use of accessory equipment is not recommended by Encelium as it may cause an unsafe condition.



Do not use this equipment for other than the intended use.



Do not install the Wallstation in damp locations. Install in dry, indoor locations ONLY.



**SAVE THESE INSTRUCTIONS.**

---

### GETTING STARTED

#### Overview

Wired Wallstations are available in a range of colors and configurations for customized light level control. The Wired Wallstations operate via GreenBus cables.

The following 5 wired models are available:

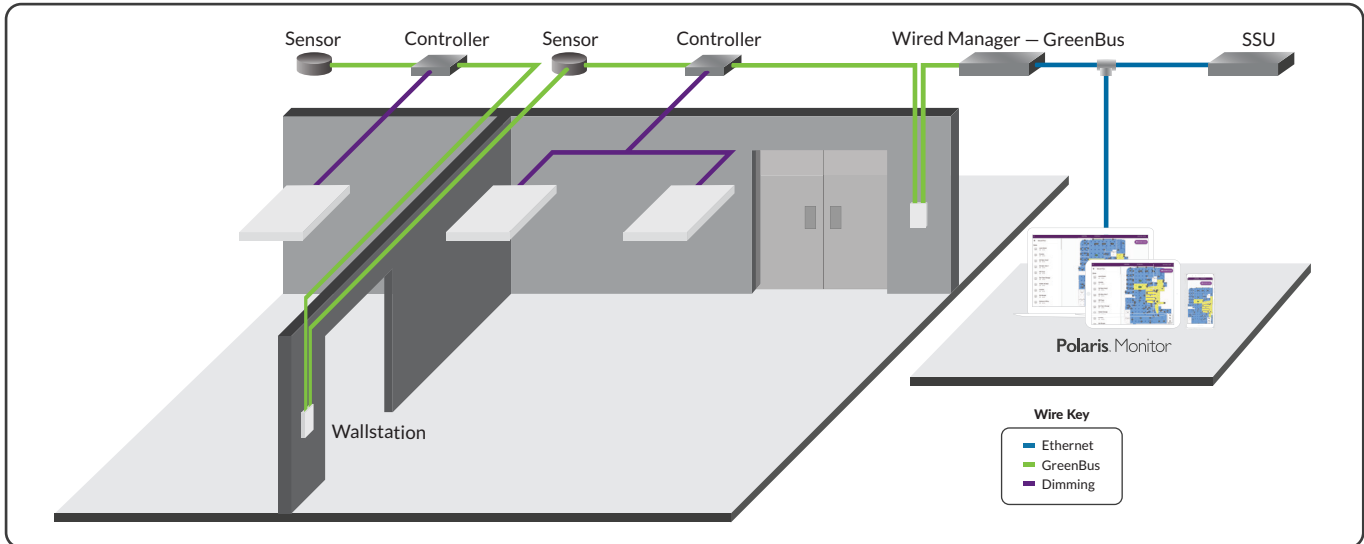
- SC Series Wallstations (Scene Dimming)
- SHS Wallstation (Shade Control)
- TW Wallstation (Tunable-White)
- WS Series Wallstations (Standard)
- ZC Series Wallstations (Multi-Zone Controller)

# Wired Wallstations

## INSTALLATION INSTRUCTIONS

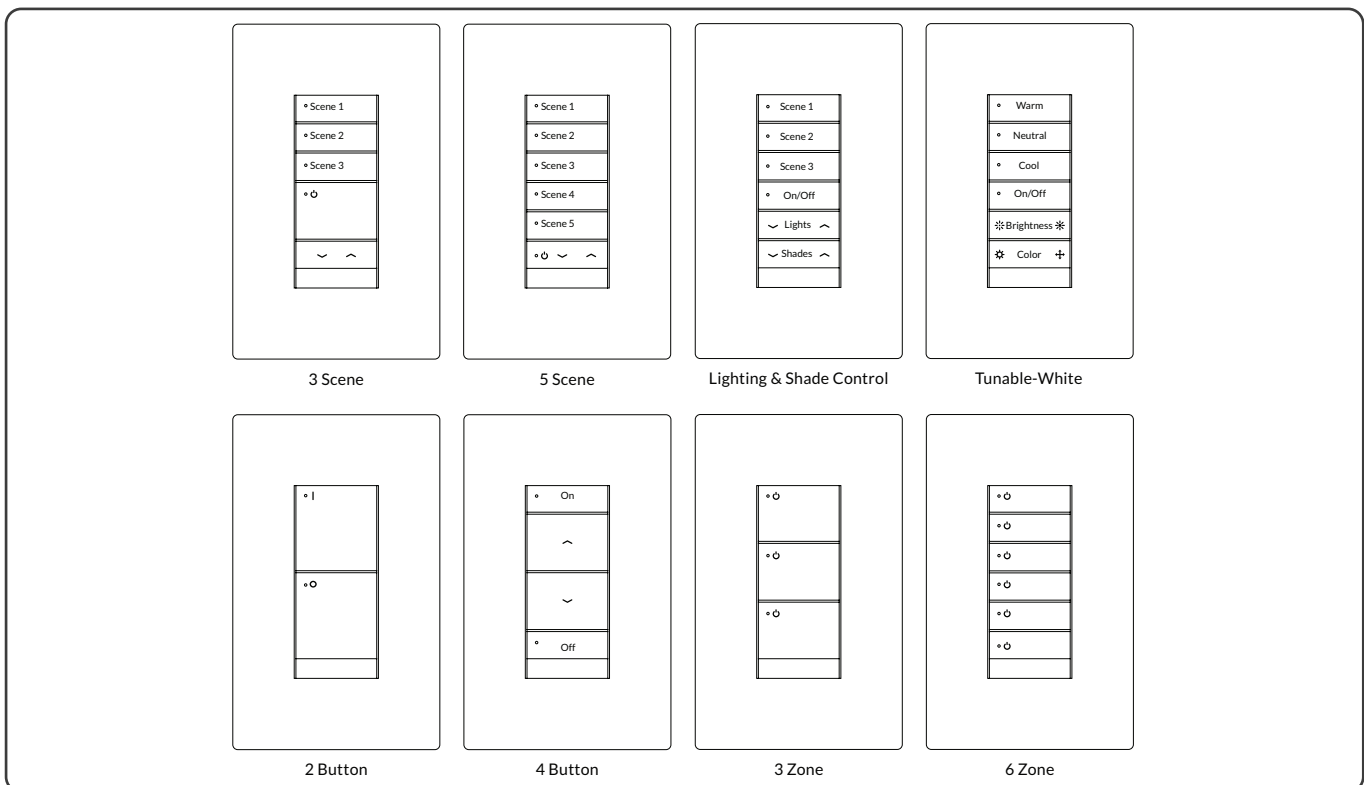
### WIRED SYSTEM OVERVIEW

GreenBus technology makes wiring fast and error-free, since it's intuitive to install. With any Encelium X wired design, you get a reliable, lighting control system that can be installed quickly and easily.



### WALLSTATION CONFIGURATIONS

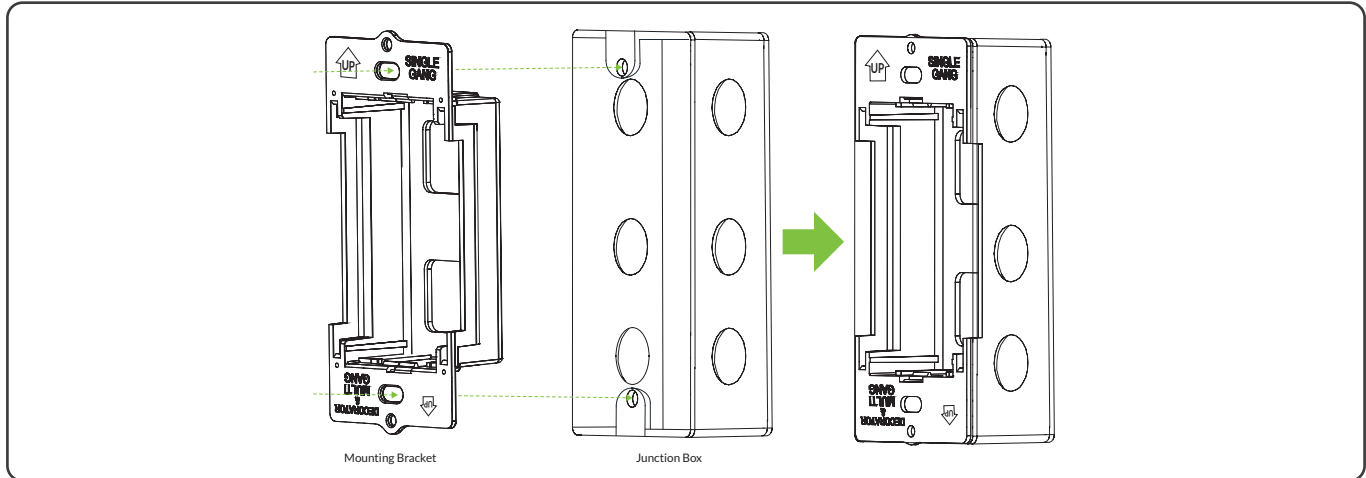
The Wired Wallstations are available in 8 configurations: SC Series Wallstations come in 3 Scene and 5 Scene configurations, SHS Wallstation comes in a lighting and shade control configuration, TW Wallstation comes in a tunable-white configuration, WS Series Wallstations come in 2 Button and 4 Button configurations, and ZC Series Wallstations comes in 3 Zone and 6 Zone configurations.



### MOUNTING OPTIONS

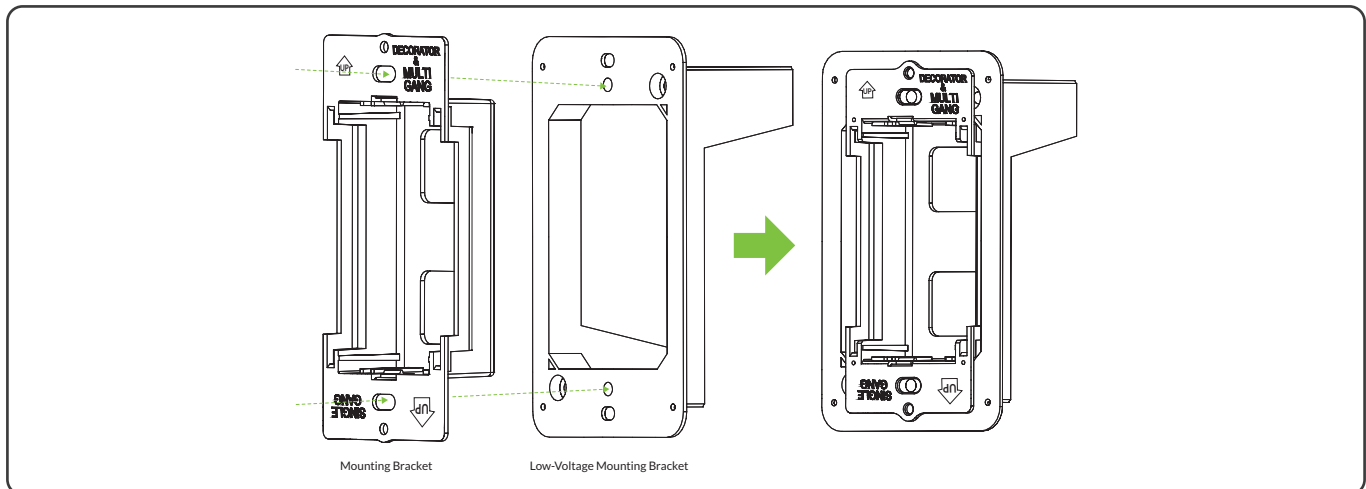
#### 1 Option 1 – Metal Device Box Installation

Install the mounting bracket using the supplied screws. Ensure that the SINGLE GANG label is facing up.



#### 2 Option 2 – Low-Voltage Device Box Installation

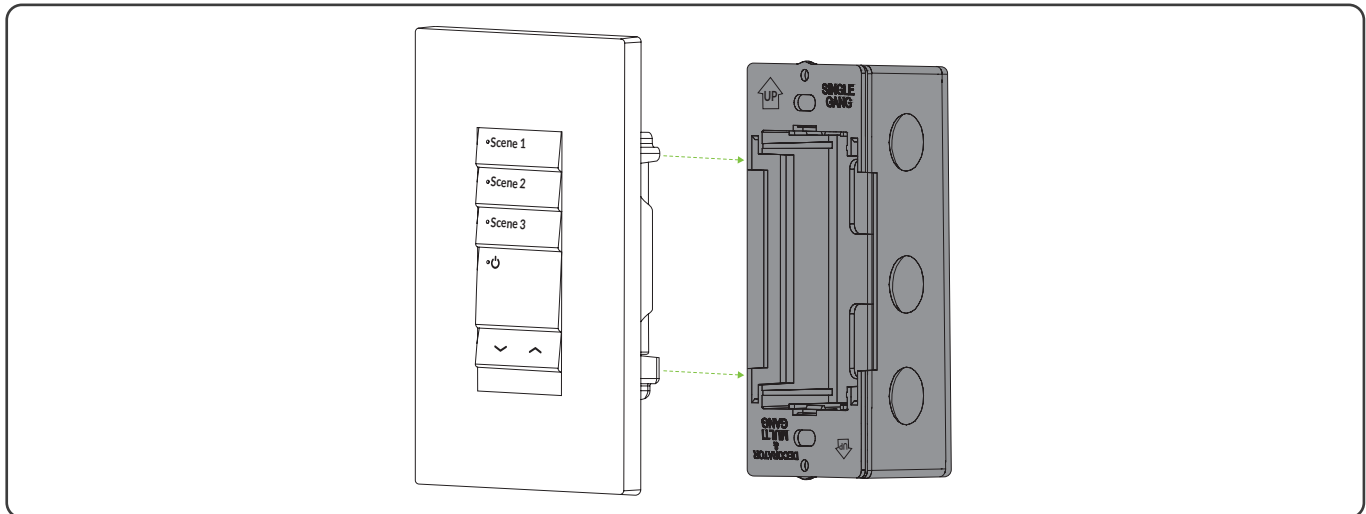
Install the mounting bracket using the supplied screws. Ensure that the MULTI GANG label is facing up.



### INSTALLATION

#### Wired Wallstation Installation

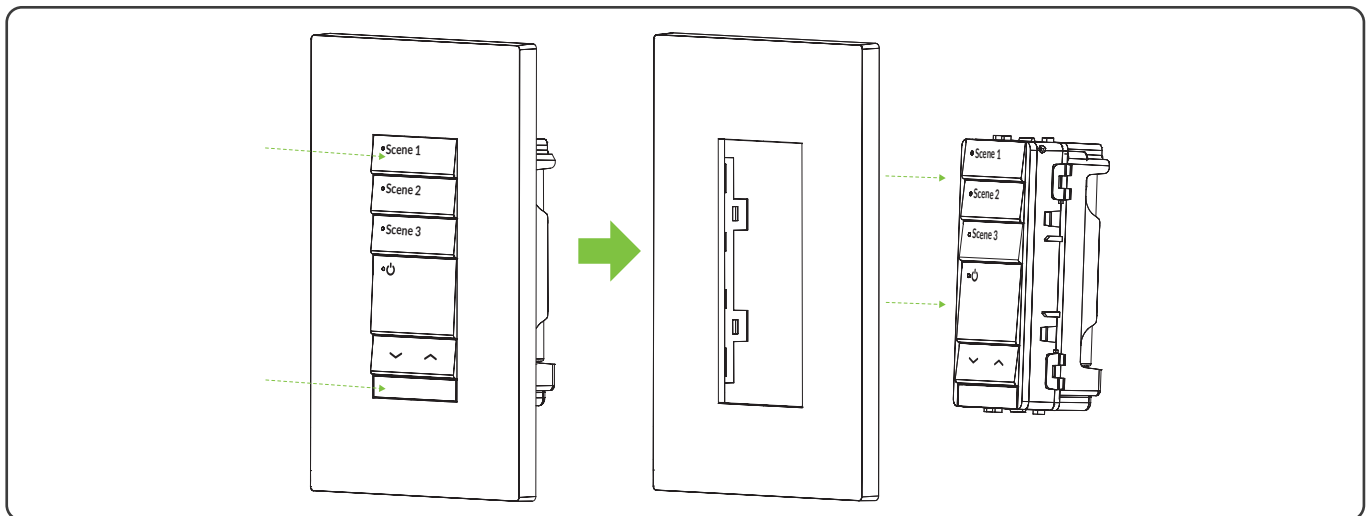
Place the Wired Wallstation assembly into the mounting plate and push gently until 'clicks' are heard. This confirms that the pieces are secured.



#### "Decora" Style Wall Plate Installation

- 1 The Wired Wallstations can also be installed with an off-the-shelf "Decora" style wall plate. Multi-gang wallstation installations require multi-gang decorator wall plates.

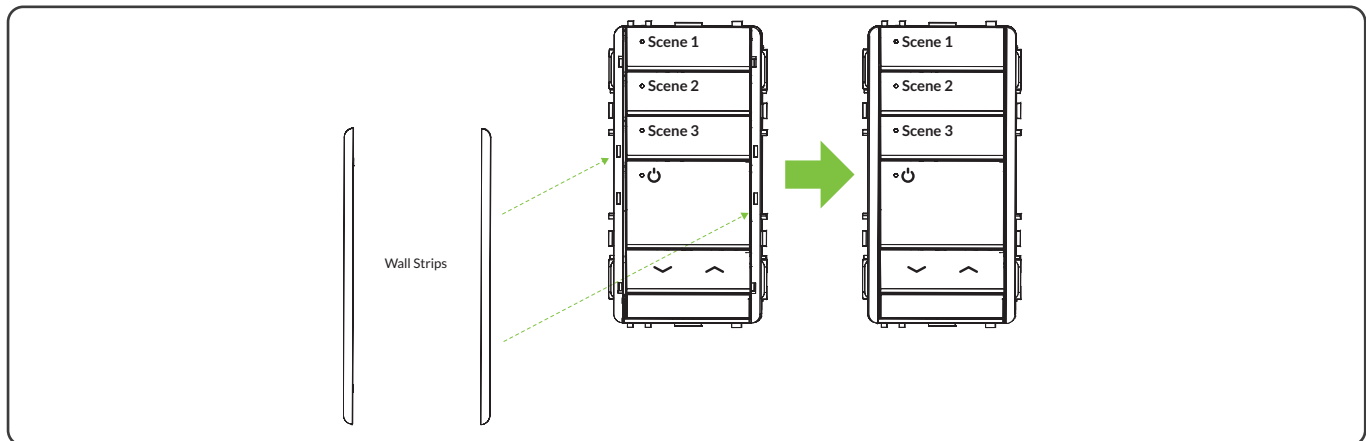
Remove the button assembly from the Encelium wall plate. This can be achieved by pressing the wall plate with your thumbs near the button assembly while grasping the Encelium wall plate.



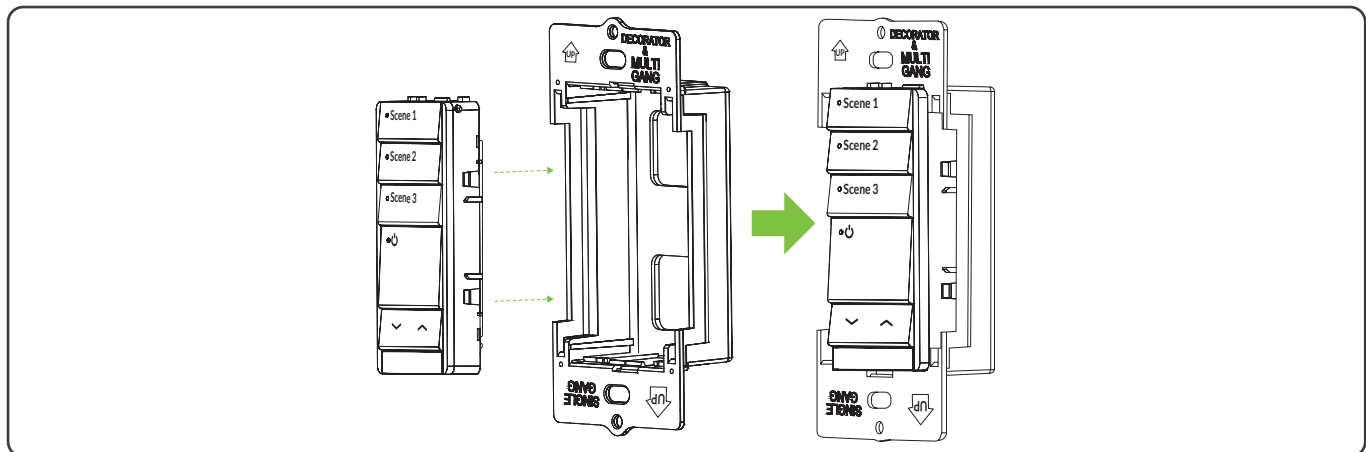
# Wired Wallstations

## INSTALLATION INSTRUCTIONS

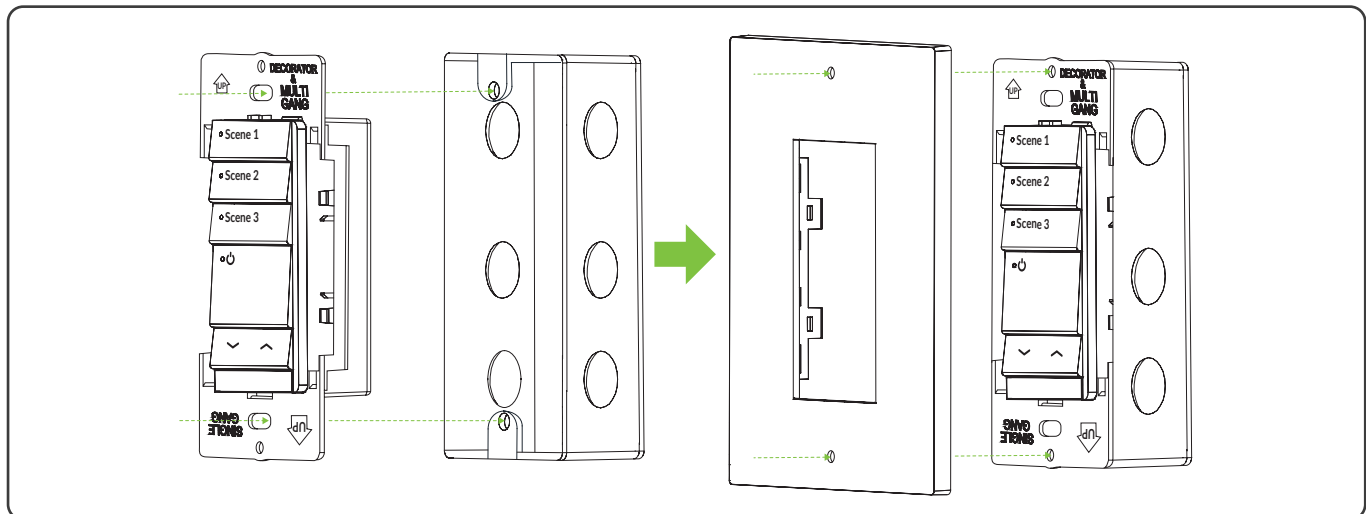
- 2 Install the supplied wall strips to the button assembly until they snap in.



- 3 Orient the mounting bracket such that the DECORATOR and MULTI GANG labels are facing up. Insert the wallstation button assembly into the mounting plate until 'clicks' are heard. Clicks confirm that the pieces are secured.

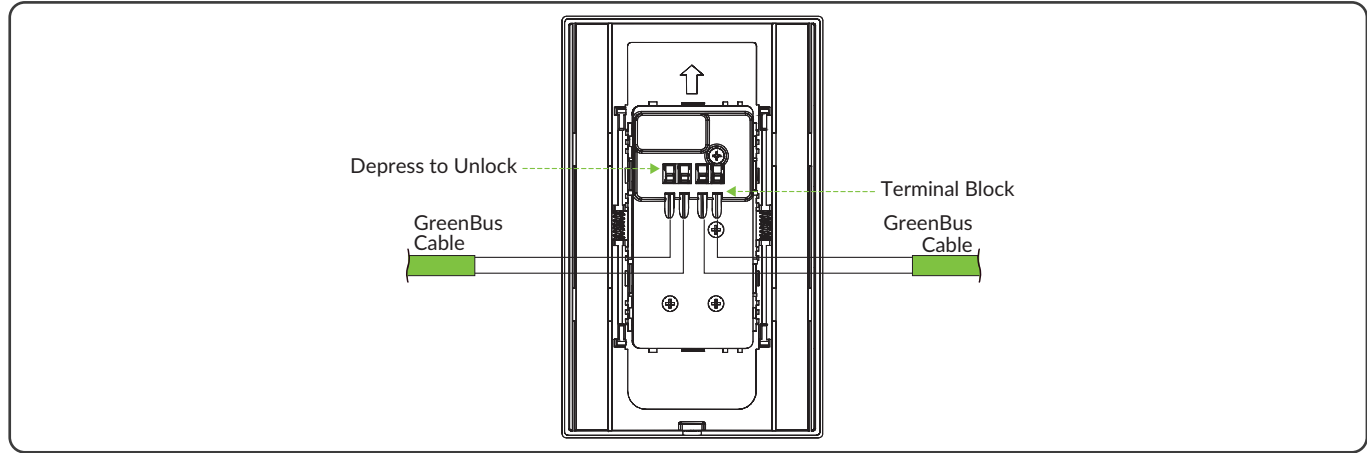


- 4 Install the mounting bracket using the supplied screws. Install the "Decora" style wall plate using screws supplied with the wall plate.



### ELECTRICAL CONNECTIONS

#### 1 Wired Wallstation Wiring



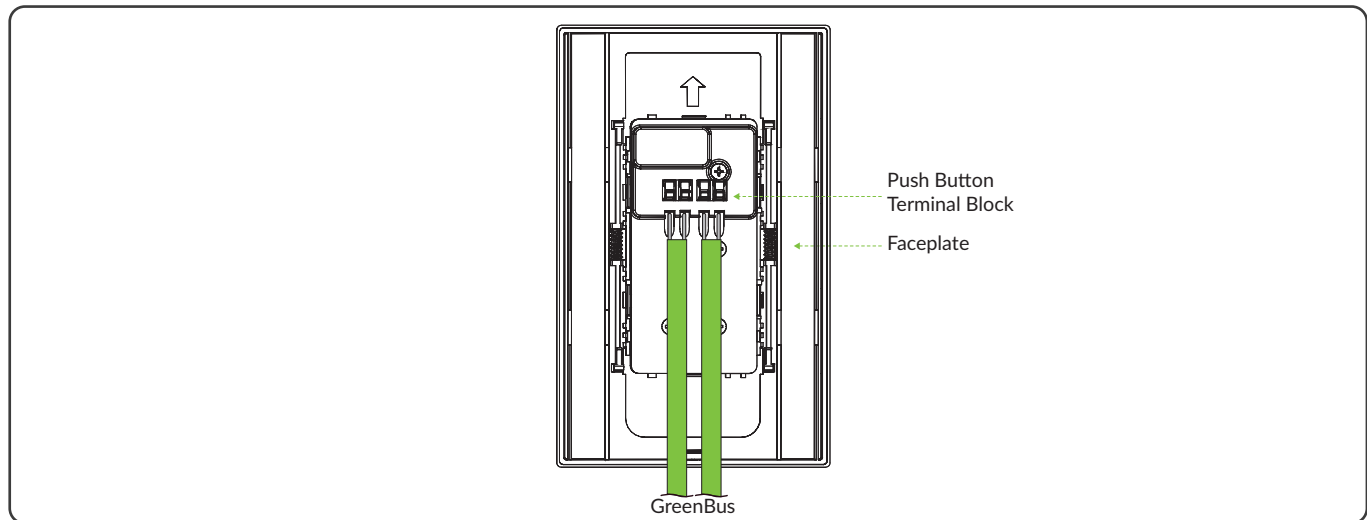
#### 2 GreenBus

GreenBus is a low-cost, high reliability communication standard used to report occupancy status signals, daylight readings and user inputs received via Wired Wallstations to the Encelium System.

When used in the Encelium X Lighting Control System, the GreenBus wiring originates at the Wired Manager and propagates in a daisy-chain from module to module (or other compatible equipment).

When used in the Encelium Standalone Wireless Light Management System, the GreenBus wiring is used to connect a wired wallstation directly to a Wireless Area Light Controller (WALC) or Wireless Control Module (WCM).

GreenBus must be laid out as per supplied system layout drawing. If changes are required, determine an optimum wiring path utilizing the supplied prefabricated cables, based on the position of luminaires, sensors and Wired Wallstations. The number of modules on each chain is limited since the modules obtain power via the GreenBus cable.



**Notes:** GreenBus wires should not be crossed and are polarity independent. A short GreenBus jumper can be used to interconnect ganged wallstations. GreenBus wires can be inserted into either of the 2-ports. Press the corresponding button to insert the wires.

To remove the wires, press the corresponding button and pull the wires out while rotating them in a circular motion.

If the devices are connected with a method other than daisy-chain, this must be indicated to an Encelium Representative for approval before wiring.