



PRODUCT SAFETY

When using electrical equipment, basic safety precautions should always be followed, including the following:

-  **READ THESE INSTRUCTIONS BEFORE USING THIS PRODUCT.**

-  Do not let power supply cords touch hot surfaces.
-  Do not mount near gas or electric heaters.
-  Equipment should be mounted in locations and at heights where it will not readily be subjected to tampering by unauthorized personnel.

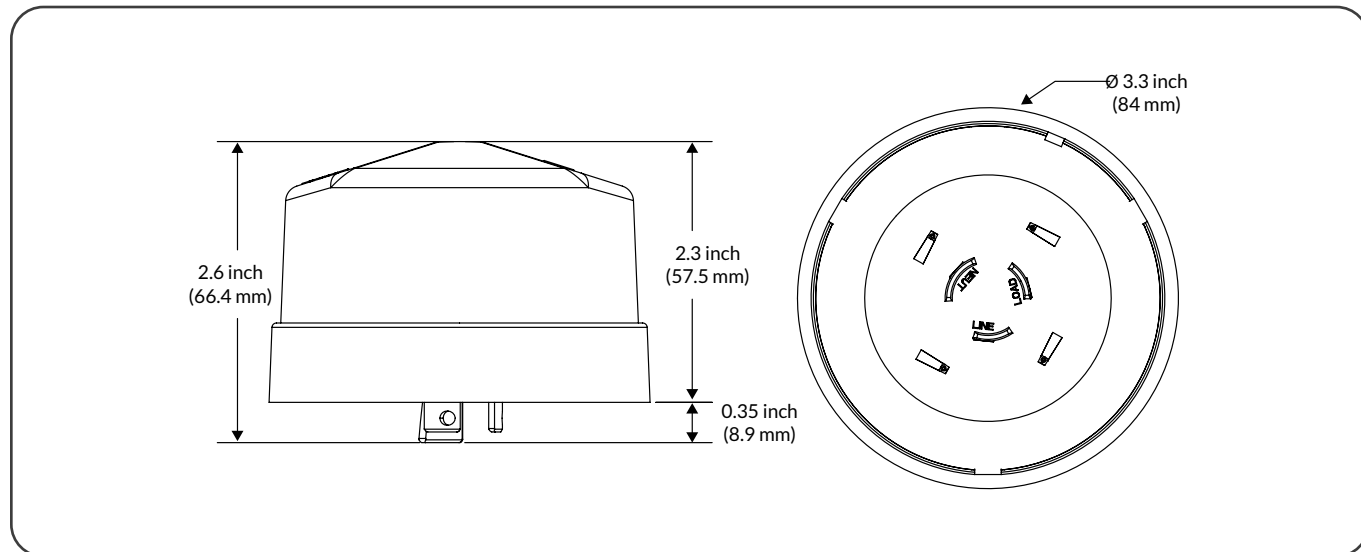
-  The use of accessory equipment is not recommended by Encelium as it may cause an unsafe condition.
-  Do not use this equipment for other than the intended use.

-  **SAVE THESE INSTRUCTIONS.**

GETTING STARTED

Verify WSLC

Review WSLC dimensional drawings.

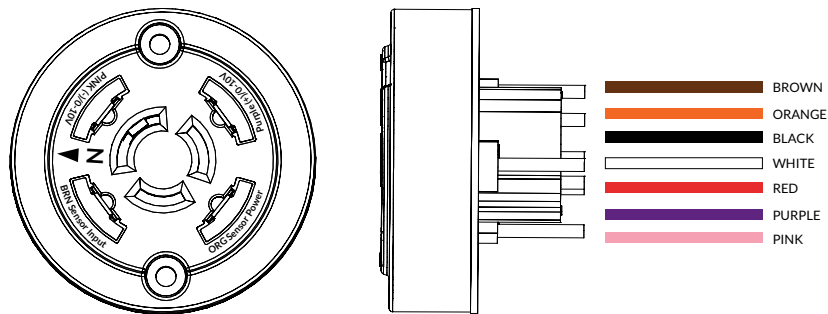


INSTALLATION

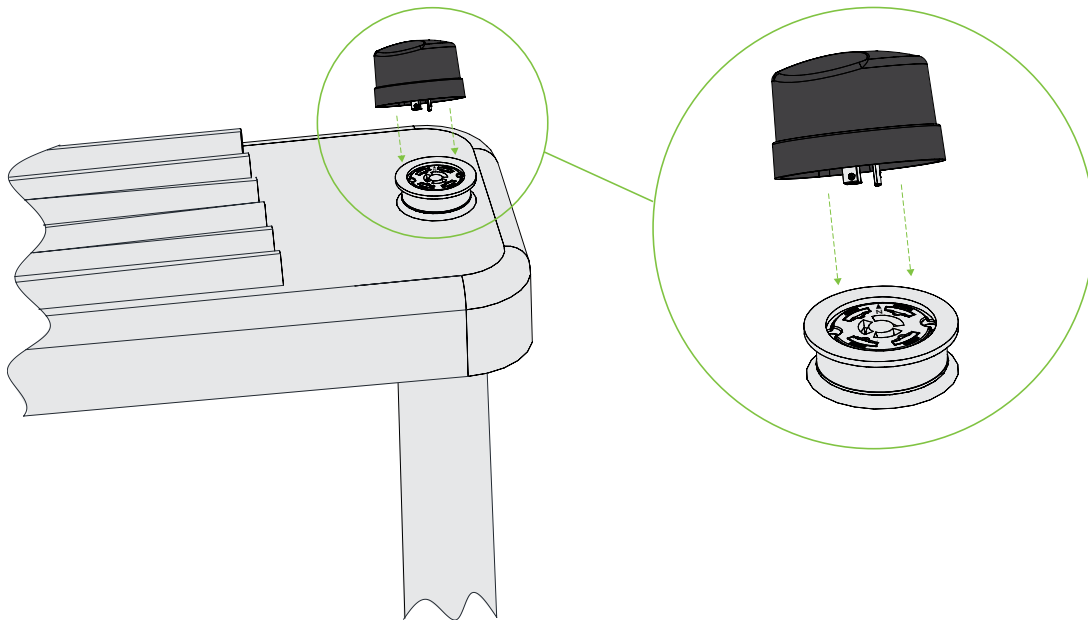
- 1 Remove the shorting or open cap if supplied with the luminaire. WSLCs can be installed on luminaires that feature ANSI C136.41-compliant receptacles.

Notes: Receptacle caps, if supplied with the luminaire, are used for closing or opening the socket circuit. In addition, these caps can offer weatherproof protection for the receptacles that are not yet fitted with the WSLC Module.

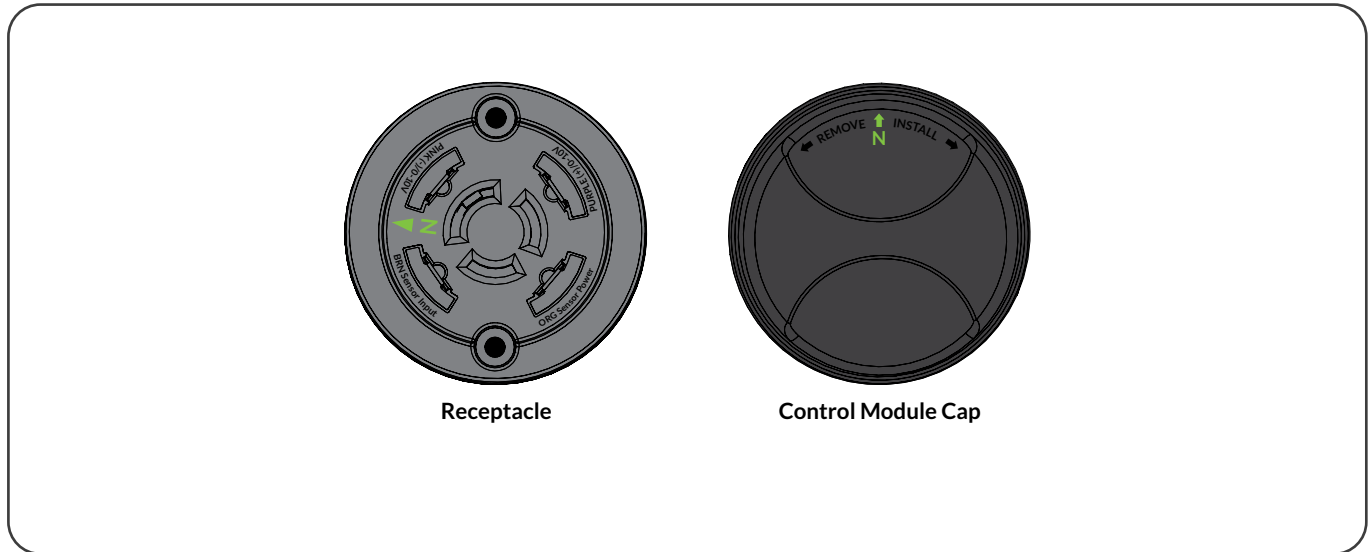
⚠ Ensure power to the receptacle has been disconnected before beginning to remove/mount the receptacle.



- 2 Place the WSLC Module firmly into the receptacle (not supplied by Encelium,) and twist it clockwise (Install arrow) until it locks in place.



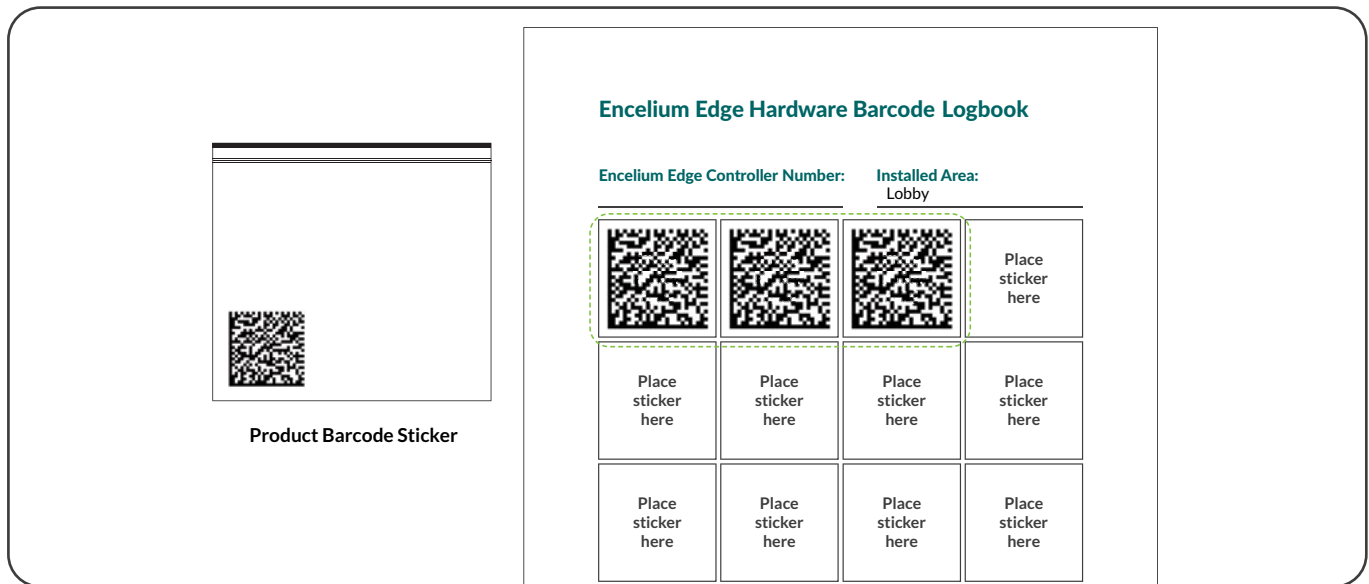
- 3 Mount the control with the arrow and 'N' on the cover facing north.



Notes: The receptacle assembly may have to be rotated to face north.

HARDWARE BARCODE LOGBOOK

For Encelium Edge installations, remove the barcode sticker from the transparent bag that is supplied in the product packaging and place the sticker in the supplied handbook.



TROUBLESHOOTING

There are no user-serviceable parts inside of the WSLC. Please return the device to Encelium if service is required.

Copyright © 2021 Digital Lumens, Incorporated. All rights reserved. Digital Lumens, the Digital Lumens logo, We Generate Facility Wellness, SiteWorx, LightRules, Lightelligence, Encelium, the Encelium logo, Polaris, GreenBus and any other trademark, service mark, or tradename (collectively "the Marks") are either trademarks or registered trademarks of Digital Lumens, Inc. in the United States and/or other countries, or remain the property of their respective owners that have granted Digital Lumens, Inc. the right and license to use such Marks and/or are used herein as nominative fair use. Due to continuous improvements and innovations, specifications may change without notice.

DOC-000434-00 Rev A 09-21

ENCELIUM

www.encelium.com