






### PRODUCT SAFETY

When using electrical equipment, basic safety precautions should always be followed, including the following:

 **READ THESE INSTRUCTIONS BEFORE USING THIS PRODUCT.**

-  Do not let power supply cords touch hot surfaces.
-  Do not mount near gas or electric heaters.
-  Equipment should be mounted in locations and at heights where it will not readily be subjected to tampering by unauthorized personnel.
-  The use of accessory equipment is not recommended by Encelium as it may cause an unsafe condition.
-  Do not use this equipment for other than the intended use.

 **SAVE THESE INSTRUCTIONS.**

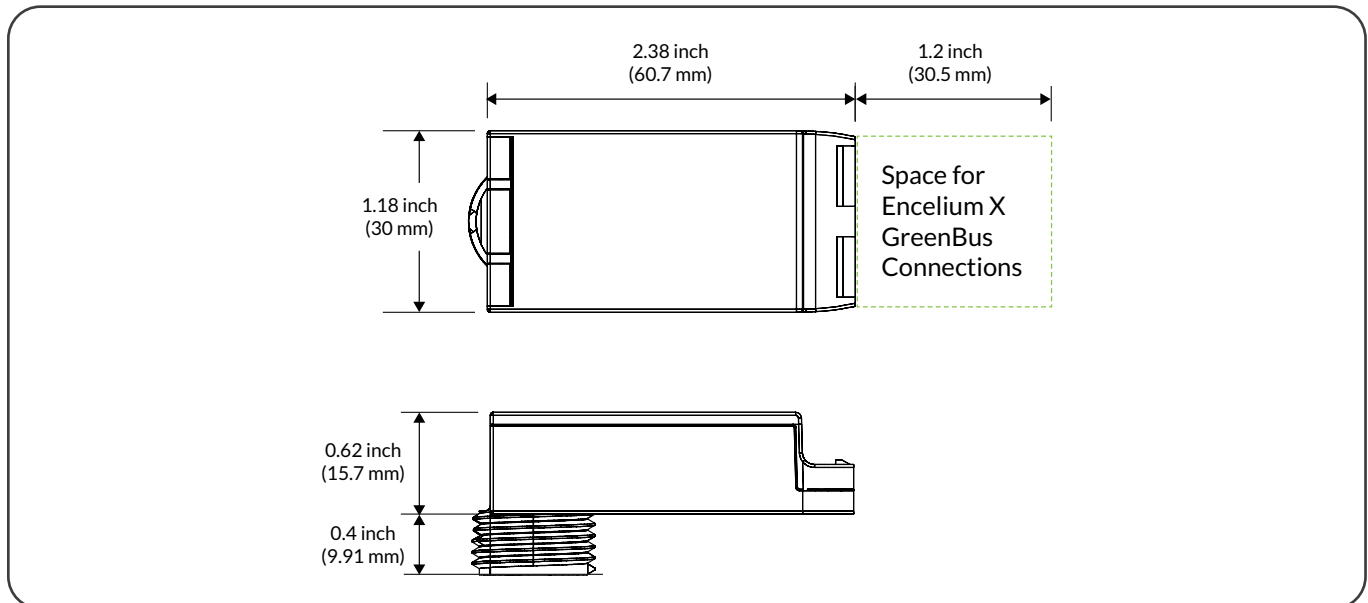
### GETTING STARTED

#### Overview

The Luminaire Control Module (LCM) is available in two models: indoor and damp rated.

#### Verify LCM

Review the LCM dimensional drawings.



### INSTALLATION

- 1 The LCM dimming interface (Purple and Pink wires) is a Class 2 circuit. Secure the retainer nut before wiring the module.

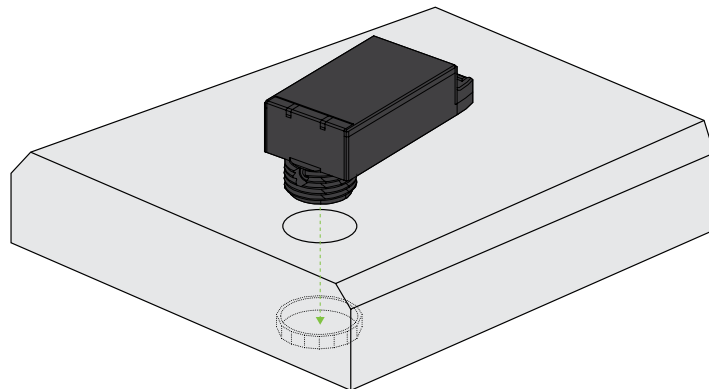
The LCM connects to LED drivers and electronic dimming, non-dimming, HID, etc., ballasts to make each individual device addressable and controllable.

**Notes:** The LCM is to be installed in dry and indoor locations. For damp installations, ensure to use the LCM (damp rated). Damp locations are defined as: interior locations subject to moderate degrees of moisture, such as some basements, some barns, some cold-storage warehouses, and the like, and partially protected locations under canopies, marquees, roofed open porches, and the like.

- 2 **Mounting Options**

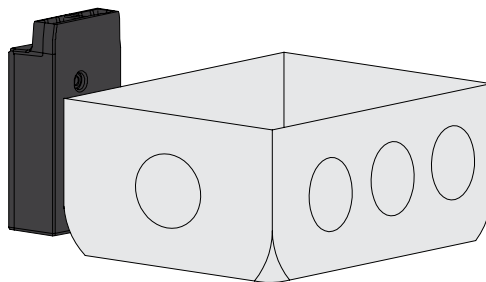
#### Option 1 – Luminaire Mount

The mechanical construction allows for simple installation of the module in an available 0.5 inch (Pg-7) trade size knock-out on top or side of a luminaire.



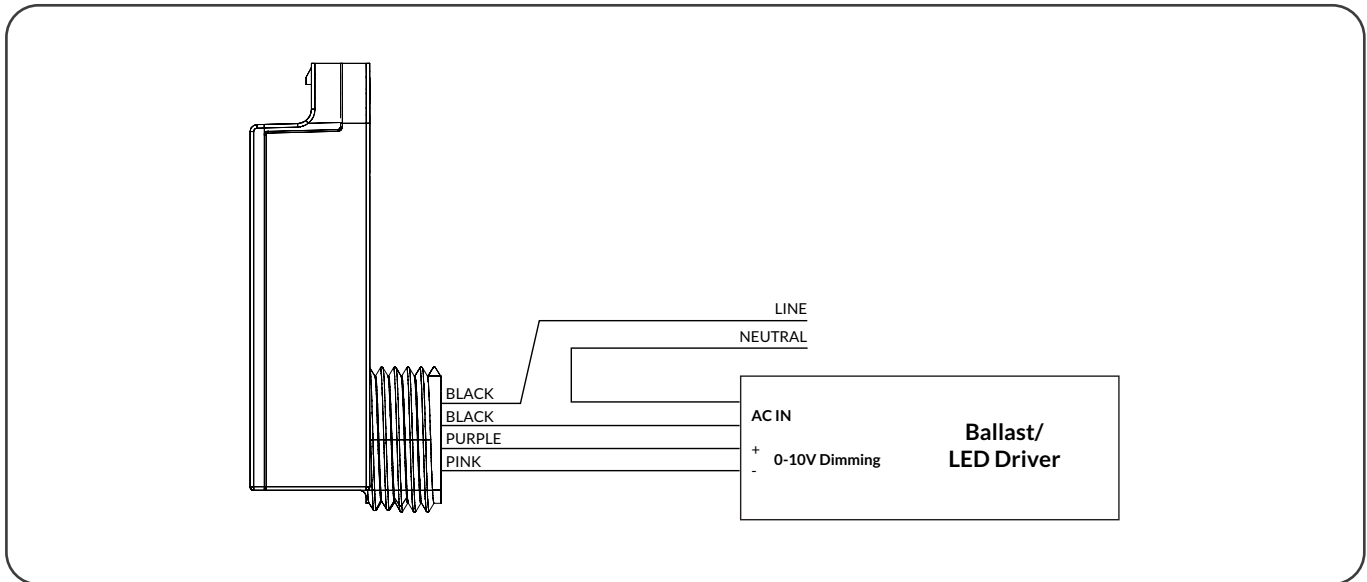
#### Option 2 – Junction Box Mount

For some installations, a junction box may be required. It is recommended to securely mount the LCM to the junction box using an available 0.5 inch (Pg-7) trade size knock-out and retainer nut.



### ELECTRICAL CONNECTIONS

#### 1 Dimmable Wiring

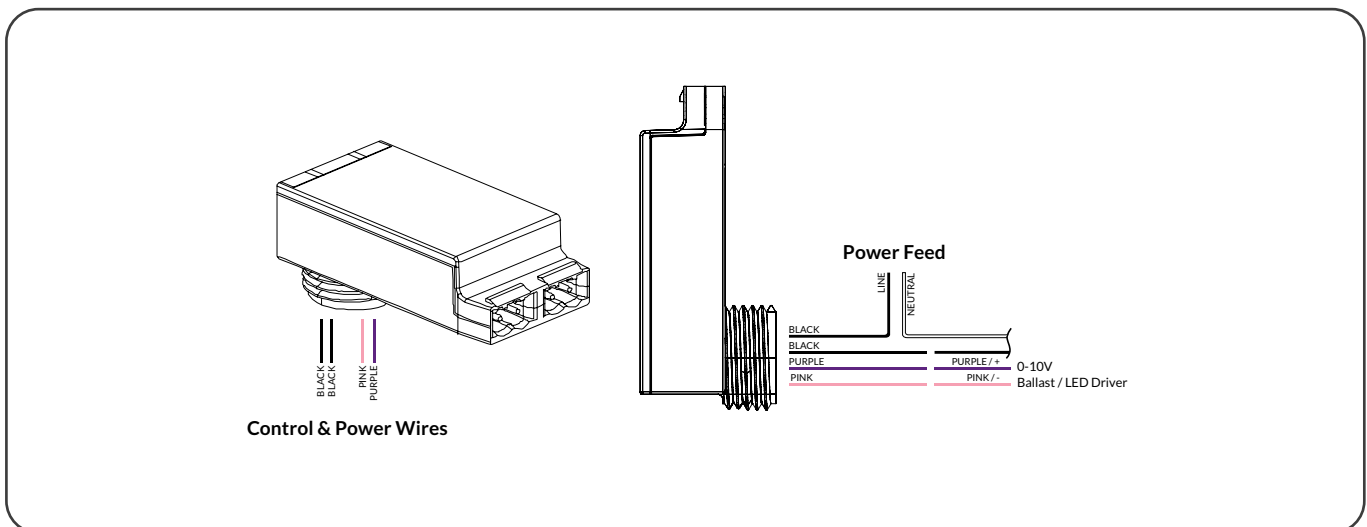


#### 2 LCM Wiring

GreenBus™ communication wiring is still accessible from the outside of the luminaire, while all necessary wiring to the electronic dimming ballast is available on the inside.

The module is made from tested material to be used in plenum or “plenum rated” areas. All wiring is rated 600V, 105°C for use in luminaires.

To control a two ballast luminaire, parallel all ballast input wires (line, neutral and control wires purple and pink). It is recommended to use one module per ballast. Do not connect more than two ballasts in parallel.



**⚠** Recommended relay switching capacity, 120-347V, 300VA maximum.

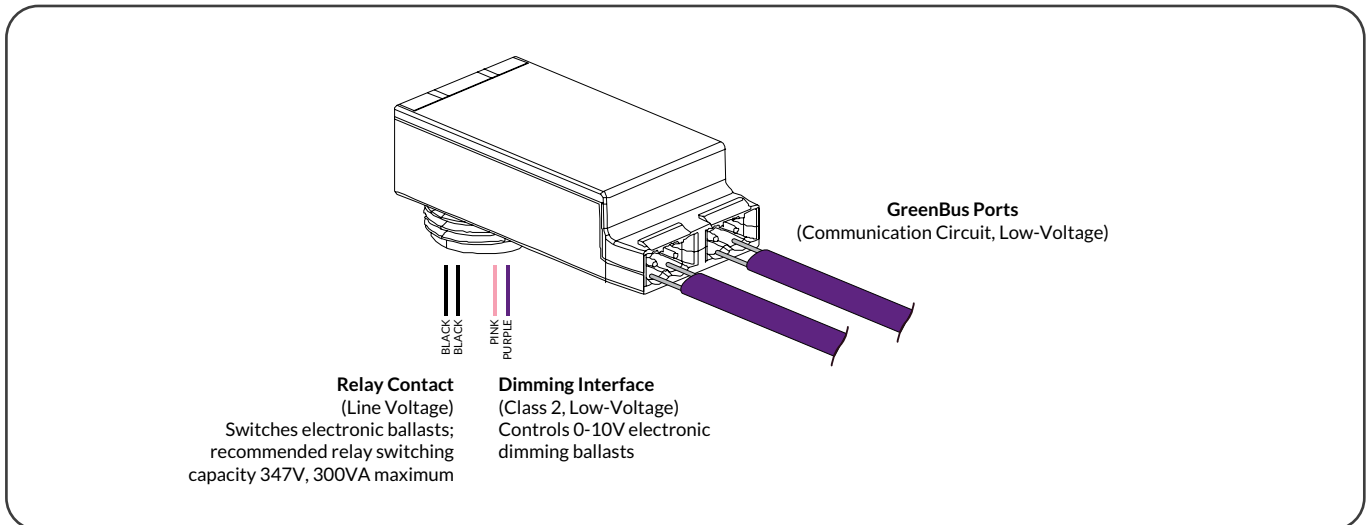
**⚠** Due to the internal relay, power feed to luminaire may be live even if lights are off. Turn off power at circuit breaker or fuse before installing or servicing module. Observe lockout procedures.

### 3 Class 2 Wiring

The GreenBus wiring originates at an Encelium X Manager and propagates in a daisy-chain from module to module (or other compatible equipment).

If changes are required, determine an optimum wiring path utilizing the supplied prefabricated cables, based on the position of luminaires and sensors. As the modules obtain power via the GreenBus, the number of modules on each chain is limited.

It is suggested to leave room for future system upgrades and to limit the number of modules per chain to 100 units during initial installation.



**⚠** GreenBus uses proprietary connectors and jacks for ease of installation only. GreenBus is a proprietary standard. Connect to Encelium X LMS only. Do not connect to other circuits.

**Note:** If the devices are connected with a method other than daisy-chain, this must be indicated to an Encelium Representative for approval before wiring.

## TROUBLESHOOTING

There are no user-serviceable parts inside of the LCM. Please return the device to Encelium if service is required.