

# WPLCM

## Wireless Plug Load Control Module

Date: \_\_\_\_\_

Quantity: \_\_\_\_\_

Company: \_\_\_\_\_

Project: \_\_\_\_\_



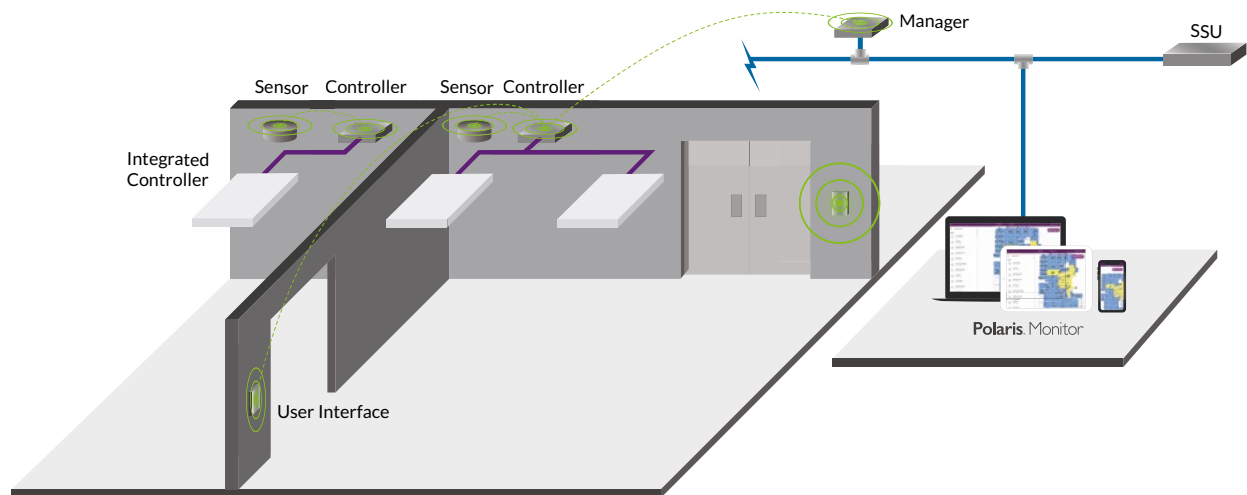
The Encelium Wireless Plug Load Control Module (WPLCM) is an individually addressable device that controls loads up to 20A by switching an integrated high current relay rated for 120 – 347 VAC. WPLCM is ASHRAE 90.1-2016 and Title 24-2016 code compliant and works with the Encelium X Networked, Encelium Edge, and Encelium Extend Standalone Wireless Light Management Systems over a mesh network based on Zigbee® standards.

### Key Features & Benefits

- Enables wireless control for loads up to 20A
- ASHRAE 90.1-2016 and Title 24-2016 code compliant
- Works with:
  - Encelium X
  - Encelium Edge
  - Encelium Extend

## Wireless System Overview

This illustration shows how each component is easily integrated into the Encelium X Networked Light Management System.



## Specifications

### SENSING AND CONTROL

#### Control Options

- On/Off switching

#### Polaris™ Software

- Adjust plug load usage via Occupancy Control/ Time Scheduling

### ELECTRICAL

#### Absolute Maximum Ratings

- 20A 120 – 347 VAC General Purpose
- 1.5 HP 120 – 277 VAC Motor

#### Radio Frequency

- 2.4 GHz

#### Frequency Range

- 100 ft (30 m) line of sight, 50 ft (15.2 m) through standard walls when mounted outside of the junction box

### ENVIRONMENTAL

#### Operating Temperature

- -40° – 149°F (-40° – 65°C) – 10A
- -40° – 131°F (-40° – 55°C) – 20A

### PHYSICAL

#### Dimensions (H x W x L)

- 1.6 x 2.7 x 3.5 inch (40 x 67.8 x 90 mm)

#### Mounting

- Junction box mounting (required) in 0.5 inch (Pg-7) trade size knockout – Ø 0.875 inch (22.2 mm)

### WARRANTY

- For warranty details, refer to the full warranty documentation at [www.encelium.com](http://www.encelium.com)

### CERTIFICATIONS & SAFETY

#### Approbations

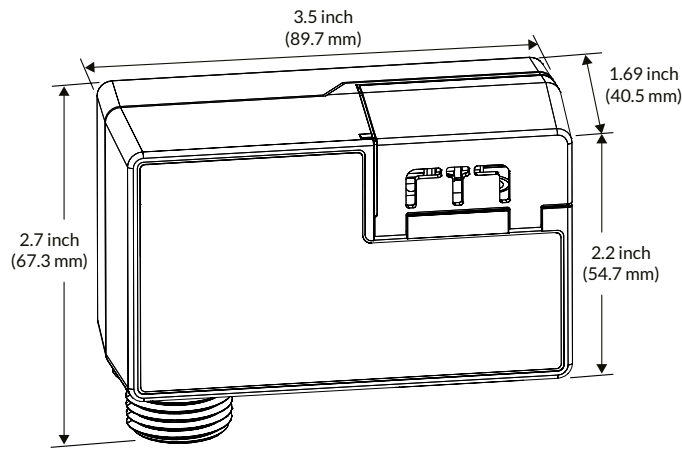
- UL916 (Energy Management Equipment)
- UL924 cUL US Listed (Emergency Lighting Equipment)
- UL2043 Plenum Rated
- FCC Part 15/ICES-003



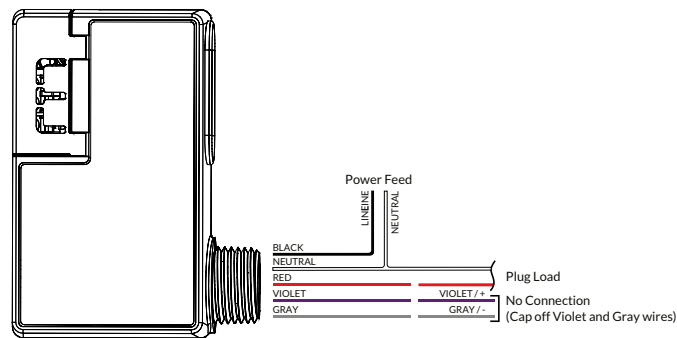
## Ordering Information

Item Number	Ordering Code	Description	Communication Network	Modifiers
56310	EN-ALC-PL-ZB	Wireless Plug Load Control Module	Zigbee	—

## Dimensions



## Wiring Diagrams



## Wiring Information

Wire Color	Function	Wire Gauge
Black	Line In – Relay Contact	7 inch (178 m)
Red	Line Out – Relay Contact	7 inch (178 m)
White	Neutral	7 inch (178 m)

## Mounting Options

---

WPLCM installations must utilize a junction box. It is recommended to securely mount the WPLCM to the junction box using an available 0.5 inch (Pg-7) trade size knockout and retainer nut.

### Junction Box Mounting

