

TW Wallstation

Tunable-White Wallstation

Date: _____

Quantity: _____

Company: _____

Project: _____



The Tunable-White Wallstation offers the ability to adjust intensity and color temperature from a single wallstation.

The scene buttons come engraved with Warm, Neutral, and Cool making them intuitive for use by occupants.

Key Features & Benefits

- High aesthetic finish with a sleek design
- Change the color temperature with a press of a single button on a wallstation
- User-programmable scenes with color temperature ranges of 2700 to 6500 K
- Dedicated raise/lower buttons enable finer adjustment for intensity and color temperature
- Can be assigned to a single or multiple zones in a space
- Available in both wired and wireless installations – both with simple installation
- Works with:
 - Encelium X
 - Encelium Extend

Specifications

SENSING AND CONTROL

Polaris Software

- Combined scene & zone in one Wallstation
- Application of custom commands to individual Wallstation buttons¹

ELECTRICAL

Operating Temperature

- 14° – 104°F (-10° – 40°C)

Relative Humidity

- 5% – 95% non-condensing, for indoor locations

ENVIRONMENTAL

Ambient Temperature

- Ta maximum 140°F (60°C)

PHYSICAL

Dimensions (H x W x D)

- J-Box Mounted:
4.5 x 2.8 x 0.9 inch (114.3 x 70.1 x 23.9 mm)
- Surface-Mount:
4.5 x 2.8 x 0.5 inch (114.3 x 70.1 x 12.7 mm)

Mounting Options

- Standard size wall box mount
- On mounting brackets for low voltage devices
- Support for “Decorator” style wall plate installation

NEMA

- Meets WD 6 and WD 1

WARRANTY

- For warranty details, refer to the full warranty documentation at www.encelium.com

CERTIFICATIONS & SAFETY

Approbations

- cUL Listed (UL 916)
- FCC Part 15/ICES-003
- RoHS Compliant

Environmental Suitability

- Rated for dry locations²

Complies with Electromagnetic Compatibility (EMC) Standards:

- EN 61000-4-2
- EN 61000-4-4
- EN 61000-4-5



Ordering Information

The 3 Scene Tunable White wallstation offers the ability to adjust intensity and color temperature from a single wallstation. The scene buttons with engravings like Warm, Neutral, Cool make it intuitive for occupants.

Wired Wallstation

Item Number	Ordering Code	Description	Communication Network	Modifiers
56338	EN-WS-TWSC3-GB2-WH	TW Wallstation, 3 Button	GreenBus	White – WH

Wireless Wallstation

Item Number	Ordering Code	Description	Communication Network	Modifiers
56337	EN-WS-TWSC3-ZB-WH	TW Wallstation, 3 Button	Zigbee	White – WH

Surface-Mount Kit

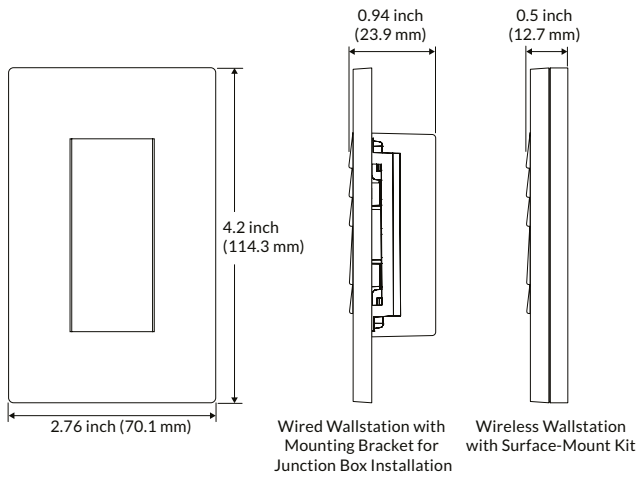
Item Number	Ordering Code	Description	Modifiers
45582	EN-SMK-ZB-WH	Surface-Mount Kit	White – WH

Footnotes:

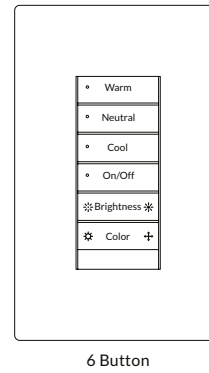
¹ To order custom buttons, contact your local Encelium sales representative.

² Powered by external DC power supply (Item #45428).

Dimensions

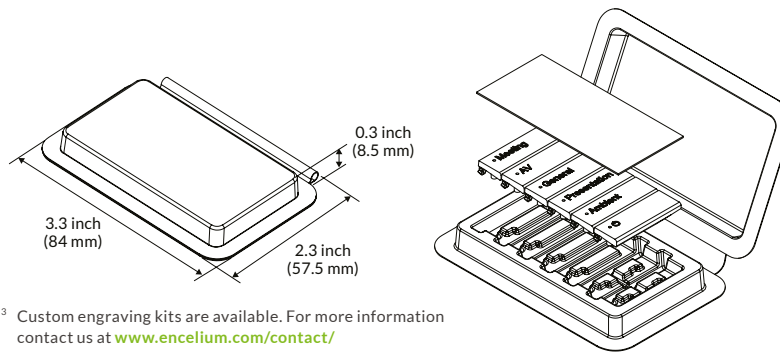


Configuration Option



Button Kit Ordering Information³

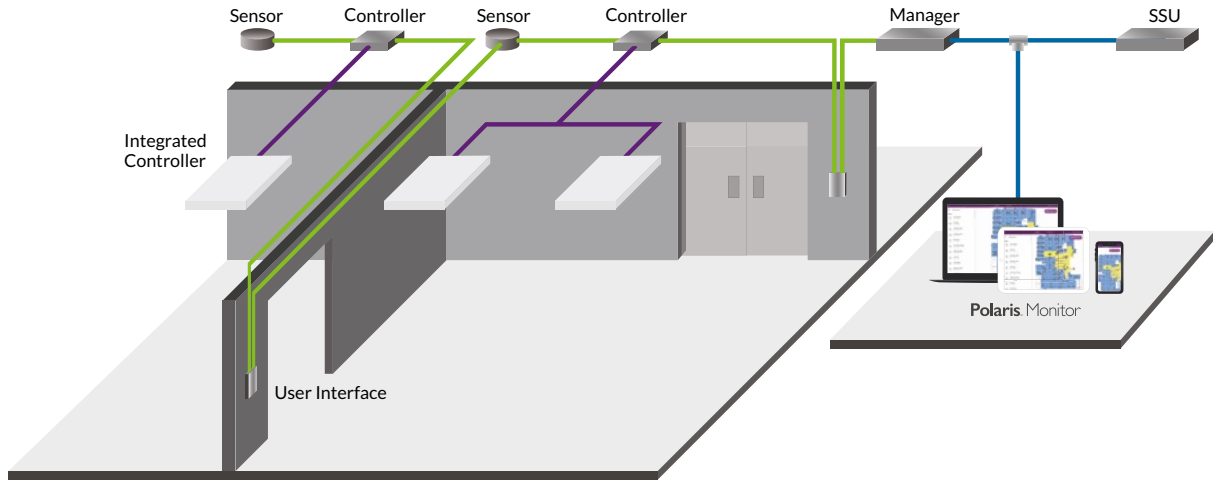
The button kit provides the ability for field replacement. Each part number comes with the three button kits shown to allow flexibility to replace buttons on an existing wallstation.



Item Number	Ordering Code	Description	Buttons	Modifiers
56339	EN-TW-BT01-ZC3-WH	TW Wallstation, 3 Scene Button Kit	3 - Tunable-White Buttons	White - WH

Wired System Overview

GreenBus technology makes wiring fast and error-free, since it's intuitive to install. With Encelium X, you can control DALI devices exclusively or a mixture of GreenBus and DALI. With any Encelium wired design, you get a reliable, on-site light management system that can be installed quickly and easily.



Wireless System Overview

This illustration shows how each component is easily integrated into the Encelium X Networked Light Management System.

