

KX7S Touchscreen

LCD Touch Screen Display Panel

Date: _____

Quantity: _____

Company: _____

Project: _____



The Encelium KX7S Touchscreen is a 7-inch (177.8-mm) flush-mount LCD touchscreen display that provides the ability to recall multiple lighting scenes for a given zone. This is ideal for large multi-purpose spaces where lighting requirements vary throughout the day, such as an auditorium or conference room.

With an intuitive panel design, users will be able to easily command various lighting scenarios to achieve the desired atmosphere. The LCD touchscreen provides multiple functions in each lighting zone such as setting brightness levels, recalling set scenes, on/off switching zones, and dim relative and global.

The KX7S Touchscreen is powered using a Power over Ethernet (PoE) Injector or PoE Network Switch.

Key Features & Benefits

- Control multiple lighting scenes for multi-purpose space
- Allows for tunable white lighting and shade control
- Capacitive touch screen for page navigation through screen swiping
- Screen appearance can be personalized for every space
- Perfect use for auditoriums, board rooms, large classrooms, and any multi-purpose space
- Works with:
 - Excelium X
 - Encelium Extend

KX7S Specifications

SENSING AND CONTROL

Display

- Full color 7" TFT LCD, Full VGA (800 x 480 pixels) with 65 K colors
- Flexible configurations for custom buttons, text and graphics
- Integrated high-resolution capacitive touch screen

PoE Interface

- Integrated 10/100 Base-T

ELECTRICAL

Power

- +9 – +16 VDC, 1 A maximum
- PoE

PHYSICAL

Display Size

- 3.5 inch (89 mm)

Dimensions (H x W)

- Installation Cut- Out:
7.7 X 5.6 inch (195 X 143 mm)
- Outer Bezel:
8.5 X 5.9 inch (217 X 151 mm)

Total Depth in Wall

- 1.4 inch (36 mm)

Weight

- 1.4 lbs (634 g)

WARRANTY

- For warranty details, refer to the full warranty documentation at www.encelium.com

Ordering Information

Item Number	Ordering Code	Description
45554	EN-RT1KX7	KX7S Touchscreen
45555	EN-RT1XP6	XP-6 Remote Control Processor

Note: A single processor is required onsite that utilizes a KX7S Touchscreen.

Footnotes:

¹ Wall-plug supply included.

XP-6 Specifications

SENSING AND CONTROL

Processor

- Powerful 32-bit, 533 MHz CPU
- 128 MB of non-volatile Flash Memory

Ethernet Port Interface

- Integrated 10/100Base-T

ELECTRICAL

Power

- 12 VDC, 1 A¹

PHYSICAL

Dimensions (H x W x D)

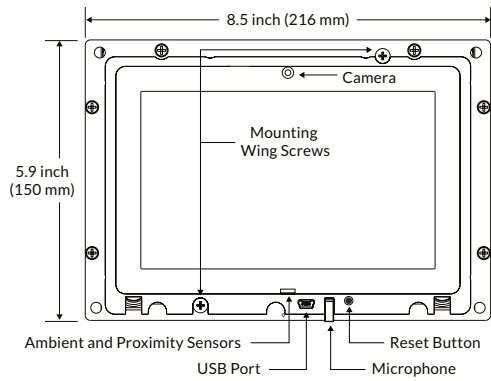
- Wall/Surface Mount:
5.25 x 10.3 x 1.5 inch (134 x 262 x 38 mm)
- Outer Bezel:
8.5 X 5.9 inch (217 X 151 mm)

Weight

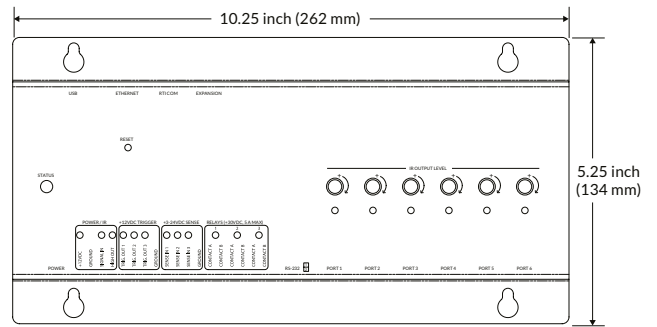
- 1.2 lbs (544 g)

Dimensions

KX7S Touchscreen

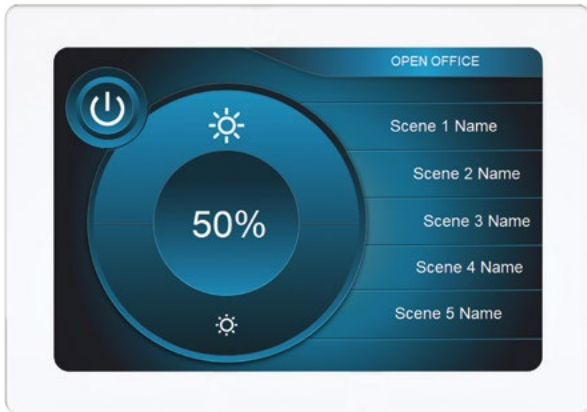


XP-6 Remote Control Processor



Screen Options

Brightness Only



Shades



Brightness and Tunable White



Brightness, Tunable White, and Shades



Installation Diagram

KX7S Touchscreen

The KX7S Touchscreen should be mounted on the wall using the two mounting wings that are located on the top and bottom of the KX7S Touchscreen, which can be used to secure the KX7S Touchscreen to drywall in retrofit installations. Place the KX7S Touchscreen in the opening in the wall and tighten the mounting wing screws located on the front of the KX7S Touchscreen (bezel removed). The recommended mounting height is between 54 inch (1.37 m) and 60 inch (1.52 m) from the ground. Use the included cardboard cut-out template to create the correct size opening in the wall.

XP-6 Remote Control Processor

The XP-6 Remote Control Processor can either be wall-mounted or left free-standing in the IT closet.

