

KSW

Industrial Key Switch

Date: _____

Quantity: _____

Company: _____

Project: _____



Key Features & Benefits

- Locate at an entry point of an area to activate/deactivate a lighting zone
- Single-gang form-factor in a rugged stainless steel housing
- Easily set up and modified through Polaris™ software
- Works with:
 - Encelium X
 - Encelium Extend

The Industrial Key Switch (KSW) is a single-zone wall-mounted user interface that provides local on/off control over a lighting zone. Utilizing a standard single-gang junction box form factor in a rugged stainless steel housing, the KSW connects to the Encelium X Light Management System through a Sensor Interface Module (SIM).

For damp-rated applications a damp-rated SIM is available. Examples of this type of environment may include basements, above-ground parking garages, barns, and cold-storage warehouses as well as partially protected locations under canopies, marquees, and roofed open porches.

Specifications

SENSING AND CONTROL

Communication Port

- SIMs have two ports that accept pre-terminated GreenBus communication cable

ELECTRICAL

Operating Temperature

- 14° – 104°F (-10° – 40°C)

Power

- Interconnected 18 AWG GreenBus cable

Voltage

- Class 2 Low-Voltage Device

ENVIRONMENTAL

Ambient Temperature

- 104°F (40°C) maximum

PHYSICAL

Dimensions (H x W x D)

- 4.1 x 1.3 x 0.9 inch (103.9 x 33 x 23 mm)

Mounting Option

- Standard junction box

WARRANTY

- For warranty details, refer to the full warranty documentation at www.encelium.com

CERTIFICATIONS & SAFETY

Approbations

- cUL Listed
- Energy Management Equipment (UL 916)
- FCC Part 15/ICES-003

Complies with Electromagnetic Compatibility (EMC) Standards:

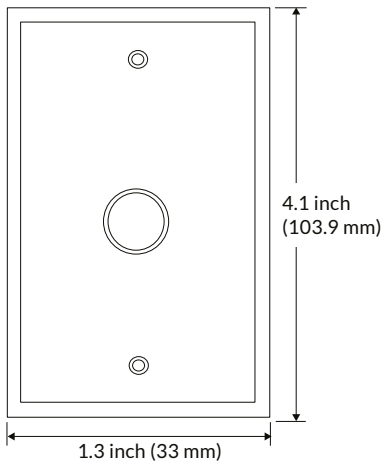
- EN 61000-4-2
- EN 61000-4-4
- EN 61000-4-5



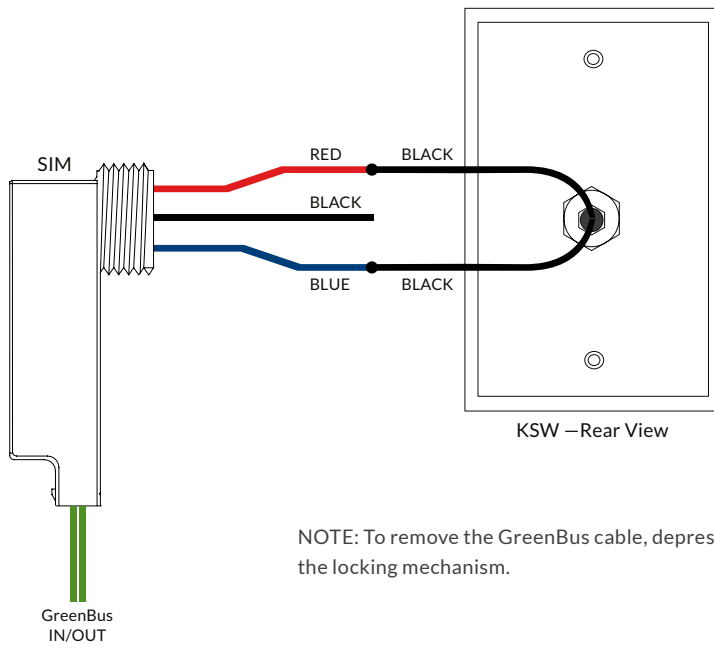
Ordering Information

| Item Number | Ordering Code | Description | Communication Network | Modifiers |
|-------------|---------------|-------------|-----------------------|-----------|
| 45326 | KSW-300 | Key Switch | GreenBus | — |

Dimensions

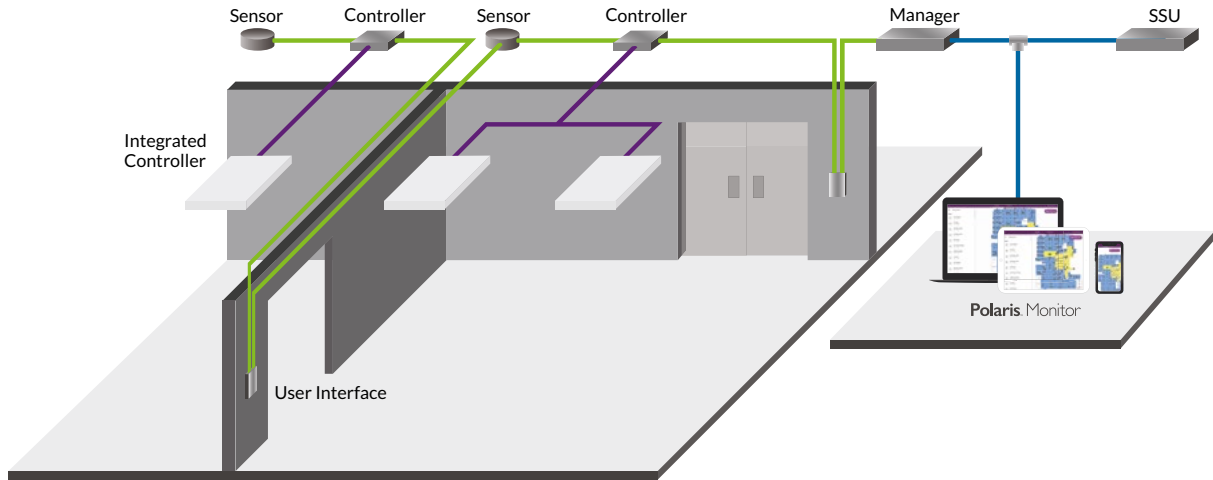


Wiring Diagram



Wired System Overview

GreenBus technology makes wiring fast and error-free, since it's intuitive to install. With Encelium X, you can control DALI devices exclusively or a mixture of GreenBus and DALI. With any Encelium wired design, you get a reliable, on-site light management system that can be installed quickly and easily.



Wireless System Overview

This illustration shows how each component is easily integrated into the Encelium X Networked Light Management System.

