

INDPB

Industrial Push Button



The Industrial Push Button (INDPB) is a single-zone, wall-mounted user interface that provides local on/off control over a lighting zone. Utilizing a standard single-gang junction box form factor in a rugged stainless steel housing, it connects to the Encelium X Light Management System through a GreenBus cable with standard 2-pin connectors.

Wireless installation is possible with the use of tethering to either a WCM or WALC (available with Encelium X).

Date: _____

Quantity: _____

Company: _____

Project: _____

Key Features & Benefits

- Locate at entry points to a zone or department to activate or de-activate a lighting zone
- Single-gang form-factor in a rugged stainless steel housing. Provides zone status on the faceplate with a white LED display indicating ON and blue indicating OFF
- Wireless installation with tethering to either a WCM or WALC available with Encelium X
- Easy set-up and modified through Polaris™ software
- Works with:
 - Encelium X
 - Encelium Extend

Specifications

SENSING AND CONTROL

Communication Port

- Two ports that accept 18 AWG Class 2 Communication Bus for connection to the Encelium X Networked Light Management System

ELECTRICAL

Operating Temperature

- 14° - 104°F (-10° - 40°C)

Power

- Interconnected 18 AWG GreenBus cable

Voltage

- Class 2 Low-Voltage Device

ENVIRONMENTAL

Ambient Temperature

- 104°F (40°C) maximum

PHYSICAL

Dimensions (H x W x D)

- 4.1 x 1.3 x 0.9 inch (103.9 x 33 x 23 mm)

Mounting Option

- Mounts into standard size wall box of at least 2.4 inch (6.1 mm)

WARRANTY

- For warranty details, refer to the full warranty documentation at www.encelium.com

CERTIFICATIONS & SAFETY

Approbations

- cUL Listed
- Energy Management Equipment (UL 916)
- FCC Part 15/ICES-003

Complies with Electromagnetic Compatibility (EMC) Standards:

- EN 61000-4-2
- EN 61000-4-4
- EN 61000-4-5



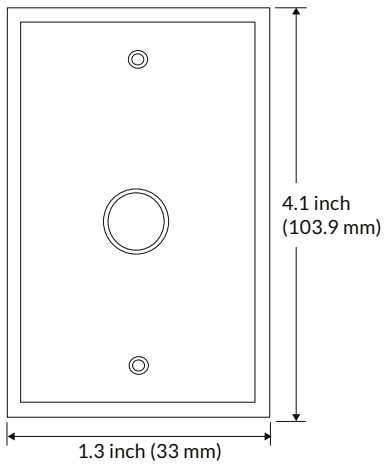
Application Notes

- Where lighting zones are controlled by a time schedule (rather than by occupancy sensors), the INDPB also allows for manual override of the time schedule by simply “re-activating” the zone about to be shut down. During shut down mode, the INDPB faceplate will alternately flash blue and white LEDs to indicate to occupants that an override is necessary.
- Damp-Rated INDPB is available for installations in interior locations subject to moderate degrees of moisture such as basements, above-ground parking garages, barns, and cold-storage warehouses as well as partially protected locations under canopies, marquees, and open-roofed porches.

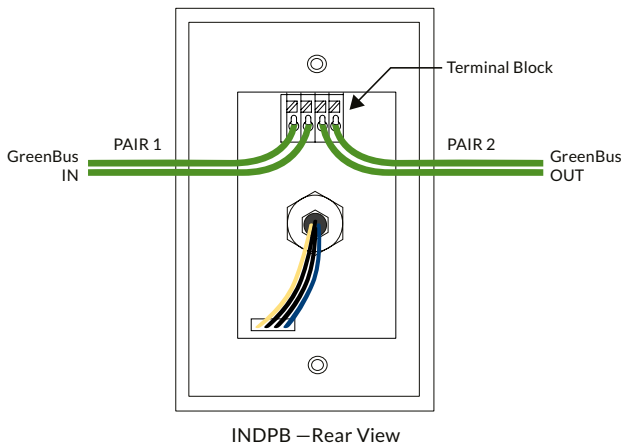
Ordering Information

Item Number	Ordering Code	Description	Communication Network	Modifiers
45250	EN-WS-INDPB-GB2	Industrial Push Button	GreenBus	—
45287	EN-WS-INDPB-GB2-DR	Industrial Push Button	GreenBus	Damp-Rated (DR)

Dimensions



Wiring Diagram



GreenBus wires (PAIR 1 & 2) should not be crossed.
GreenBus wires are polarity independent.
Jacket colors are based on supplied wire.
Other wire jacket colors may vary.

Wired System Design

Pre-terminated Cable to INDPB:

- 1 Remove connectors if using Eneclium Extend pre-terminated cables.
- 2 Strip GreenBus cable with insulation exposing copper strip 5/16 inch (8 mm).
- 3 Depress the locking mechanism
- 4 Hold beginning of insulation and insert copper portion of cable into terminal block.

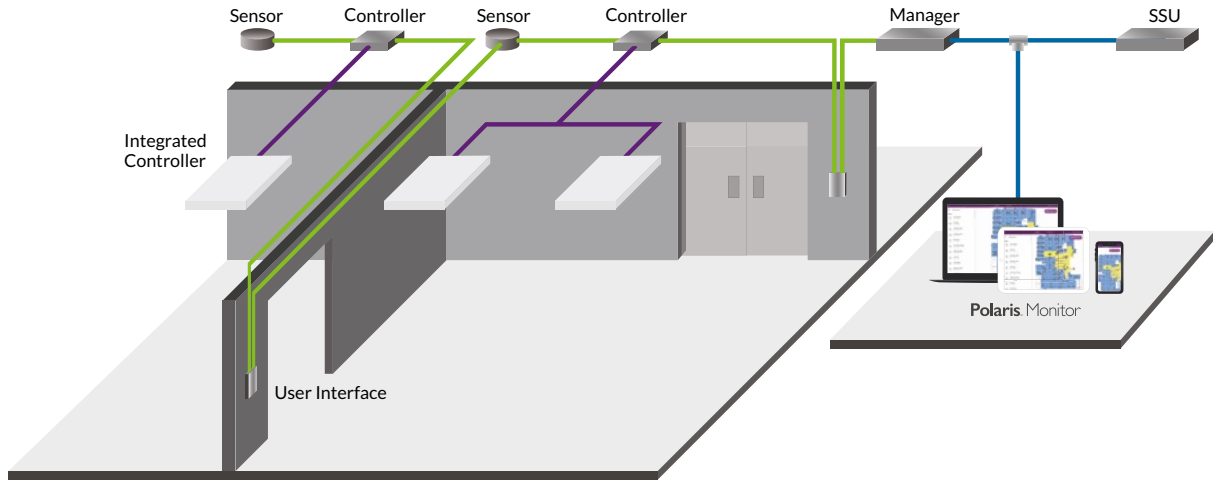
NOTE: To remove the GreenBus cable, depress the locking mechanism.

Wireless System Design:

The INDPB can be tethered using the GreenBus cable from a compatible WCM or WALC device.

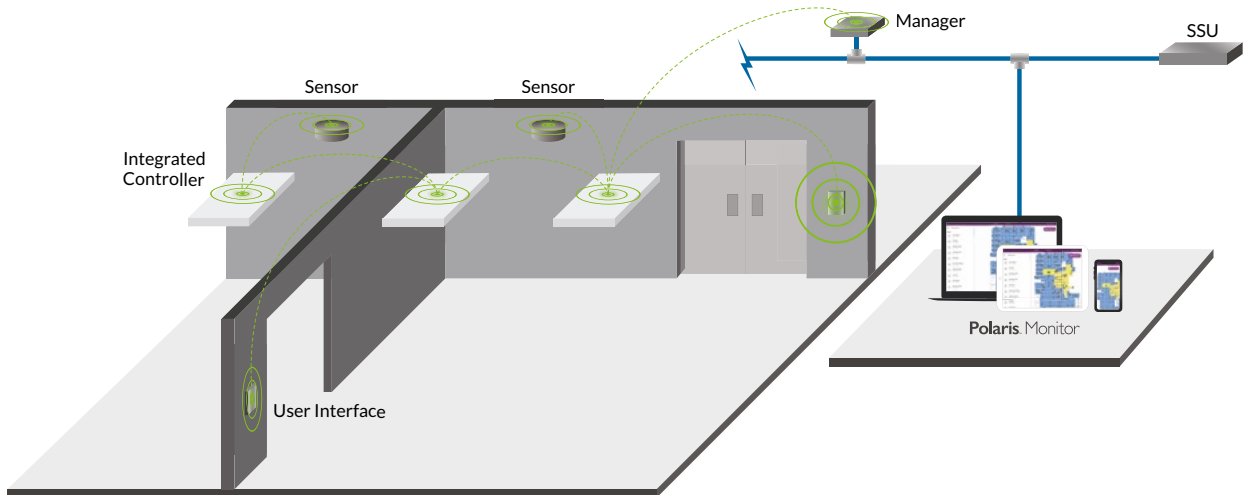
Wired System Overview

GreenBus technology makes wiring fast and error-free, since it's intuitive to install. With Encelium X, you can control DALI devices exclusively or a mixture of GreenBus and DALI. With any Encelium wired design, you get a reliable, on-site light management system that can be installed quickly and easily.



Wireless System Overview

This illustration shows how each component is easily integrated into the Encelium X Networked Light Management System.



Copyright © 2021 Digital Lumens, Incorporated. All rights reserved. Digital Lumens, the Digital Lumens logo, We Generate Facility Wellness, SiteWorx, LightRules, Lightelligence, Encelium, the Encelium logo, Polaris, GreenBus and any other trademark, service mark, or tradename (collectively "the Marks") are either trademarks or registered trademarks of Digital Lumens, Inc. in the United States and/or other countries, or remain the property of their respective owners that have granted Digital Lumens, Inc. the right and license to use such Marks and/or are used herein as nominative fair use. Due to continuous improvements and innovations, specifications may change without notice.

LMS060 Rev 4 06-21