

# KSW

## Industrial Key Switch Wallstation

Date: \_\_\_\_\_

Quantity: \_\_\_\_\_

Company: \_\_\_\_\_

Project: \_\_\_\_\_



The **KSW (Industrial Key Switch Wallstation)** is a single-zone wall-mounted user interface that provides local on/off control over a lighting zone. Utilizing a standard single-gang junction box form factor in a rugged stainless steel housing, the KSW connects to the Encelium X Lighting Control System through a Sensor Interface Module (SIM).

For damp-rated applications a damp-rated SIM is available. Examples of this type of environment may include basements, above-ground parking garages, barns, and cold-storage warehouses as well as partially protected locations under canopies, marquees, and roofed open porches.

### Works with

- Encelium X
  - ▶ GreenBus Wired
  - ▶ Wireless



### Key Features & Benefits

- Locate at an entry point of an area to activate/deactivate a lighting zone
- Single-gang form-factor in a rugged stainless steel housing
- Easily set up and modified through Polaris™ software

## Specifications

### SENSING AND CONTROL

#### Control

- GreenBus communication
- Wireless communication (via tethering)

#### Control Option

- SIMs — Two communication ports accept pre-terminated GreenBus cable

### ELECTRICAL

#### Operating Temperature

- -10°C to 40°C (14° to 104°F)

#### Power

- Interconnected 18 AWG GreenBus cable

#### Voltage

- Class 2 Low-Voltage Device

### ENVIRONMENTAL

#### Ambient Temperature

- 40°C (104°F) maximum

### PHYSICAL

#### Dimensions (H x W x D)

- 103.9 x 33 x 6.35 mm (4.1 x 1.3 x 0.25 inches)

#### Weight

- 90 g (3.2 oz)

#### Housing Color

- Silver

#### Housing Material

- Rugged Stainless Steel

#### Mounting Option

- Wall Box Mount (6.1 mm (2.4 inches) at least)

### WARRANTY

- For warranty details, refer to the full warranty documentation at [encelium.com](http://encelium.com)

### CERTIFICATIONS & SAFETY

#### Approbations

- cUL Listed
- Energy Management Equipment (UL 916)
- FCC Part 15/ICES-003

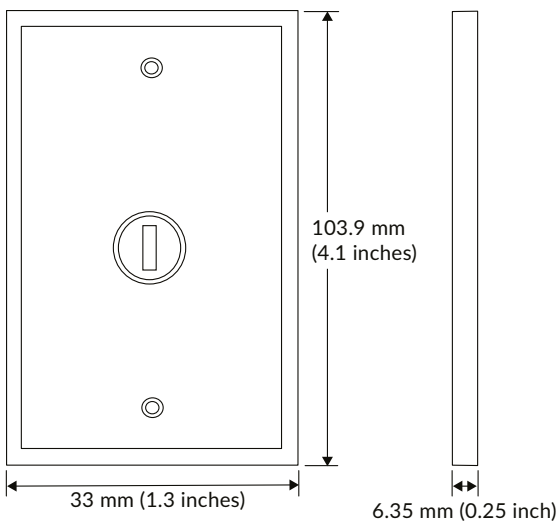
#### Complies with Electromagnetic Compatibility (EMC) Standards:

- EN 61000-4-2
- EN 61000-4-4
- EN 61000-4-5



GreenBus.

## Dimensions

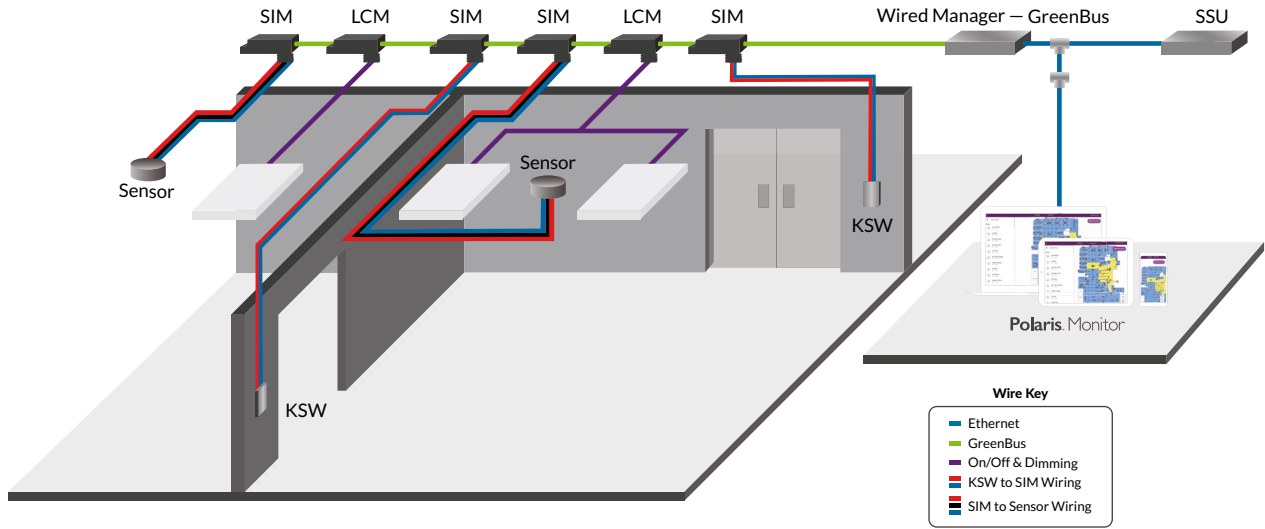


## Ordering Information

Catalog Number	Description	Approbation	Communication Network	Modifiers
KSW-300	Key Switch	UL	GreenBus	—
EN-SIM-AI/SPS-GB2-BK	Sensor Interface Module (SIM)	UL	GreenBus	
EN-SIM-AISPS-GB2BKDR	Damp Rated Sensor Interface Module (SIM)	UL	GreenBus	Damp-Rated (DR)

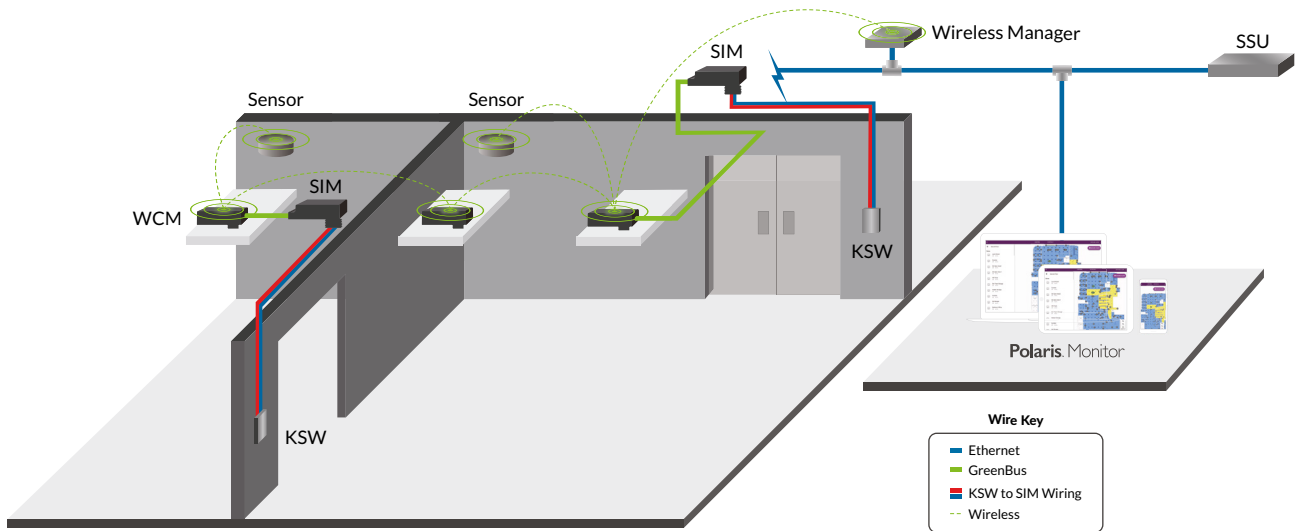
## Wired System Overview

GreenBus technology makes wiring fast and error-free, since it's intuitive to install. With Encelium X, you can control DALI devices exclusively or a mixture of GreenBus and DALI. With any Encelium wired design, you get a reliable, on-site lighting control system that can be installed quickly and easily.

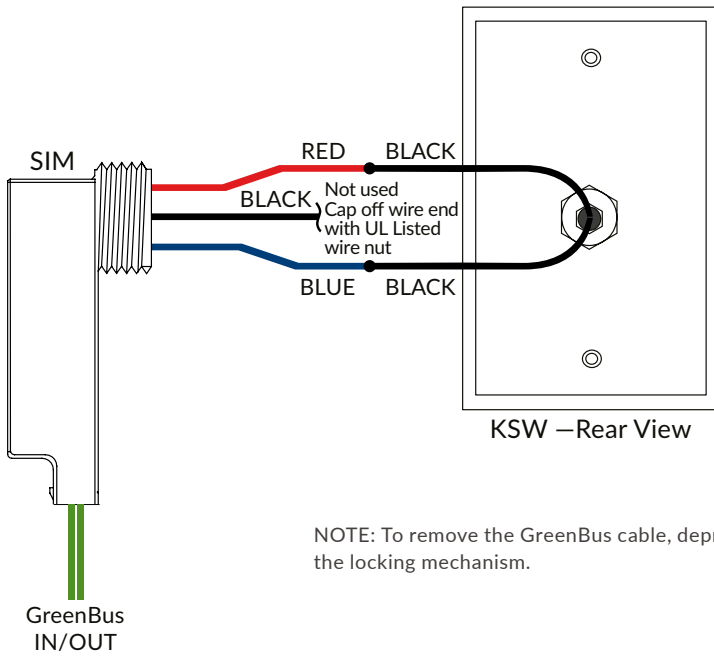


## Wireless System Overview

This illustration shows how each component is easily integrated into the Encelium X Lighting Control System.



## Wiring Diagram



## Mounting Option

### Wall Box Mount

