

INDPB

Industrial Push Button Wallstation

Date: _____

Quantity: _____

Company: _____

Project: _____



The **INDPB (Industrial Push Button Wallstation)** is a single-zone, wall-mounted user interface that provides local on/off control over a lighting zone. Utilizing a standard single-gang junction box form factor in a rugged stainless steel housing, it connects to the Encelium X Lighting Control System through a GreenBus cable with standard 2-pin connectors.

Wireless installation is possible with the use of tethering to either a WCM or WALC (available with Encelium X).

Works with

- Encelium X
 - ▶ GreenBus Wired
 - ▶ Wireless



Key Features & Benefits

- Locate at entry points to a zone or department to activate or de-activate a lighting zone
- Single-gang form-factor in a rugged stainless steel housing. Provides zone status on the faceplate with a white LED display indicating ON and blue indicating OFF
- Wireless installation with tethering to either a WCM or WALC available with Encelium X
- Easy set-up and modified through Polaris™ software

Specifications

SENSING AND CONTROL

Control

- Wireless Communication (via tethering)
- GreenBus Communication

Control Option

- Two communication ports that accept pre-terminated GreenBus cable

ELECTRICAL

Operating Temperature

- -10° – 40°C (14° – 104°F)

Power

- Interconnected 18 AWG Class 2 GreenBus cable

Voltage

- Class 2 Low-Voltage Device

ENVIRONMENTAL

Ambient Temperature

- 40°C (104°F) maximum

PHYSICAL

Dimensions (H x W x D)

- 103.9 x 33 x 6.35 mm (4.1 x 1.3 x 0.25 inches)

Weight

- 90 g (3.2 oz)

Housing Color

- Silver

Housing Material

- Rugged Stainless Steel

Mounting Option

- Wall Box Mount (6.1 mm (2.4 inches) at least)

WARRANTY

- For warranty details, refer to the full warranty documentation at encelium.com

CERTIFICATIONS & SAFETY

Approbations

- cUL Listed
- Energy Management Equipment (UL 916)
- FCC Part 15/ICES-003

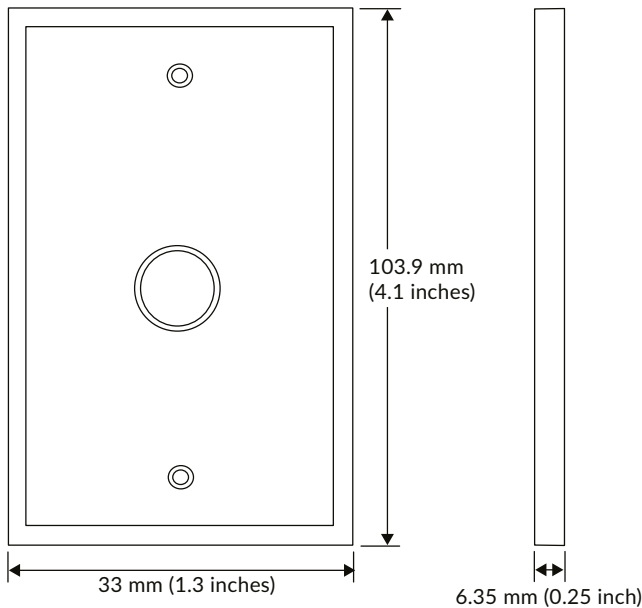
Complies with Electromagnetic Compatibility (EMC) Standards:

- EN 61000-4-2
- EN 61000-4-4
- EN 61000-4-5



GreenBus.

Dimensions



Ordering Information

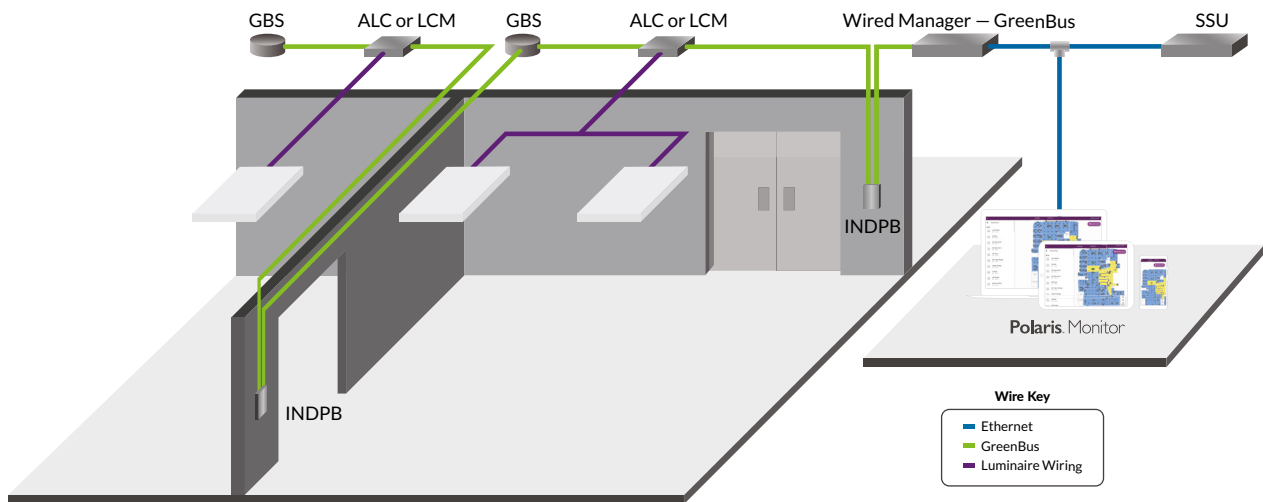
Catalog Number	Description	Approbation	Communication Network	Modifiers
EN-WS-INDPB-GB2	Industrial Push Button	UL	GreenBus	–
EN-WS-INDPB-GB2-DR	Industrial Push Button	UL	GreenBus	Damp-Rated (DR)

Application Notes

- Where lighting zones are controlled by a time schedule (rather than by occupancy sensors), the INDPB also allows for manual override of the time schedule by simply “re-activating” the zone about to be shut down. During shut down mode, the INDPB faceplate will alternately flash blue and white LEDs to indicate to occupants that an override is necessary.
- Damp-Rated INDPB is available for installations in interior locations subject to moderate degrees of moisture such as basements, above-ground parking garages, barns, and cold-storage warehouses as well as partially protected locations under canopies, marquees, and open-roofed porches.

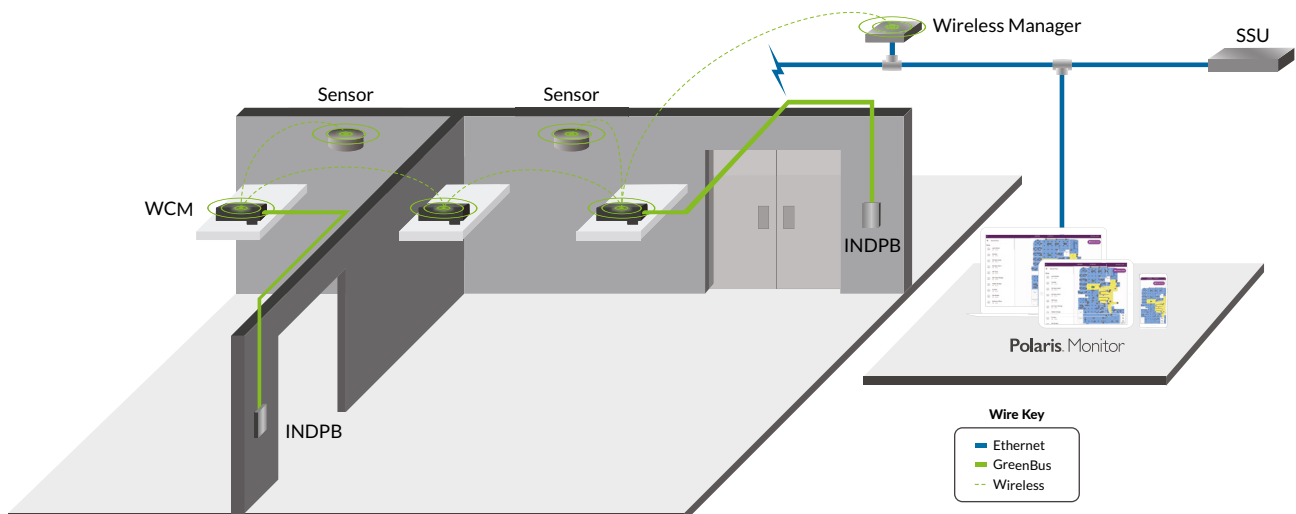
Wired System Overview

GreenBus technology makes wiring fast and error-free, since it’s intuitive to install. With Encelium X, you can control DALI devices exclusively or a mixture of GreenBus and DALI. With any Encelium wired design, you get a reliable, on-site lighting control system that can be installed quickly and easily.

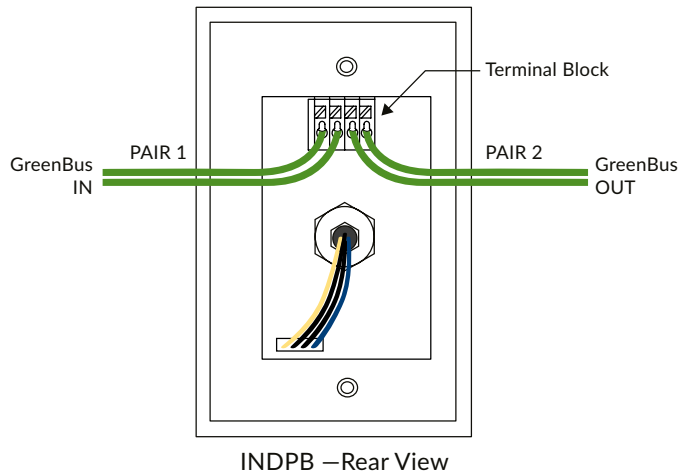


Wireless System Overview

This illustration shows how each component is easily integrated into the Encelium X Lighting Control System.



Wiring Diagram



GreenBus wires (PAIR 1 & 2) should not be crossed.
GreenBus wires are polarity independent.
Jacket colors are based on supplied wire.
Other wire jacket colors may vary.

Wired System Design

Pre-terminated Cable to INDPB:

- 1 Remove connectors if using Eneclium Extend pre-terminated cables.
- 2 Strip GreenBus cable with insulation exposing copper strip 8 mm (5/16 inch).
- 3 Depress the locking mechanism
- 4 Hold beginning of insulation and insert copper portion of cable into terminal block.

NOTE: To remove the GreenBus cable, depress the locking mechanism.

Wireless System Design:

The INDPB can be tethered using the GreenBus cable from a compatible WCM or WALC device.

Mounting Option

Wall Box Mount

