

DALI Panel

DALI Panel Lighting Controls

Date: _____

Quantity: _____

Company: _____

Project: _____



The **DALI Panel** simplifies deploying DALI-based lighting controls using Encelium X Lighting Control System.

DALI Panel consists of 1 Encelium X Wired Manager and 8 DALI bridges that enable control of up to 512 DALI based LED drivers and up to 288 GreenBus devices.

DALI Panel also contains a Sensor Interface Module (SIM) that can be used for fire alarm system integration.

Works with

- Encelium X
 - ▶ DALI Wired
 - ▶ GreenBus Wired

Key Features & Benefits

- The DALI Panel includes:
 - ▶ 1 Wired Manager with power supply
 - ▶ 8 DALI Bridges
 - ▶ 2 DALI Bridge power supplies
 - ▶ 1 Sensor Interface Module for fire alarm system integration
 - ▶ 1 Terminal Block for hardwire connections
- Enables the Encelium system to communicate with DALI devices
- Each DALI Bridge channel can control 64 DALI Drivers and 36 GreenBus devices

Specifications

SENSING AND CONTROL

Control

- DALI Communication
- GreenBus Communication

Control Options

- Compatible with DALI-compliant LED Drivers
- 64 DALI LED Drivers per DALI Bridge

ELECTRICAL

External Power Supply

- 100 to 240 VAC, 50/60 Hz, 1.8A (hardwire connection)

DALI Output

- 24V, 250 mA maximum

Connections

- Purple: GreenBus In/Out
- Purple: GreenBus In/Out
- 24 VDC Input
- DALI Control

ENVIRONMENTAL

Operating Temperature

- 0° to 50°C (32° to 122°F)

PHYSICAL

Dimensions (H x W x D)

- 610 x 457 x 152 mm (24 x 18 x 6 inches)

Weight

- 23.6 kg (832.5 oz)

Housing Color

- Gray

Housing Material

- Metal

Mounting Option

- Wall Mount

Wire Gauges

- 18 AWG (GreenBus)
- 24 VDC (As per Power Supply Specification)
- DALI (As per DALI Specification)

WARRANTY

- Standard warranty is in effect for a period of five (5) years from the date of shipment.¹

CERTIFICATIONS & SAFETY

Approbations

- QPS special inspection to applicable CA and UL standards

Environmental Suitability

- Dry, Indoor Locations Only²

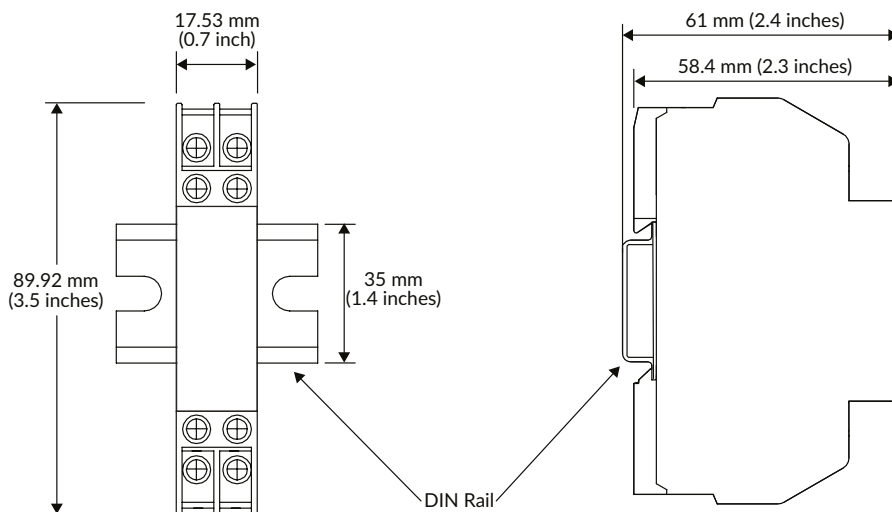
Complies with Electromagnetic Compatibility (EMC) Standards:

- EN 61000-4-2
- EN 61000-4-4
- EN 61000-4-5

GreenBus

Dimensions

DALI Bridge



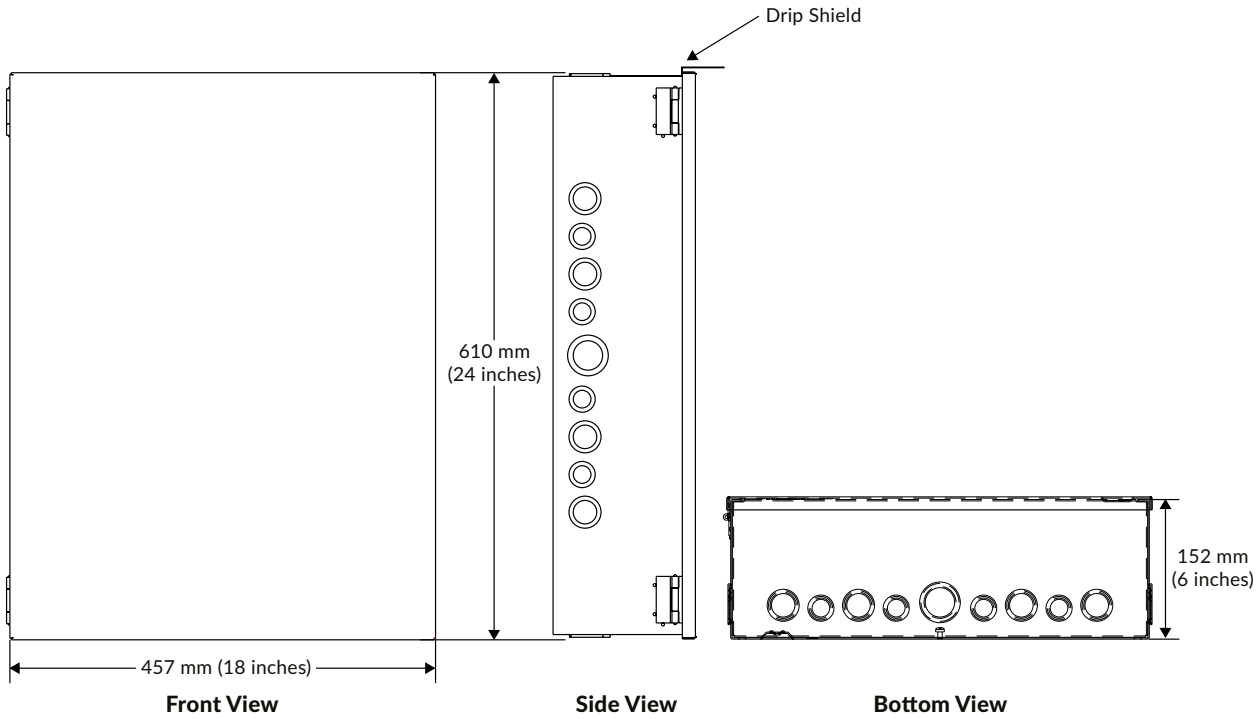
Footnotes:

¹ This does not apply to: (1) damage caused by accident, mishandling, or dropping; (2) materials which have been subject to unauthorized repair; (3) materials not used in accordance with instructions; (4) ordinary wear and tear.

² Install in accordance with all applicable national and local electrical and building codes.

Dimensions

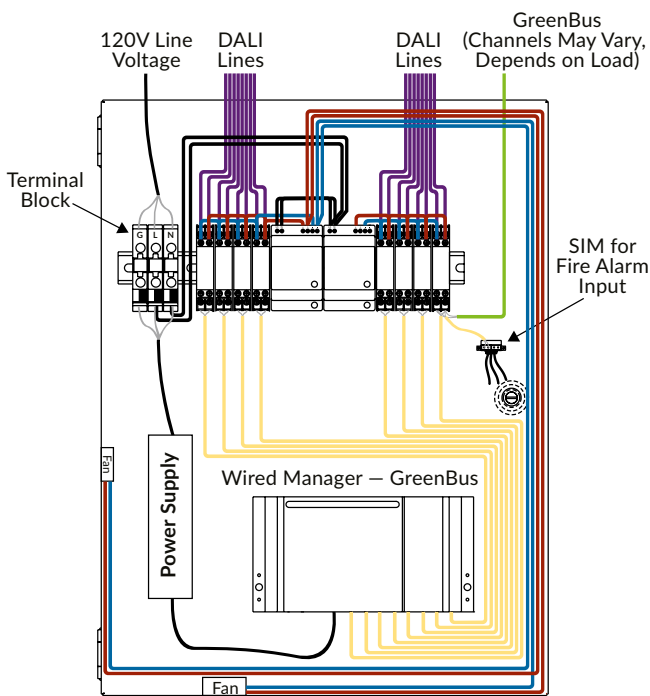
DALI Panel



Ordering Information

Catalog Number	Description	Approbation	Communication Network
ECU-DALI-ENC	DALI Panel	UL	GreenBus and DALI

Wiring Diagram



Mounting Option

Wall Mount

