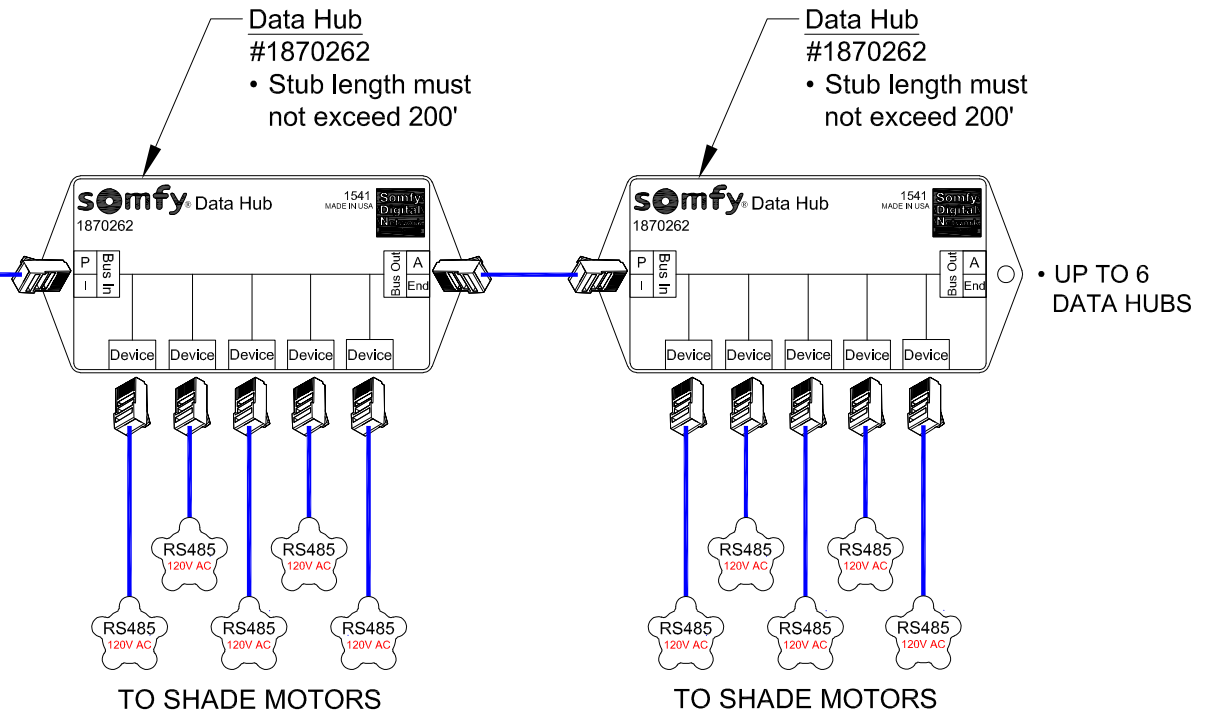



NOT USED WIRES
CAP OFF WIRE
END WITH UL
LISTED WIRE
NUT.

NOTES:
EACH 0-10V INTERFACE CAN CONNECT UP TO 6 DATA HUBS
THEREFORE CAN CONTROL UPTO 30 MOTORS AS A GROUP.



REV	DESCRIPTION/CHANGE	DATE
 www.enceLIUM.com		
TITLE <i>SOMFY - 0-10V WITH WCM</i>		
SCALE :-	PROJ NO.	
DRAWN <i>S.PANERI</i>	DWG. NO. <i>EN-ZB-013-R1</i>	SIZE A
DATE <i>02-MAY-2022</i>	FILE NAME <i>EN-ZB-013-R1-WCM-SOMFY-010V</i>	