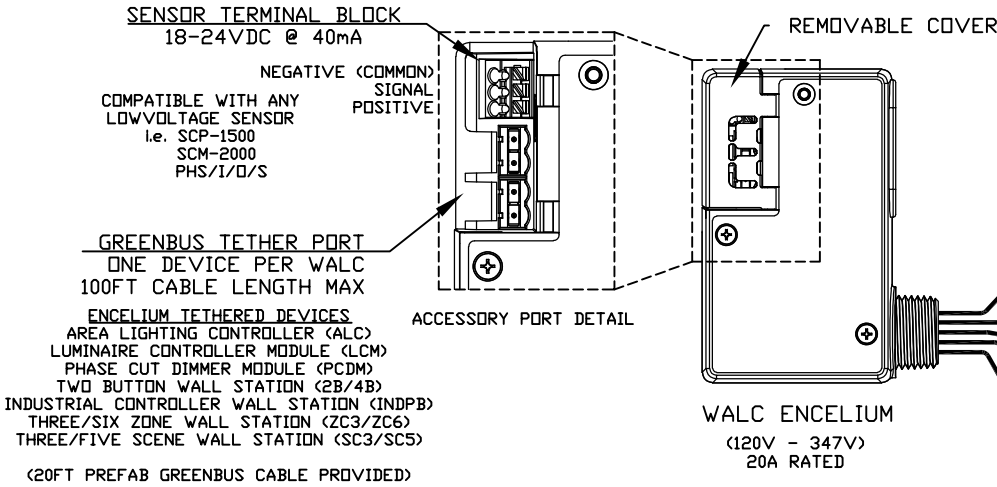


WALC GROUP SWITCHING / DIMMING



ENCELIUM WIRELESS AREA LIGHTING CONTROLLER (WALC) (347/277/120 VAC)

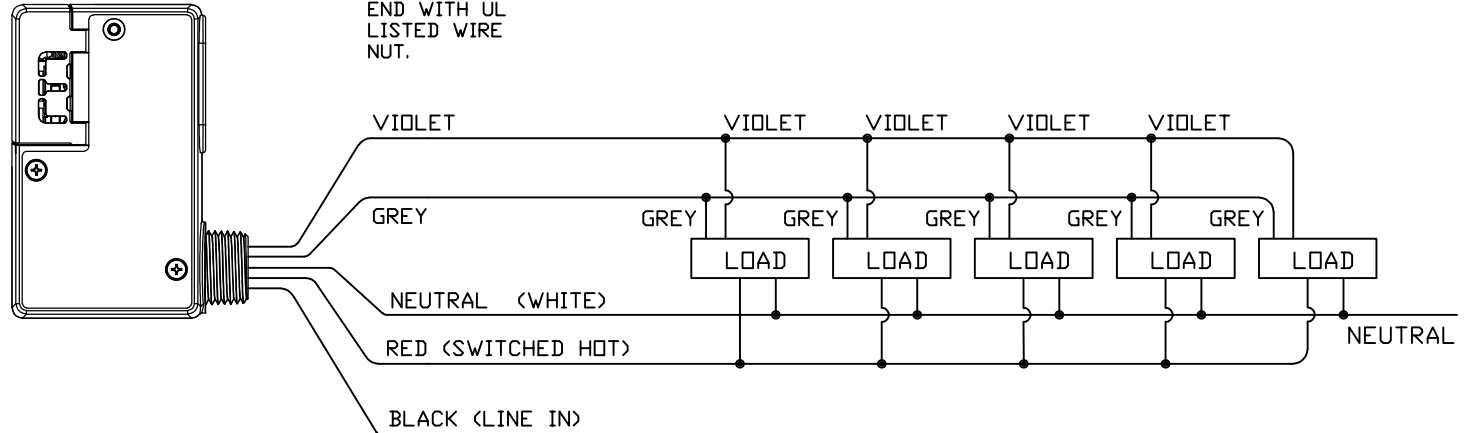
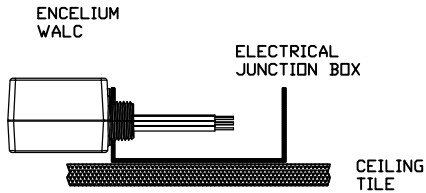
ENCELIUM AREA LIGHTING CONTROLLER		NON DIMMABLE FIXTURE	DIMMABLE FIXTURE 0-10V
BLACK	NON DIMMABLE	BLACK (HOT)	BLACK (HOT)
RED		BLACK (TO FIXTURE)	BLACK (TO FIXTURE)
WHITE		NEUTRAL (TO FIXTURE)	NEUTRAL (TO FIXTURE)
VIOLET	DIMMABLE	N/A	VIOLET
GREY		N/A	GREY

NOT USED WIRES
CAP OFF WIRE
END WITH UL LISTED WIRE NUT.

WIRELESS AREA LIGHTING CONTROLLER


EN-ALC-ZB-BK
*EN-ALC-ZB-BK-DR
*DAMP RATED

EXAMPLE MOUNTING DETAIL



NOTES:

- REFER TO MANUFACTURER'S SPECIFICATIONS FOR LOAD LIMITS AND DETAILED INSTALLATION INSTRUCTIONS.
- WIRE UNIT IN ACCORDANCE WITH ALL APPLICABLE ELECTRICAL AND BUILDING CODES.
- REFER TO ENCELIUM WIRELESS AREA LIGHTING CONTROLLER INSTALLATION AND SERVICE MANUAL BEFORE INSTALLING OR SERVICING MODULE.
- FOR COMPATIBILITY WITH OTHER CONFIGURATIONS OR BALLASTS ON ENCELIUM PRODUCTS CONTACT YOUR REPRESENTATIVE.
- FOR SOME INSTALLATIONS, A JUNCTION BOX MAY BE REQUIRED. IT IS RECOMMENDED TO SECURELY MOUNT THE WIRELESS AREA LIGHTING CONTROLLER TO THE JUNCTION BOX USING AN AVAILABLE 1/2 INCH KNOCK-OUT
- THE WIRELESS AREA LIGHTING CONTROLLER DIMMING OUTPUT IS FULLY ISOLATED AND SUITABLE FOR INSTALLATION AS EITHER A NEC CLASS 2 OR CLASS 1 CIRCUIT.
- THE WIRELESS AREA LIGHTING CONTROLLER SWITCHES ONE OR MULTIPLE FIXTURES (UP TO 20A) ON OR OFF AS WELL MANAGES THE LOW VOLTAGE DIMMING SIGNAL OF MANY CONVENTIONAL 0-10V DIMMING BALLAST
- MAXIMUM OF 30 DIMMING BALLASTS WITH WIRELESS AREA LIGHTING CONTROLLER
- MAXIMUM OF 100FT OF THE GREY & VIOLET (TWISTED PAIR) WIRE FROM ANY GIVEN BALLAST TO WIRELESS AREA LIGHTING CONTROLLER

REV	DESCRIPTION/CHANGE	DATE
 www.encelium.com		
TITLE <i>GROUP SW-DIM (EN-ALC-ZB)</i>		
SCALE <i>NTS</i>	PROJ NO. <i>-: -</i>	
DRAWN <i>S.PANERI</i>	DWG. NO. <i>EN-ZB-002-R0</i>	SIZE <i>A</i>
DATE <i>03-MAY-21</i>	FILE NAME <i>EN-ZB-002-R0-GROUP DIM</i>	