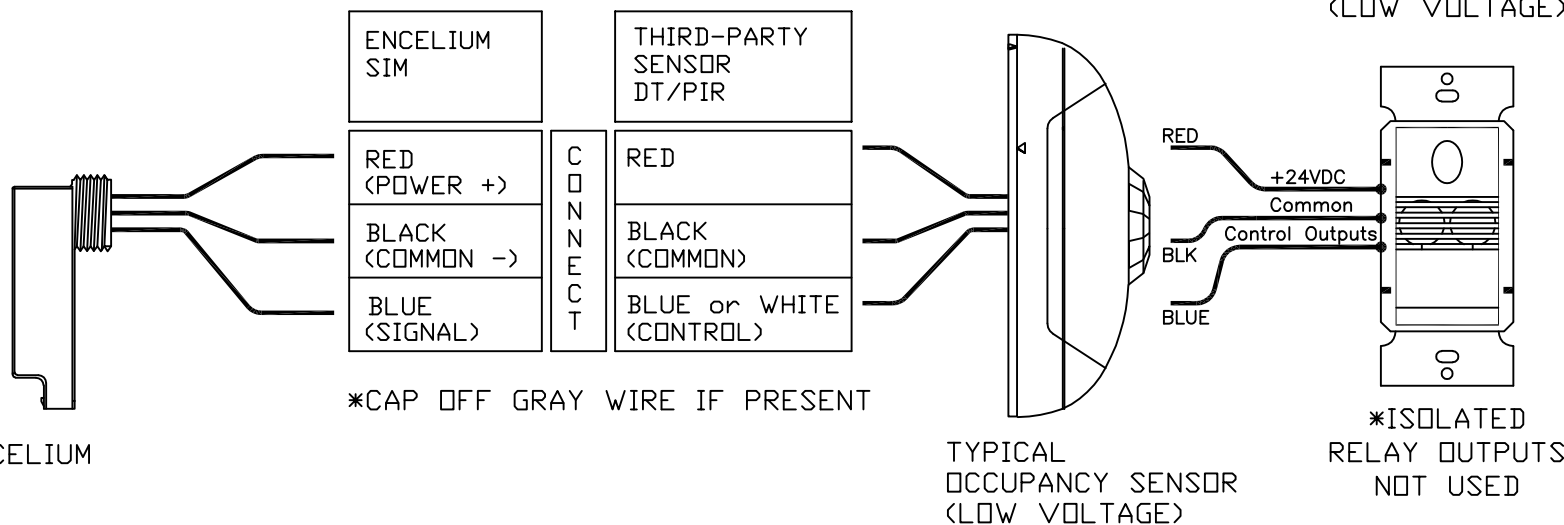


ENCELIUM SENSOR INTERFACE MODULE (SIM)  
TO  
OCCUPANCY SENSOR WIRING TABLE



ENCELIUM  
SIM

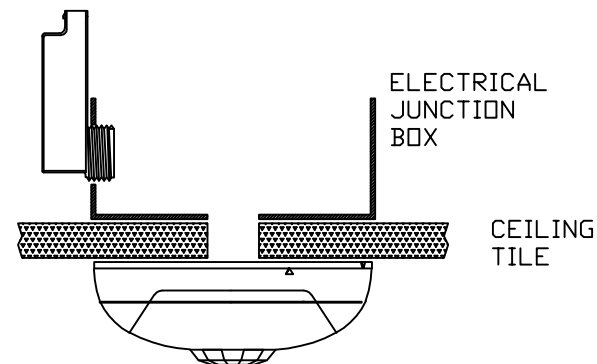
SENSOR INTERFACE MODULE

EN-SIM-AI/SPS-GB2-BK
EN-SIM-AI/SPS-GB2-BK/DR *

\* FOR DAMP RATED LOCATIONS


TYPICAL  
OCCUPANCY SENSOR  
(LOW VOLTAGE)

\*ISOLATED  
RELAY OUTPUTS  
NOT USED



MOUNTING DETAIL

- NOTES:
1. ADJUST TIME DELAY SETTING FOR NON-ENCELIUM OCCUPANCY SENSOR TO 5MINS.
  2. POWER PACK IS NOT REQUIRED.
  3. WIRE UNIT IN ACCORDANCE WITH ALL APPLICABLE ELECTRICAL AND BUILDING CODES.
  4. USE OF ELECTRICAL JUNCTION BOX RECOMMENDED.
  5. REFER TO ENCELIUM SIM INSTALLATION AND SERVICE MANUAL BEFORE INSTALLING OR SERVICING MODULE.
  6. FOR COMPATIBILITY WITH OTHER CONFIGURATIONS ON ENCELIUM PRODUCTS CONTACT YOUR REPRESENTATIVE.
  7. PLEASE NOTE THIRD-PARTY SENSORS ARE TO BE LOW VOLTAGE, PLEASE REFER TO CUTSHEET.

REV	DESCRIPTION/CHANGE	DATE
 <a href="http://www.encelium.com">www.encelium.com</a>		
TITLE <i>SIM-OCCUPANCY SENSOR</i>		
SCALE <i>NTS</i>	PROJ NO. <i>-: -</i>	
DRAWN <i>S.PANERI</i>	DWG. NO. <i>EN-GB-002-R1</i>	SIZE <i>A</i>
DATE <i>14-MAY-2021</i>	FILE NAME <i>EN-GB-002-R1-SIM-OCS</i>	