

SHS Wallstation

Shade Control Wallstation

Date: _____

Quantity: _____

Company: _____

Project: _____



The Shade Control Wallstation offers the ability to adjust lighting and shades from a single wallstation — giving the occupant a simplified interaction and experience. The Scene buttons allow for recalling pre-defined lighting levels and shade position based on user aesthetics and requirements.

Key Features & Benefits

- Control lighting and shades with a single user interface
- High aesthetic finish with a sleek design
- Dedicated raise/lower buttons enable finer adjustment of lights and shades
- Can be assigned to a single or multiple zones in a space
- Available in both wired and wireless installations — both with simple installation
- Works with:
 - Encelium X
 - Encelium Extend

Specifications

SENSING AND CONTROL

Polaris Software

- Mapping/Remapping
- Combined scene & zone in one Wallstation
- Application of custom commands to individual Wallstation buttons¹

ELECTRICAL

Operating Temperature

- 14° - 104°F (-10° - 40°C)

Relative Humidity

- 5% - 95% non-condensing, for indoor locations

ENVIRONMENTAL

Ambient Temperature

- Ta maximum 140°F (60°C)

PHYSICAL

Dimensions (H x W x D)

- J-Box Mounted:
4.5 x 2.8 x 0.9 inch (114.3 x 70.1 x 23.9 mm)
- Surface-Mount:
4.5 x 2.8 x 0.5 inch (114.3 x 70.1 x 12.7 mm)

Mounting Options

- Standard size wall box mount
- On mounting brackets for low voltage devices
- Support for "Decorator" style wall plate installation

NEMA

- Meets WD 6 and WD 1

WARRANTY

- For warranty details, refer to the full warranty documentation at www.encelium.com

CERTIFICATIONS & SAFETY

Approbations

- cUL Listed (UL 916)
- FCC Part 15/ICES-003
- RoHS Compliant

Environmental Suitability

- Rated for dry locations²

Complies with Electromagnetic Compatibility (EMC) Standards:

- EN 61000-4-2
- EN 61000-4-4
- EN 61000-4-5



Ordering Information

The 3 Scene Shade Control wallstation offers the ability to adjust lights and shades from a single wallstation. The scene buttons allow for recalling specific lighting level and shade position based on user requirements.

Wired Wallstation

Item Number	Ordering Code	Description	Communication Network	Modifiers
56342	EN-WS-SHSC3-GB2-WH	SHS Wallstation, 3 Scene	GreenBus	White – WH

Wireless Wallstation

Item Number	Ordering Code	Description	Communication Network	Modifiers
56341	EN-WS-SHSC3-ZB-WH	SHS Wallstation, 3 Scene	Zigbee	White – WH

Surface-Mount Kit

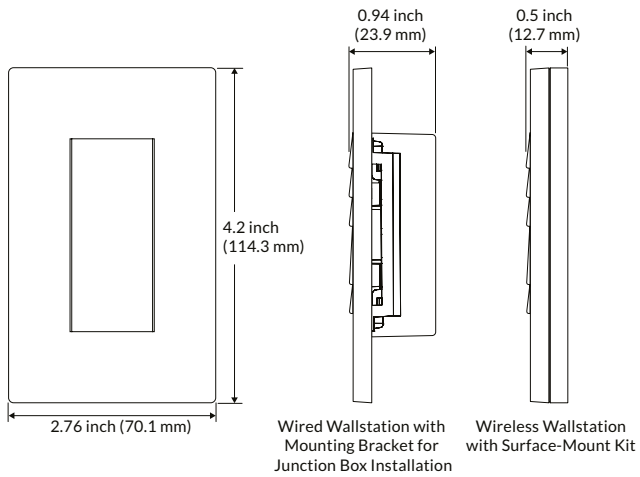
Item Number	Ordering Code	Description	Modifiers
45582	EN-SMK-ZB-WH	Surface-Mount Kit	White – WH

Footnotes:

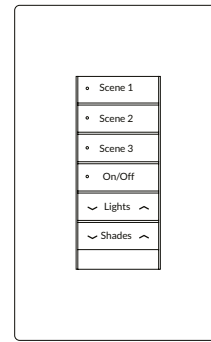
¹ To order custom buttons, contact your local Encelium sales representative.

² Powered by external DC power supply (Item #45428).

Dimensions

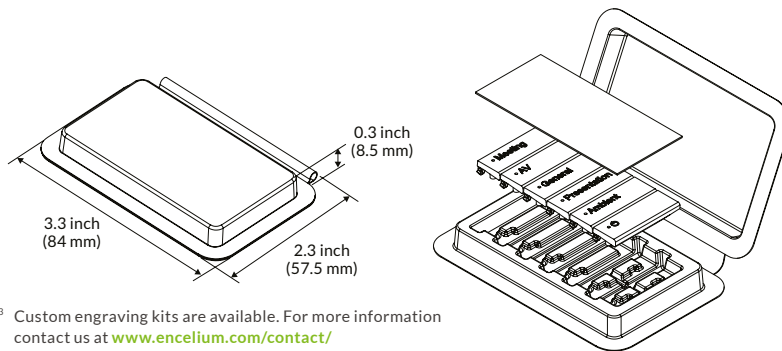


Configuration Option

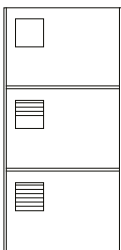


Button Kit Ordering Information³

The button kit provides the ability for field replacement. Each part number comes with the three button kits shown to allow flexibility to replace buttons on an existing wallstation.

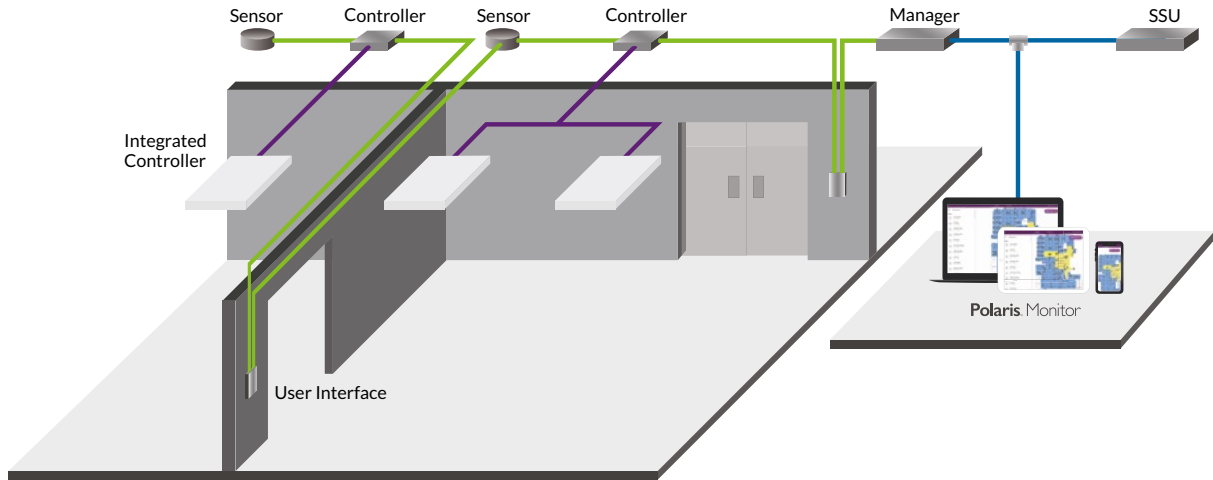


Item Number	Ordering Code	Description	Buttons	Modifiers
56343	EN-SH-BT01-ZC3-WH	SHS Wallstation, 3 Scene Button Kit	3 - Shade Control Buttons	White - WH



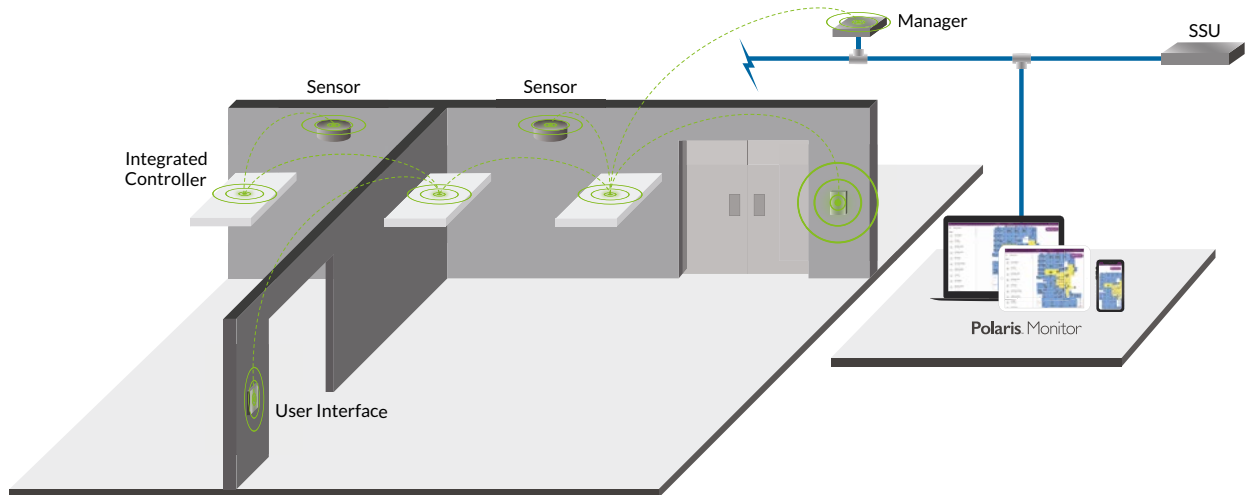
Wired System Overview

GreenBus technology makes wiring fast and error-free, since it's intuitive to install. With Encelium X, you can control DALI devices exclusively or a mixture of GreenBus and DALI. With any Encelium wired design, you get a reliable, on-site light management system that can be installed quickly and easily.



Wireless System Overview

This illustration shows how each component is easily integrated into the Encelium X Networked Light Management System.



Copyright © 2021 Digital Lumens, Incorporated. All rights reserved. Digital Lumens, the Digital Lumens logo, We Generate Facility Wellness, SiteWorx, LightRules, Lightelligence, Encelium, the Encelium logo, Polaris, GreenBus and any other trademark, service mark, or tradename (collectively "the Marks") are either trademarks or registered trademarks of Digital Lumens, Inc. in the United States and/or other countries, or remain the property of their respective owners that have granted Digital Lumens, Inc. the right and license to use such Marks and/or are used herein as nominative fair use. Due to continuous improvements and innovations, specifications may change without notice.