

# SC Series Wallstations

## Scene Dimming Wallstation

Date: \_\_\_\_\_

Quantity: \_\_\_\_\_

Company: \_\_\_\_\_

Project: \_\_\_\_\_



The Encelium SC Scene Dimming Wallstation series is a multi-scene, single-zone dimming Wallstation that provides customized light level control in areas such as boardrooms, conference rooms, private offices, and other areas requiring architectural dimming.

The SC Series allows the user to select pre-programmed light levels or “scenes” with the push of a button. Scene configuration can be changed via Polaris Software.

The SC Series Wallstations are available in Wired and Wireless designs with multiple color aesthetics to suit a range of applications.

### Key Features & Benefits

- Available in either 3 Scene or 5 Scene configuration options
- The sleek, aesthetic designs are suitable for all interior locations
- Available in White, Ivory, Gray, and Black to suit a range of interior designs
- Available in both Wireless and Wired versions with simple installation with tool-less mounting
- Setup and configuration via Polaris™ software
- Wireless wallstation offer 10-year battery life with automatic battery monitoring via Polaris software
- Works with:
  - Encelium X
  - Encelium Extend

## Specifications

### SENSING AND CONTROL

#### Polaris Software

- Mapping/Remapping
- Combined scene & zone in one Wallstation
- Application of custom commands to individual Wallstation buttons<sup>1</sup>

### ELECTRICAL

#### Operating Temperature

- 14° – 104°F (-10° – 40°C)

#### Relative Humidity

- 5% – 95% non-condensing, for indoor locations

### ENVIRONMENTAL

#### Ambient Temperature

- Ta maximum 140°F (60°C)

### PHYSICAL

#### Dimensions (H x W x D)

- J-Box Mounted:  
4.5 x 2.8 x 0.9 inch (114.3 x 70.1 x 23.9 mm)
- Surface-Mount:  
4.5 x 2.8 x 0.5 inch (114.3 x 70.1 x 12.7 mm)

#### Four Color Options

-  White
-  Ivory
-  Gray
-  Black

### Mounting Options

- Standard size wall box mount
- On mounting brackets for low voltage devices
- Support for “Decorator” style wall plate installation

### NEMA

- Meets WD 6 and WD 1

### WARRANTY

- For warranty details, refer to the full warranty documentation at [www.encelium.com](http://www.encelium.com)

### CERTIFICATIONS & SAFETY

#### Approbations

- cUL Listed (UL 916)
- FCC Part 15/ICES-003
- RoHS Compliant

#### Environmental Suitability

- Rated for dry locations<sup>2</sup>

#### Complies with Electromagnetic Compatibility (EMC) Standards:

- EN 61000-4-2
- EN 61000-4-4
- EN 61000-4-5



## Ordering Information

### Wired Wallstations

Item Number	Ordering Code	Description	Communication Network	Modifiers
45580	EN-WS-SC3-GB2-WH	SC Series Wallstation, 3 Scene	GreenBus	White – WH
45621	EN-WS-SC3-GB2-IV	SC Series Wallstation, 3 Scene	GreenBus	Ivory – IV
45626	EN-WS-SC3-GB2-GR	SC Series Wallstation, 3 Scene	GreenBus	Gray – GR
45641	EN-WS-SC3-GB2-BL	SC Series Wallstation, 3 Scene	GreenBus	Black – BL
45592	EN-WS-SC5-GB2-WH	SC Series Wallstation, 5 Scene	GreenBus	White – WH
45622	EN-WS-SC5-GB2-IV	SC Series Wallstation, 5 Scene	GreenBus	Ivory – IV
45627	EN-WS-SC5-GB2-GR	SC Series Wallstation, 5 Scene	GreenBus	Gray – GR
45642	EN-WS-SC5-GB2-BL	SC Series Wallstation, 5 Scene	GreenBus	Black – BL

### Wireless Wallstations

Item Number	Ordering Code	Description	Communication Network	Modifiers
45574	EN-WS-SC3-ZB-WH	SC Series Wallstation, 3 Scene	Zigbee	White – WH
45651	EN-WS-SC3-ZB-IV	SC Series Wallstation, 3 Scene	Zigbee	Ivory – IV
45636	EN-WS-SC3-ZB-GR	SC Series Wallstation, 3 Scene	Zigbee	Gray – GR
45646	EN-WS-SC3-ZB-BL	SC Series Wallstation, 3 Scene	Zigbee	Black – BL
45575	EN-WS-SC5-ZB-WH	SC Series Wallstation, 5 Scene	Zigbee	White – WH
45652	EN-WS-SC5-ZB-IV	SC Series Wallstation, 5 Scene	Zigbee	Ivory – IV
45637	EN-WS-SC5-ZB-GR	SC Series Wallstation, 5 Scene	Zigbee	Gray – GR
45647	EN-WS-SC5-ZB-BL	SC Series Wallstation, 5 Scene	Zigbee	Black – BL

### Surface-Mount Kit

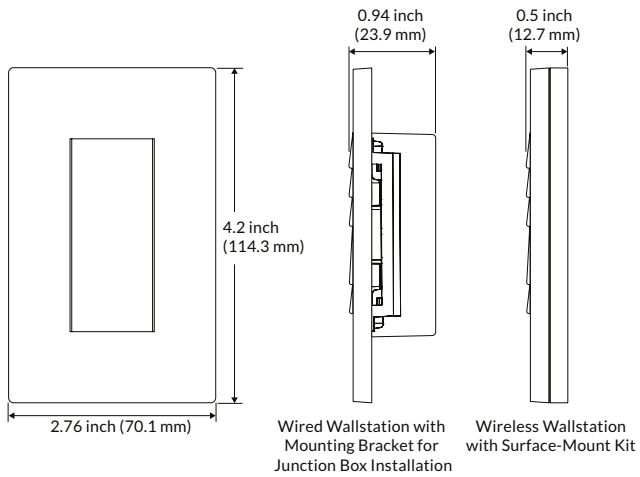
Item Number	Ordering Code	Description	Modifiers
45582	EN-SMK-ZB-WH	Surface-Mount Kit	White – WH

Footnotes:

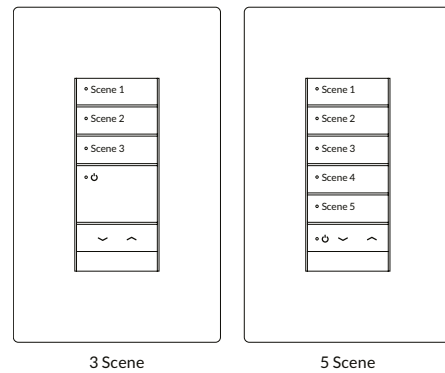
<sup>1</sup> To order custom buttons, contact your local Encelium sales representative.

<sup>2</sup> Powered by external DC power supply (Item #45428).

## Dimensions

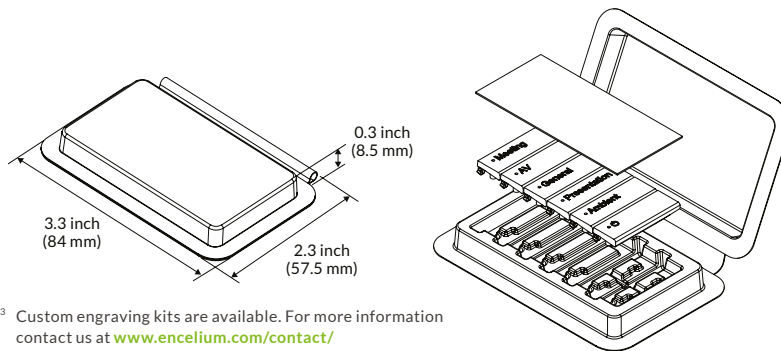


## Configuration Options



## Button Kit Ordering Information<sup>3</sup>

The button kit provides the ability for field replacement. Each part number comes with the three button kits shown to allow flexibility to replace buttons on an existing wallstation.

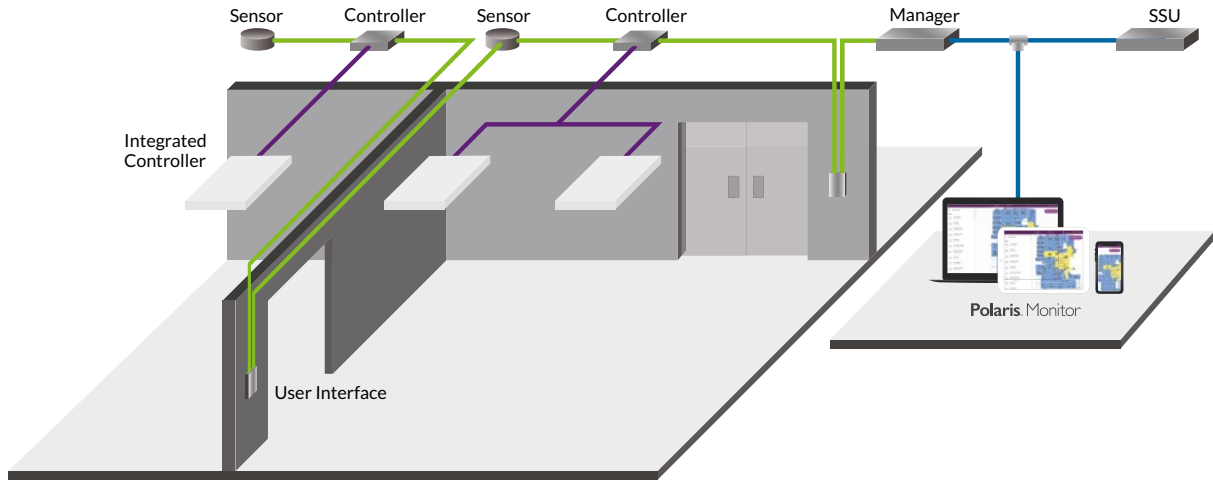


<sup>3</sup> Custom engraving kits are available. For more information contact us at [www.encelium.com/contact/](http://www.encelium.com/contact/)

Item Number	Ordering Code	Description	Buttons	Modifiers																			
56346	EN-LTG-BT01-SC5-WH	SC Series Wallstation, Lighting Application, 5 Scene Button Kit	5 - Single Height Buttons	White - WH																			
		<table border="1"> <tr><td>◦ Track</td></tr> <tr><td>◦ Pendant</td></tr> <tr><td>◦ Downlight</td></tr> <tr><td>◦ Uplight</td></tr> <tr><td>◦ Troffer</td></tr> <tr><td>◦ Sconces</td></tr> </table>	◦ Track	◦ Pendant	◦ Downlight	◦ Uplight	◦ Troffer	◦ Sconces	<table border="1"> <tr><td>◦ High</td></tr> <tr><td>◦ Medium</td></tr> <tr><td>◦ Low</td></tr> <tr><td>◦ All On</td></tr> <tr><td>◦ All Off</td></tr> <tr><td>◦ Half Dim</td></tr> </table>	◦ High	◦ Medium	◦ Low	◦ All On	◦ All Off	◦ Half Dim	<table border="1"> <tr><td>◦ On/Off</td></tr> <tr><td>◦ Scene 4</td></tr> <tr><td>◦ Scene 5</td></tr> <tr><td>◦</td></tr> <tr><td>◦</td></tr> <tr><td>◦</td></tr> </table>	◦ On/Off	◦ Scene 4	◦ Scene 5	◦	◦	◦	
◦ Track																							
◦ Pendant																							
◦ Downlight																							
◦ Uplight																							
◦ Troffer																							
◦ Sconces																							
◦ High																							
◦ Medium																							
◦ Low																							
◦ All On																							
◦ All Off																							
◦ Half Dim																							
◦ On/Off																							
◦ Scene 4																							
◦ Scene 5																							
◦																							
◦																							
◦																							
		Luminaire Type	Dim Levels	Scenes/Blank																			
56347	EN-APP-BT01-SC5-WH	SC Series Wallstation, Application, 5 Scene Button Kit	5 - Single Height Buttons	White - WH																			
		<table border="1"> <tr><td>◦ Resting</td></tr> <tr><td>◦ Reading</td></tr> <tr><td>◦ Exam</td></tr> <tr><td>◦ Nurse</td></tr> <tr><td>◦ Patient</td></tr> <tr><td>◦ ◊</td></tr> </table>	◦ Resting	◦ Reading	◦ Exam	◦ Nurse	◦ Patient	◦ ◊	<table border="1"> <tr><td>◦ General</td></tr> <tr><td>◦ Reading</td></tr> <tr><td>◦ Testing</td></tr> <tr><td>◦ Energy</td></tr> <tr><td>◦ Break</td></tr> <tr><td>◦ ◊</td></tr> </table>	◦ General	◦ Reading	◦ Testing	◦ Energy	◦ Break	◦ ◊	<table border="1"> <tr><td>◦ Meeting</td></tr> <tr><td>◦ AV</td></tr> <tr><td>◦ General</td></tr> <tr><td>◦ Presentation</td></tr> <tr><td>◦ Ambient</td></tr> <tr><td>◦ ◊</td></tr> </table>	◦ Meeting	◦ AV	◦ General	◦ Presentation	◦ Ambient	◦ ◊	
◦ Resting																							
◦ Reading																							
◦ Exam																							
◦ Nurse																							
◦ Patient																							
◦ ◊																							
◦ General																							
◦ Reading																							
◦ Testing																							
◦ Energy																							
◦ Break																							
◦ ◊																							
◦ Meeting																							
◦ AV																							
◦ General																							
◦ Presentation																							
◦ Ambient																							
◦ ◊																							
		Healthcare	Education	Office																			

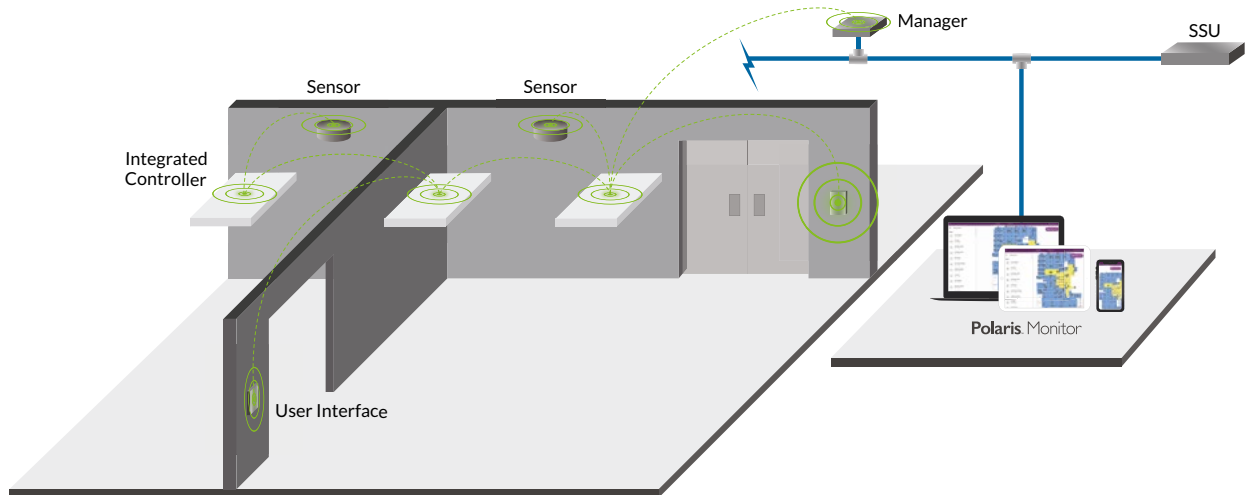
## Wired System Overview

GreenBus technology makes wiring fast and error-free, since it's intuitive to install. With Encelium X, you can control DALI devices exclusively or a mixture of GreenBus and DALI. With any Encelium wired design, you get a reliable, on-site light management system that can be installed quickly and easily.



## Wireless System Overview

This illustration shows how each component is easily integrated into the Encelium X Networked Light Management System.



Copyright © 2021 Digital Lumens, Incorporated. All rights reserved. Digital Lumens, the Digital Lumens logo, We Generate Facility Wellness, SiteWorx, LightRules, Lightelligence, Encelium, the Encelium logo, Polaris, GreenBus and any other trademark, service mark, or tradename (collectively "the Marks") are either trademarks or registered trademarks of Digital Lumens, Inc. in the United States and/or other countries, or remain the property of their respective owners that have granted Digital Lumens, Inc. the right and license to use such Marks and/or are used herein as nominative fair use. Due to continuous improvements and innovations, specifications may change without notice.