

ENCELIUM WCM
VIOLET (POWER +)
GREY (COMMON -)
BLUE (SIGNAL)
BLACK (LINE VOLTAGE IN)
RED (LINE VOLTAGE OUT)
WHITE (NEUTRAL)

ENCELIUM GREENBUS □
 (MAXIMUM DISTANCE = 100 FT.)
 INCLUDED 20FT PREFAB CABLE

- RECEIVE SINGLE EVENT SIGNAL TO
- TURN ON.
 - TURN OFF.
 - CALL SCENES.
 - RAISE/LOWER DIM LEVELS.
 - OR CHANGE SHADE POSITIONS (CONTACTS OUTPUT FROM OTHER MFG.).

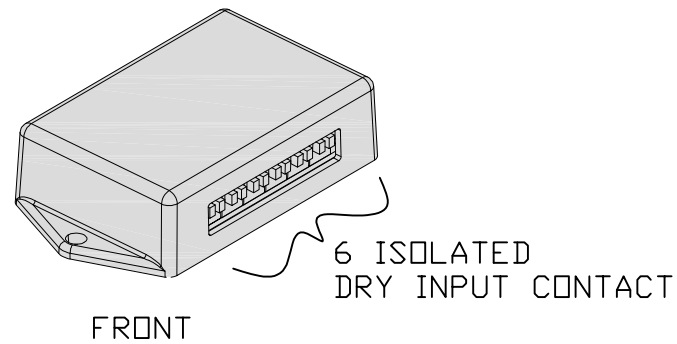
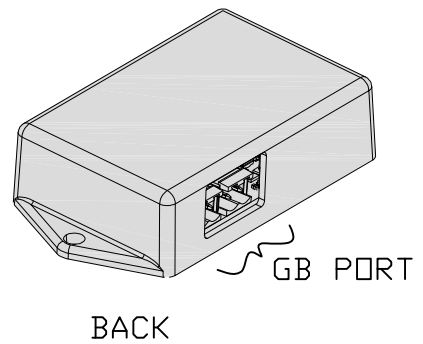
WIRELESS CONTROL MODULE

EN-WCM-ZB
EN-WCM-ZB-DR*


* FOR DAMP RATED LOCATIONS

ENCELIUM DRY CONTACT INPUT INTERFACE

EN-DCII-GB2



- NOTES:
1. REFER TO MANUFACTURER'S SPECIFICATIONS FOR LOAD LIMITS AND DETAILED INSTALLATION INSTRUCTIONS.
 2. WIRE UNIT IN ACCORDANCE WITH ALL APPLICABLE ELECTRICAL AND BUILDING CODES.
 3. REFER TO ENCELIUM DRY CONTACT INPUT INTERFACE INSTALLATION AND SERVICE MANUAL BEFORE INSTALLING OR SERVICING MODULE.
 4. FOR COMPATIBILITY WITH OTHER CONFIGURATIONS WITH ENCELIUM PRODUCTS CONTACT YOUR REPRESENTATIVE.
 5. FOR SOME INSTALLATIONS, AGAINST A WALL OR DIN RAIL CLIP MOUNT.

REV	DESCRIPTION/CHANGE	DATE
 www.encelium.com		
TITLE <i>WCM-DRY CONTACT INPUT INTERFACE (DCII)</i>		
SCALE <i>NTS</i>	PROJ. NO. - : -	
DRAWN <i>S.PANERI</i>	DWG. NO. <i>EN-ZB-015-R0</i>	SIZE A
DATE <i>14-MAY-2021</i>	FILE NAME <i>WCM - DRY CONTACT INPUT INTERFACE</i>	