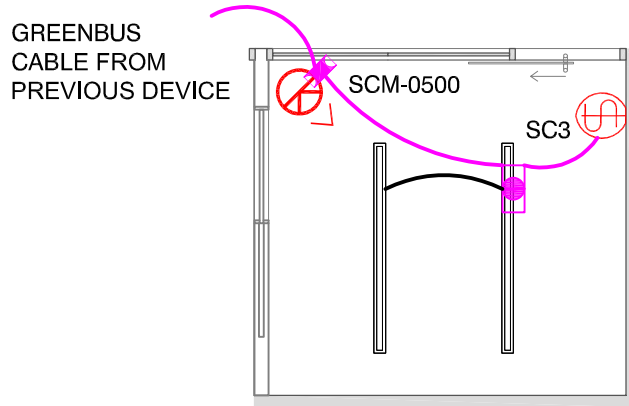


## PRIVATE OFFICE ASHRAE 90.1-2010 ZONAL CONTROL WIRED SYSTEM



### SEQUENCE OF OPERATION

- 1.) AUTO ON TO 50% OR CONTROLLED MANUALLY WHEN OCCUPANCY DETECTED. TURN OFF AFTER VACANCY OF 30MINS.
- 2.) MANUAL ON/OFF AND FULL RANGE DIMMING CONTROL OF GENERAL LIGHTING WITH WALL SWITCH.
- 3.) AUTOMATIC DAYLIGHT RESPONSIVE CONTROL FOR SIDE LIGHTING
  - NOT REQUIRED IF ROOM HAS <240SQFT OF GLAZING OR LIGHTING LOADS <120W, IN THE SIDELIT ZONE.
- 4.) AUTO OFF ALL LIGHTING WITHIN 30 MINUTES OF OCCUPANTS LEAVING.

### DESIGN CONSIDERATIONS

- 1.) ENCELIUM BACKBONE IS NEEDED VIA SYSTEM SUPPORT UNIT (SSU) ALONG WITH A NETWORK SWITCH.  
(REF DATA SHEET. LMS054)
- 2.) WIRED MANAGER (M) IS NEEDED WHICH CAN ACCOMMODATE UP TO 800 INDEPENDENT DEVICES.  
(REF DATA SHEET. LMS093)
- 3.) IF EMERGENCY UL924 RATED DEVICE IS REQUIRED, WIRED MANAGER (M) IS RATED FOR CENTRAL SENSE, IF LOCAL SENSE IS REQUIRED A THIRD-PARTY DEVICE WILL BE NEEDED. (REF DATA SHEET. 1ESRN)
- 4.) PER CODE PLUG-LOAD CONTROLS ARE REQUIRED FOR NEW CONSTRUCTION.

### TYPICAL DESIGN WITH CONTROL INTENT

ILLUSTRATION ONLY, ELECTRICAL CONTRACTOR RESPONSIBLE FOR APPLICATION SPECIFIC WIRING.

### LEGEND - ENCELIUM SYSTEM GREENBUS COMPONENTS

QTY	SYMBOL	DESCRIPTION
1	 SCM-0500	OCCUPANCY/VACANCY SENSOR PIR/ULTRASONIC MULTI-TECH, 180 DEG, 500 SQ. FT. COVERAGE, LOW VOLTAGE, CEILING MOUNT OCCUPANCY, W/ENCELIUM SENSOR INTERFACE MODULE (SIM)
1	 2B	ENCELIUM LOW VOLTAGE - 2 BUTTON SWITCH WALL STATION - (2B)
1	 LCM	LUMINAIRE CONTROL MODULE (LCM)
	 Greenbus Cable	GREENBUS CABLE. PRE-TERMINATED (18AWG X 2) MAXIMUM CONNECTED LENGTH OF WIRING IS 2500FT. PER CHANNEL