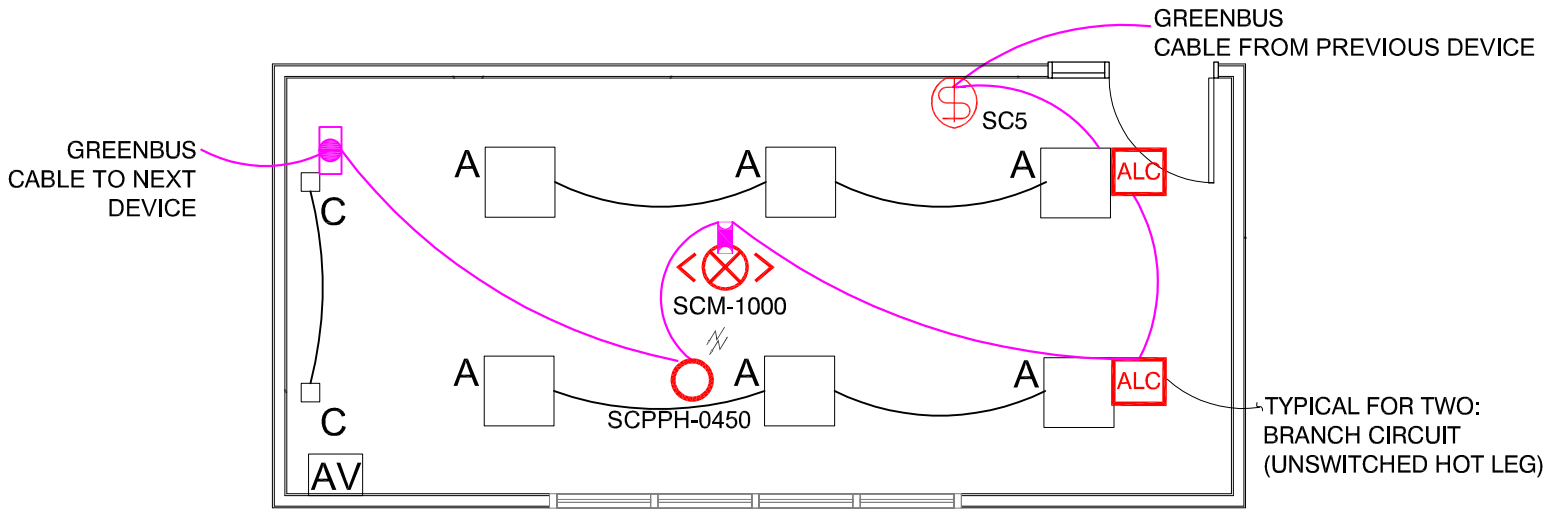


## LARGE CONFERENCE ROOM ASHRAE 90.1-2010 ZONAL CONTROL WIRED SYSTEM



### SEQUENCE OF OPERATION

- 1.) AUTO ON TO 50% OR CONTROLLED MANUALLY WHEN OCCUPANCY DETECTED. TURN OFF AFTER VACANCY OF 30MINS.
- 2.) MANUAL ON/OFF AND FULL RANGE DIMMING CONTROL OF GENERAL LIGHTING WITH WALL SWITCH. OPTIONAL 3 SCENE CONTROL.
- 3.) DAYLIGHT HARVESTING IS NOT REQUIRED IF SPACE WITHOUT SIDE LIT AREAS <250FT<sup>2</sup>.
- 4.) AUTO OFF ALL LIGHTING WITHIN 30 MINUTES OF OCCUPANTS LEAVING.

### DESIGN CONSIDERATIONS

- 1.) ENCELIUM BACKBONE IS NEEDED VIA SYSTEM SUPPORT UNIT (SSU) ALONG WITH A NETWORK SWITCH. (REF DATA SHEET. LMS054)
- 2.) WIRED MANAGER (M) IS NEEDED WHICH CAN ACCOMMODATE UP TO 800 INDEPENDENT DEVICES. (REF DATA SHEET. LMS093)
- 3.) IF EMERGENCY UL924 RATED DEVICE IS REQUIRED, WIRED MANAGER (M) IS RATED FOR CENTRAL SENSE, IF LOCAL SENSE IS REQUIRED A THIRD-PARTY DEVICE WILL BE NEEDED. (REF DATA SHEET. 1ESRN)

### TYPICAL DESIGN WITH CONTROL INTENT

ILLUSTRATION ONLY, ELECTRICAL CONTRACTOR RESPONSIBLE FOR APPLICATION SPECIFIC WIRING.

### LEGEND - ENCELIUM SYSTEM GREENBUS COMPONENTS

QTY	SYMBOL	DESCRIPTION
1	 SCM-1000	OCCUPANCY SENSOR, PIR/ULTRASONIC MULTI-TECH 360DEG WIDE VIEW, 1000SQFT COVERAGE, LOW VOLTAGE, CEILING MOUNT. W/ENCELIUM SIM
1	 SCPPH-0450	GREENBUS PHOTOCELL SENSOR 360 DEG, LOW VOLTAGE, CEILING MOUNT, BUILT-IN OCCUPANCY SENSOR, PIR, 450 SQ.FT COVERAGE(OPTIONAL), NO SIM REQUIRED. ( ⚡ ) - PHOTOCELL ACTIVE
1	 SC5	ENCELIUM LOW VOLTAGE - SCENE CONTROL WALL STATION (SC5) - FIVE SCENES
1	 LCM	LUMINAIRE CONTROL MODULE (LCM)
2	 ALC	AREA LIGHTING CONTROLLER - HEAVY DUTY RELAY W/0-10V DIMMING (ALC)
	 GREENBUS CABLE	GREENBUS CABLE. PRE-TERMINATED (18AWG X 2) MAXIMUM CONNECTED LENGTH OF WIRING IS 2500FT. PER CHANNEL