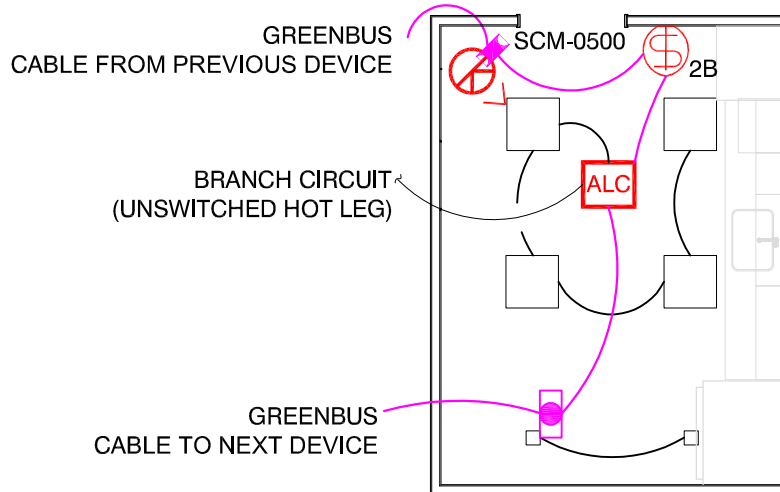


## BREAK ROOM ASHRAE 90.1-2010 ZONAL CONTROL WIRED SYSTEM



### SEQUENCE OF OPERATION

- 1.) AUTO ON TO 50% VIA OCCUPANCY SENSING.
- 2.) MANUAL ON/OFF AND FULL RANGE DIMMING CONTROL OF GENERAL LIGHTING.

### DESIGN CONSIDERATIONS

- 1.) ENCELIUM BACKBONE IS NEEDED VIA SYSTEM SUPPORT UNIT (SSU) ALONG WITH A NETWORK SWITCH. (REF DATA SHEET. LMS05)
- 2.) WIRED MANAGER (M) IS NEEDED WHICH CAN ACCOMMODATE UP TO 800 INDEPENDENT DEVICES. (REF DATA SHEET. LMS093)
- 3.) IF EMERGENCY UL924 RATED DEVICE IS REQUIRED, WIRED MANAGER (M) IS RATED FOR CENTRAL SENSE, IF LOCAL SENSE IS REQUIRED A THIRD-PARTY DEVICE WILL BE NEEDED.  
(REF DATA SHEET. 1ESRN)
- 4.) WHEN THE PRIMARY SIDELIGHT AREA IS 250FT<sup>2</sup> OR LARGER, IT MUST HAVE AUTOMATIC DAYLIGHT RESPONSIVE CONTROLS INSTALLED FOR ALL GENERAL LIGHTING IN THAT AREA.

### TYPICAL DESIGN WITH CONTROL INTENT

ILLUSTRATION ONLY, ELECTRICAL CONTRACTOR RESPONSIBLE FOR APPLICATION SPECIFIC WIRING

### LEGEND - ENCELIUM EXTEND GREENBUS COMPONENTS

QTY	SYMBOL	DESCRIPTION
1	 SCM-0500	OCCUPANCY/VACANCY SENSOR PIR/ULTRASONIC MULTI-TECH, 180 DEG, 500 SQ. FT. COVERAGE, LOW VOLTAGE, CEILING MOUNT OCCUPANCY/VACANCY, W/ENCELIUM SENSOR INTERFACE MODULE (SIM)
1	 2B	ENCELIUM LOW VOLTAGE - 2 BUTTON SWITCH WALL STATION - (2B)
1	 ALC PL	AREA LIGHTING CONTROLLER - HEAVY DUTY RELAY FOR PLUG LOAD (ALC)
1	 SIM	SENSOR INTERFACE MODULE (SIM)
	 GreenBus Cable	GREENBUS CABLE. PRE-TERMINATED (18AWG X 2) MAXIMUM CONNECTED LENGTH OF WIRING IS 2500FT. PER CHANNEL