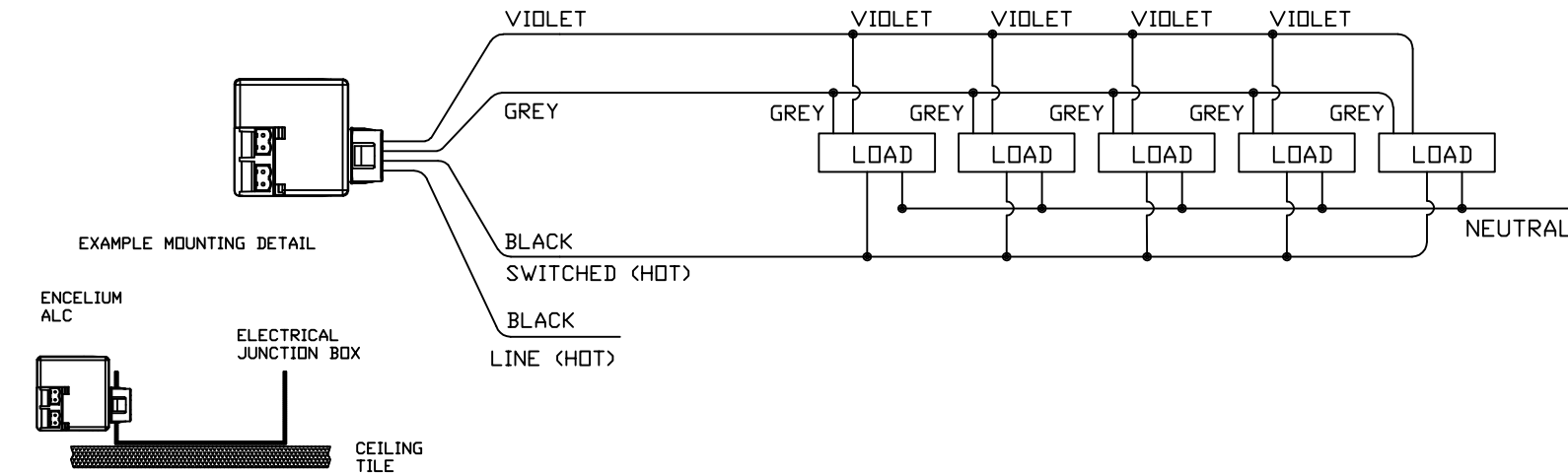
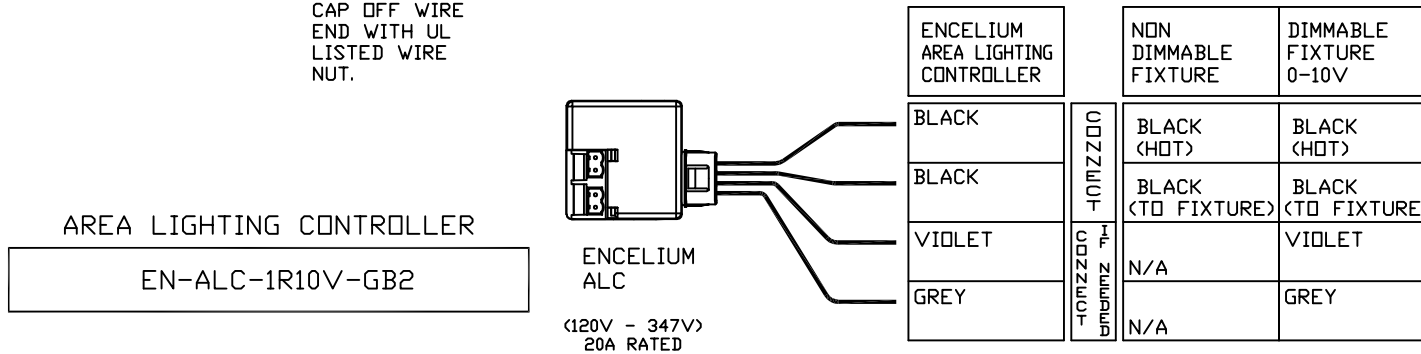


ALC GROUP SWITCHING / DIMMING


ENCELIUM AREA LIGHTING CONTROLLER (ALC) (347/277/120 VAC)

NOT USED WIRES
CAP OFF WIRE
END WITH UL
LISTED WIRE
NUT.



NOTES:

1. REFER TO MANUFACTURER'S SPECIFICATIONS FOR LOAD LIMITS AND DETAILED INSTALLATION INSTRUCTIONS.
2. WIRE UNIT IN ACCORDANCE WITH ALL APPLICABLE ELECTRICAL AND BUILDING CODES.
3. REFER TO ENCELIUM AREA LIGHTING CONTROLLER INSTALLATION AND SERVICE MANUAL BEFORE INSTALLING OR SERVICING MODULE.
4. FOR COMPATIBILITY WITH OTHER CONFIGURATIONS OR BALLASTS ON ENCELIUM PRODUCTS CONTACT YOUR REPRESENTATIVE.
5. FOR SOME INSTALLATIONS, A JUNCTION BOX MAY BE REQUIRED. IT IS RECOMMENDED TO SECURELY MOUNT THE ALC TO THE JUNCTION BOX USING AN AVAILABLE ½ INCH KNOCK-OUT
7. THE ALC DIMMING OUTPUT IS FULLY ISOLATED AND SUITABLE FOR INSTALLATION AS EITHER A NEC CLASS 2 OR CLASS 1 CIRCUIT.
8. THE ALC SWITCHES ONE OR MULTIPLE FIXTURES (UP TO 20A) ON OR OFF AS WELL MANAGES THE LOW VOLTAGE DIMMING SIGNAL OF MANY CONVENTIONAL 0-10V DIMMING BALLAST
9. MAXIMUM OF 30 DIMMING BALLASTS WITH AREA LIGHTING CONTROLLER
10. MAXIMUM OF 100FT OF THE GREY & VIOLET (TWISTED PAIR) WIRE FROM ANY GIVEN BALLAST TO AREA LIGHTING CONTROLLER

REV	DESCRIPTION/CHANGE	DATE
 www.encelium.com		
TITLE <i>ALC GROUP SWITCHING - DIMMING</i>		
SCALE <i>NTS</i>	PROJ NO. <i>-: -</i>	
DRAWN <i>S.PANERI</i>	DWG. NO. <i>EN-GB-009-R0</i>	SIZE <i>A</i>
DATE <i>05-MAY-21</i>	FILE NAME <i>EN-GB-009-R0-GROUPSWDIM</i>	