

VISION Sensor

Motion Sensor

Date: _____

Quantity: _____

Company: _____

Project: _____



The **VISION Sensor** is a motion sensor ideal for large areas such as open-plan offices, corridors and storage rooms.

The VISION Sensor can be used as a standalone solution or as part of the Encelium X Lighting Control System with the addition of a DALI High-Bay Adapter.

As a standalone device, the VISION Sensor can control up to 15 ECGs. You can customize the time delay from 30 seconds to 20 minutes.

With the addition of the DALI High-Bay Adapter, the VISION Sensor can be used as part of Encelium X Lighting Control System.

Works with

- Encelium X
- ▶ DALI Wired



Key Features & Benefits

- Motion sensor with switching contact
- Adjustable switch-off delay: 30 seconds to 20 minutes
- Maximum power consumption in standby mode: 0.25 W
- Perfect for large areas, open-plan offices, corridors, and storage rooms
- DALI High-Bay Adapter is a power supply for coupler from DALI integrated light sensor
- DALI High-Bay Adapter light regulation for mounting heights up to 13 m (43 ft)

VISION Sensor Specifications

SENSING AND CONTROL

Sensing

- Motion sensor

Control

- Switching Contact

ELECTRICAL

Power Consumption

- 0.6 W

Input Voltage

- 120 to 277 VAC, 50/60 Hz

ENVIRONMENTAL

Ambient Temperature Range

- -10° to 70°C (-14° to 158°F)

PHYSICAL

Dimensions (H x D)

- 40 x Ø 116 mm (1.6 x Ø 4.6 inches)

Weight

- 135 g (4.8 oz)

Housing Color

- White

Housing Material

- Plastic

Mounting Option

- Ceiling Integration with DALI High-Bay Adapter

Mounting Height

- 4.5 m (15 ft)

Detection Area

- Ø21 m (69 ft) maximum

Detection Angle

- Approximately 140°

WARRANTY

- For warranty details, refer to the full warranty documentation at encelium.com

CERTIFICATIONS & SAFETY

Approbations

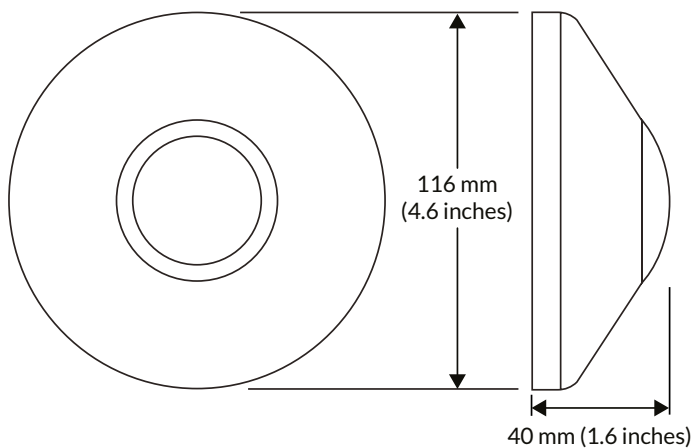
- CE
- Class II

Environmental Suitability

- IP20



Dimensions



DALI High-Bay Adapter Specifications

SENSING AND CONTROL

Sensing

- Light Sensor

Control

- DALI Communication

Light Sensor Operating Range

- 20 to 800 lux (approximately)

ENVIRONMENT

Ambient Temperature Range

- 0° to 50°C (32° to 122°F)

PHYSICAL

Dimensions (H x W x D)

- 37 x 139 x Ø 118 mm (1.46 x 5.4 x Ø 4.6 inches)

Weight

- 74 g (2.6 oz)

Housing Color

- White

Housing Material

- Plastic

Mounting Option

- Ceiling Integration

Mounting Height

- Up to 13 m (43 ft)

WARRANTY

- For warranty details, refer to the full warranty documentation at encelium.com

CERTIFICATIONS & SAFETY

Approbations

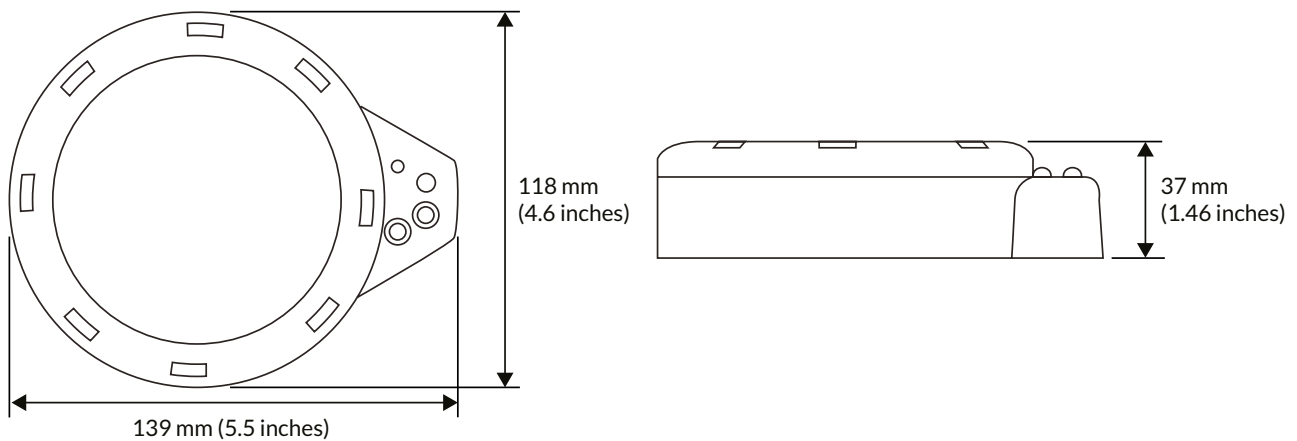
- CE
- RoHS Compliant

Environmental Suitability

- IP20



Dimensions

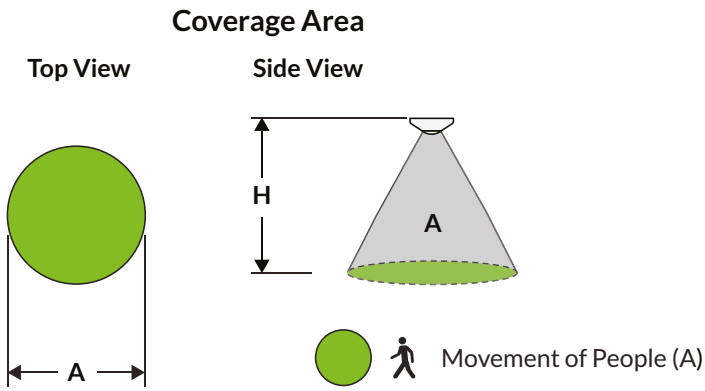


Ordering Information

Ordering Code	Description	Approbations	Communication Network
4008321957047	VISION Sensor	CE	—
4008321774132	DALI High-Bay Adapter	CE	DALI

Note: The DALI High-Bay Adapter is sold separately.

Sensor Coverage

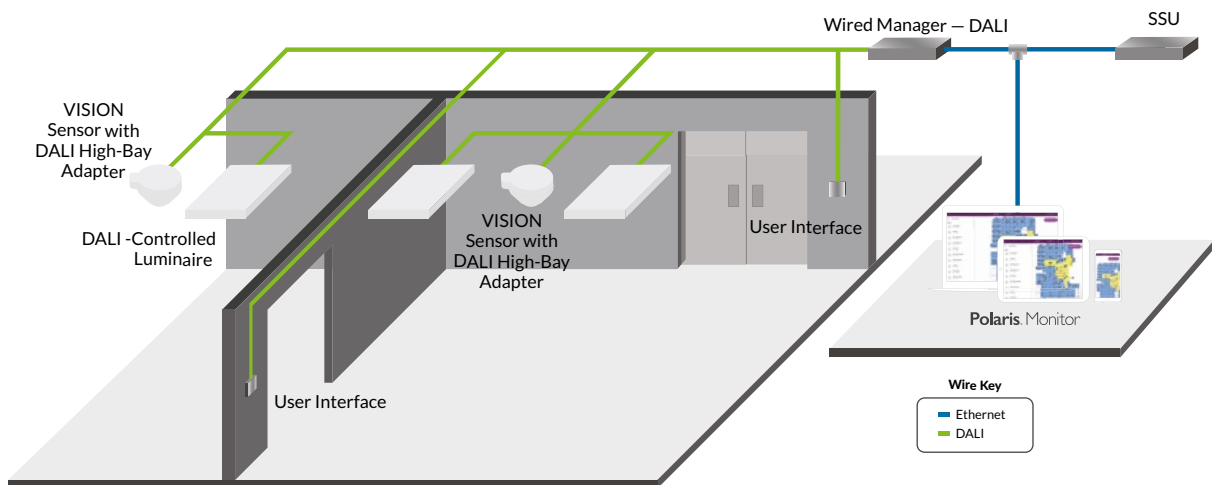


Sensor Detection Range

	Movement of People (A)
Mounting Height (H)	6 m (14.8 ft)
Detection Range	Ø 21 m (69 ft)
Coverage Area	360°

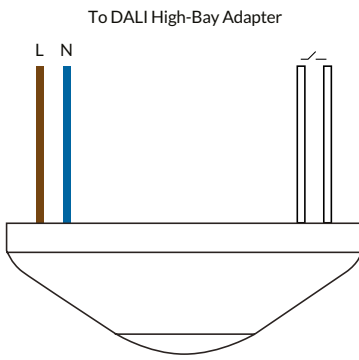
Wired System Overview

Encelium Extend enables you to control DALI devices. With any Encelium wired design, you get a reliable, lighting control system that can be installed quickly and easily.

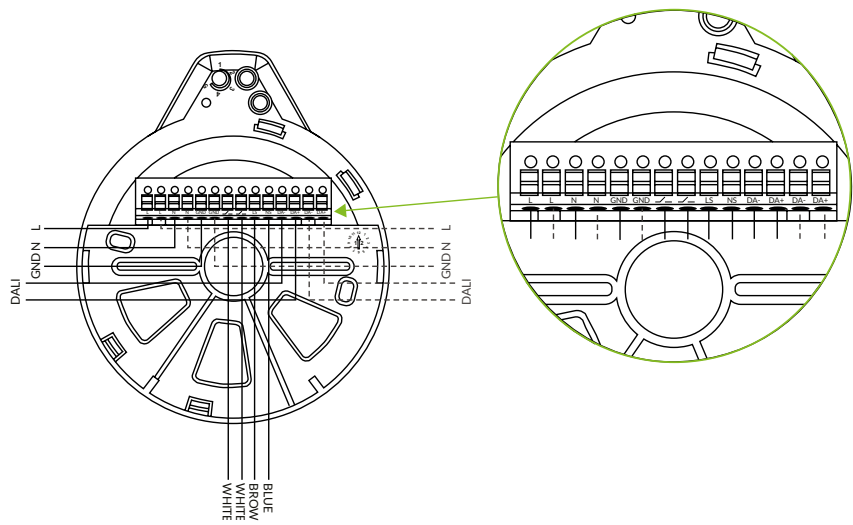


Wiring Diagrams

VISION Sensor Wiring



DALI High-Bay Adapter Wiring



Mounting Option

Ceiling Integration

