

WLC

Wireless to DALI Luminaire Controller

Date: _____

Quantity: _____

Company: _____

Project: _____



The **Wireless to DALI Luminaire Controller (WLC)** enables standard DALI drivers to be integrated as part of an Encelium X Wireless Lighting Control System.

The WLC is able to individually address and control up to 2 DALI drivers and can provide group control for up to 8 DALI drivers.

An Occupancy and daylight sensor can also be connected to the WLC, including DALI 2.0 sensors*.

The WLC also supports advanced devices such as DT8 Tunable White Drivers for manual and automated Tunable White use cases as well as DALI Emergency Lighting and testing.

Works with

- Encelium X
- ▶ Wireless



Key Features & Benefits

- Integrated wireless transceiver module
DALI interface for addressed or broadcast operation
- Bi-directional Wireless to DALI communication
- DALI occupancy and daylight sensor connectible, including DALI 2.0 sensors*
- Customizing lighting scenes for tailored experiences/tasks
- Firmware update over-the-air via Encelium X Lighting Control System
- Tunable White control of DT8 Drivers
- DALI Emergency Lighting and Testing

* DALI 2.0 sensors require validation from Encelium technical team to ensure compatibility.

WLC Specifications

SENSING AND CONTROL

Sensing

- 1 to 2 DALI gears in Addressed Mode and 1 DALI Sensor
- 3 to 8 DALI gears in Broadcast Mode and 1 DALI Sensor

Control

- Bi-directional Wireless to DALI Communication
- Firmware updated wirelessly via Encelium X

Wireless Range

- < 15 m (49.2 ft)

ELECTRICAL

Power Consumption

- 0.3 to 1 W (DALI)

Input Voltage

- 220 to 240 VAC, 50/60 Hz

Power Output

- 14 VDC with reversible over-temperature, short-circuit, overload protection

ENVIRONMENTAL

Operating Temperature

- -20° to 60°C (-4° to 140°F)

PHYSICAL

Dimensions (H x W x D)

- 21 x 108 x 30 mm (0.83 x 4.25 x 1.18 inches)

Weight

- 41 g (1.4 oz)

Housing Color

- White

Housing Material

- Plastic

Mounting Options

- Luminaire Integration
- Independent Ceiling Integration is possible with the ECO CI KIT (Optional)

WARRANTY

- For warranty details, refer to the full warranty documentation at encelium.com

CERTIFICATIONS & SAFETY

Approbations

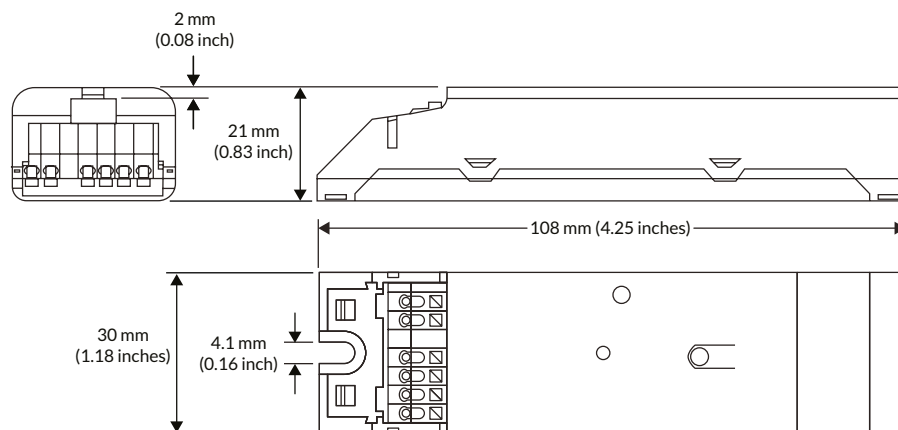
- CE

Environmental Suitability

- IP20



Dimensions



ECO CI KIT Specifications

PHYSICAL

Dimensions (H x W x D)

- ECO CI KIT installed on WLC
23 x 122 x 33 mm (0.9 x 4.8 x 1.3 inches)

Weight

- 20 g (0.7 oz)

Housing Color

- Green

Housing Material

- Plastic

Mounting Options

- Independent Ceiling Integration strain relief housing kit for WLC, DALI HF LS LI Coupler, and DALI Sensor Coupler E

WARRANTY

- For warranty details, refer to the full warranty documentation at encelium.com

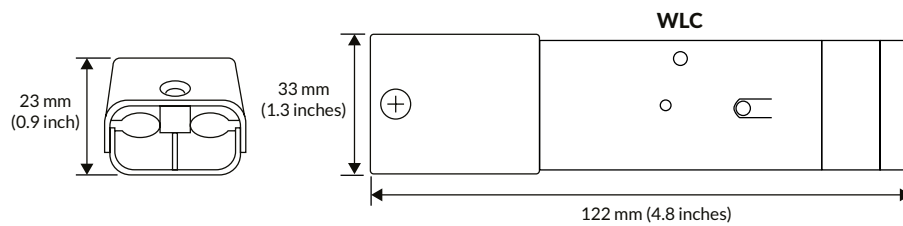
CERTIFICATIONS & SAFETY

Approbations

- CE



Dimensions



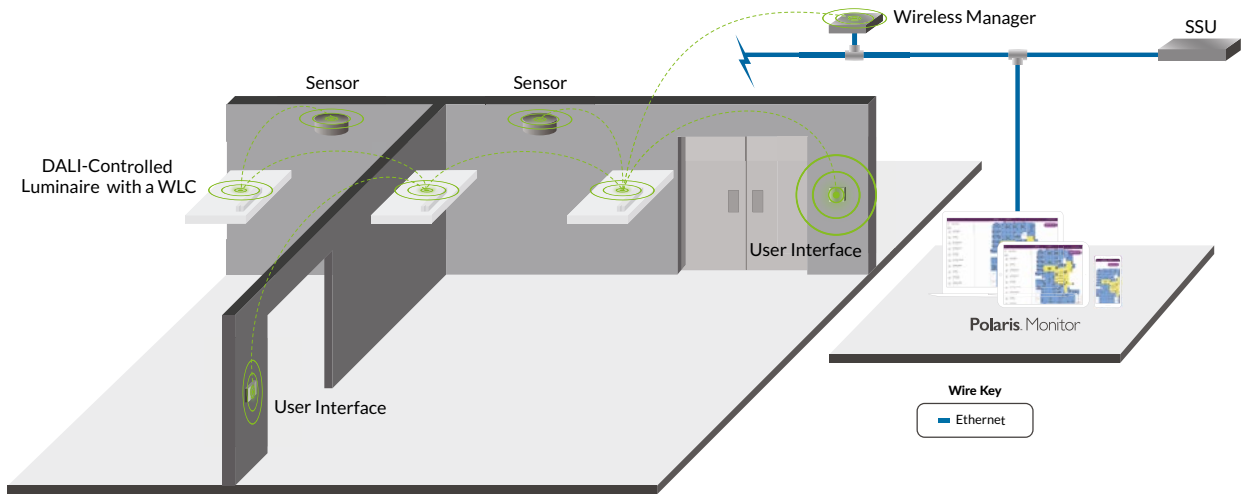
Ordering Information

Ordering Code	Description	Approbations	Communication Network
405289988804	Wireless Luminaire Controller	CE	Wireless
4008321392091	ECO CI KIT	CE	—

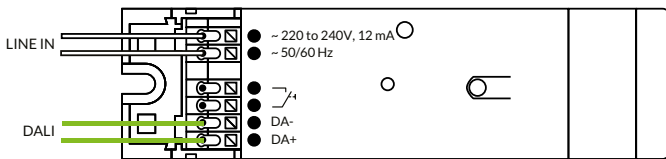
Note: The ECO CI KIT is sold separately and required for independent ceiling mount installations only.

Wireless System Overview

This illustration shows how each component is easily integrated into the Encelium X Lighting Control System.

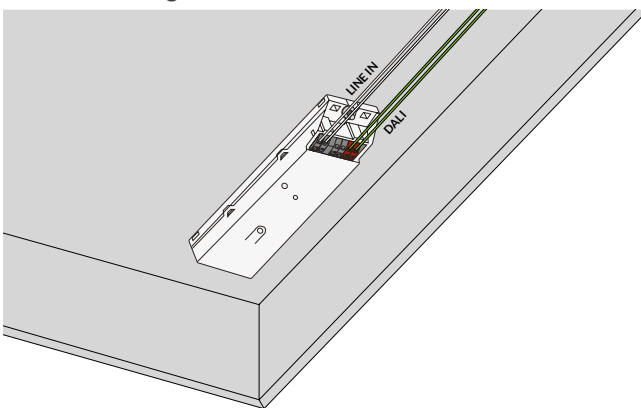


Wiring Diagram

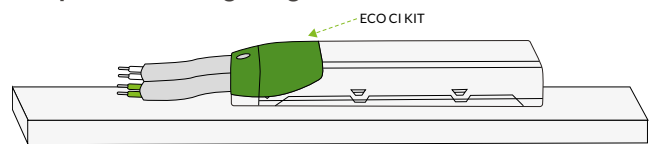


Mounting Options

Luminaire Integration



Independent Ceiling Integration



Copyright © 2022 Digital Lumens, Incorporated. All rights reserved. Digital Lumens, the Digital Lumens logo, We Generate Facility Wellness, SiteWorx, LightRules, Lightelligence, Encelium, the Encelium logo, Polaris, GreenBus and any other trademark, service mark, or tradename (collectively "the Marks") are either trademarks or registered trademarks of Digital Lumens, Inc. in the United States and/or other countries, or remain the property of their respective owners that have granted Digital Lumens, Inc. the right and license to use such Marks and/or are used herein as nominative fair use. Due to continuous improvements and innovations, specifications may change without notice.

LMS232 Rev 1 10-22