

SSU

System Support Unit



The System Support Unit (SSU) is a key component in an Encelium X Networked Light Management System. It hosts the Polaris software giving the Facility Managers and Building Operators ability to monitor and maintain their Encelium system. It enables them to change or modify light settings, schedules and other system settings. A typical building or campus requires one SSU per site.

An Optional SSU Virtual is available for installations that want to utilize an existing network server already on-premises. Specific server and network requirements must be met to enable an SSU Virtual installation. Refer to the SSU Virtual specification sheet for details.

Date: _____

Quantity: _____

Company: _____

Project: _____

Key Features & Benefits

- Enables seamless access for facility managers to monitor, analyze and maintain the system
- Stores historical data relating to system performance like energy savings, occupancy usage
- Allows remote access for support
- Allows the end user to add additional functionality inherently built-in like BACnet® demand response and AV interface
- Stores backup of the system on a regular basis

Specifications

SENSING AND CONTROL

Processor

- Multi-Core Server

PERFORMANCE

Power Consumption

- 1 x 400 W (non-redundant)

ELECTRICAL

Input Ratings

- 110/220V auto-ranging

ENVIRONMENTAL

Operating Temperature

- 50° – 95°F (10° – 35°C)

Operating Humidity

- 10 – 90%, non-condensing
- 82.4°F (28°C) maximum wet build temperature

Operating Vibration

- 3 – 200 Hz at 0.25 G maximum

Operating Shock

- 31 G at 2.6 ms maximum

PHYSICAL

Dimensions (H x W x D)

- 1U Rack with Bezel:
1.69 x 17.64 x 27.56 inch (42.93 x 448.1 x 700 mm)

Weight

- 31.5 lb (14.3 kg)

Mounting Options

- Standard 19 inch (482.6 mm)
- Individual Wall Mount
- Optional 4U Wall Mounted Rack

WARRANTY

- For warranty details, refer to the full warranty documentation at www.encelium.com

CERTIFICATIONS & SAFETY

Approbations

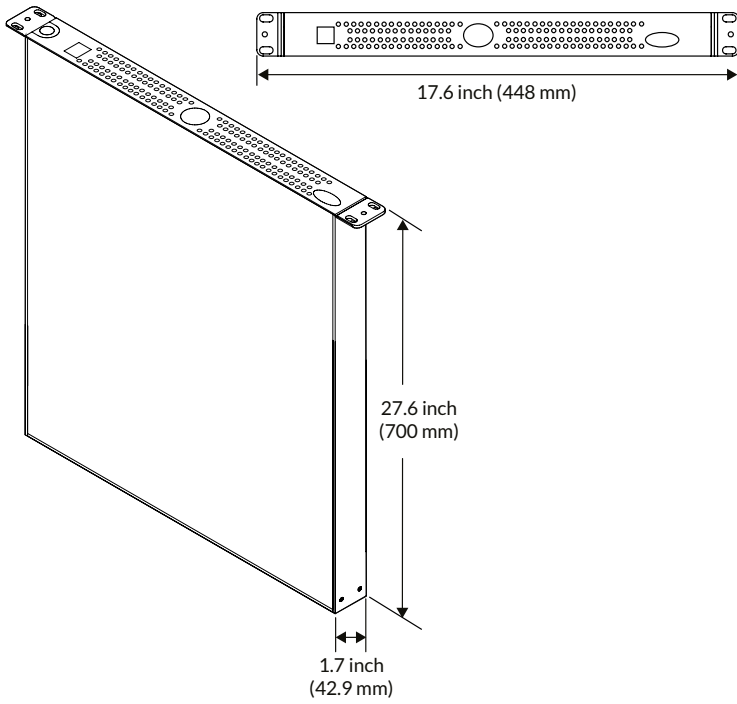
- UL 60950
- FCC (U.S. Only) Class A, DOC (Canada) Class A
- CAN/CSA-C22.2 No. 60950



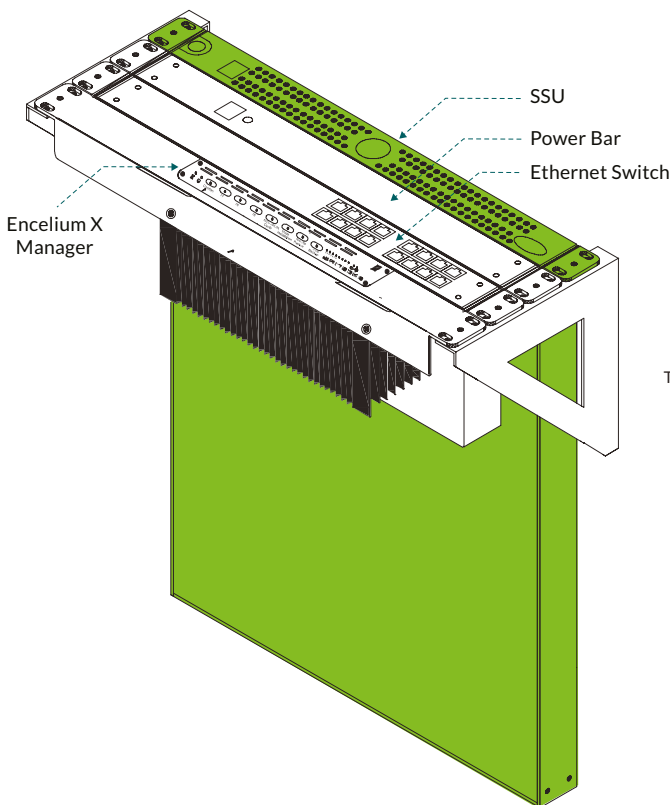
Ordering Information

Item Number	Ordering Code	Description	System Compatibility
56364	EN-SSU-WIN10-X	SSU Database Server	Encelium X
56351	EN-SSU-WIN10	SSU Database Server	Encelium Extend

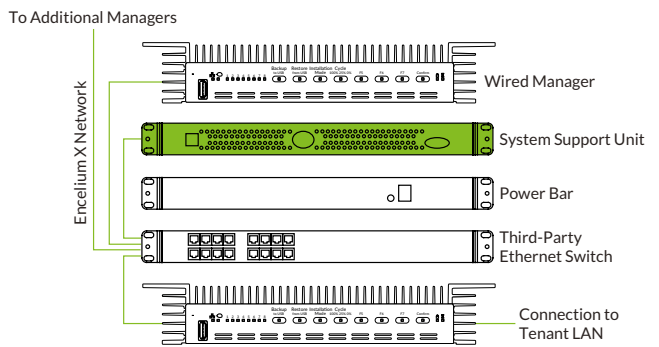
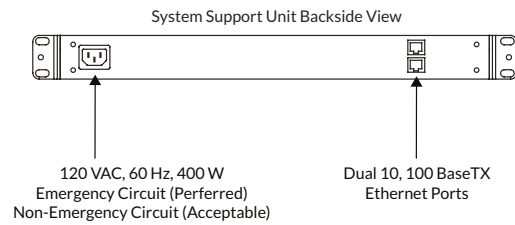
Dimensions



Installation



Typical wall mounting of Manager with System Support Unit, Ethernet Switch, and Power Bar



Encelium X Ethernet connections to Managers, System Support Unit, Ethernet Switch, and Tenant LAN.

