

PRODUCT SAFETY

When using electrical equipment, basic safety precautions should always be followed, including the following:



READ THESE INSTRUCTIONS BEFORE USING THIS PRODUCT.



Do not let power supply cords touch hot surfaces.



Do not mount near gas or electric heaters.



Equipment should be mounted in locations and at heights where it will not readily be subjected to tampering by unauthorized personnel.



The use of accessory equipment is not recommended as it may cause an unsafe condition.



Do not use this equipment for other than the intended use.



SAVE THESE INSTRUCTIONS.

GETTING STARTED

Overview

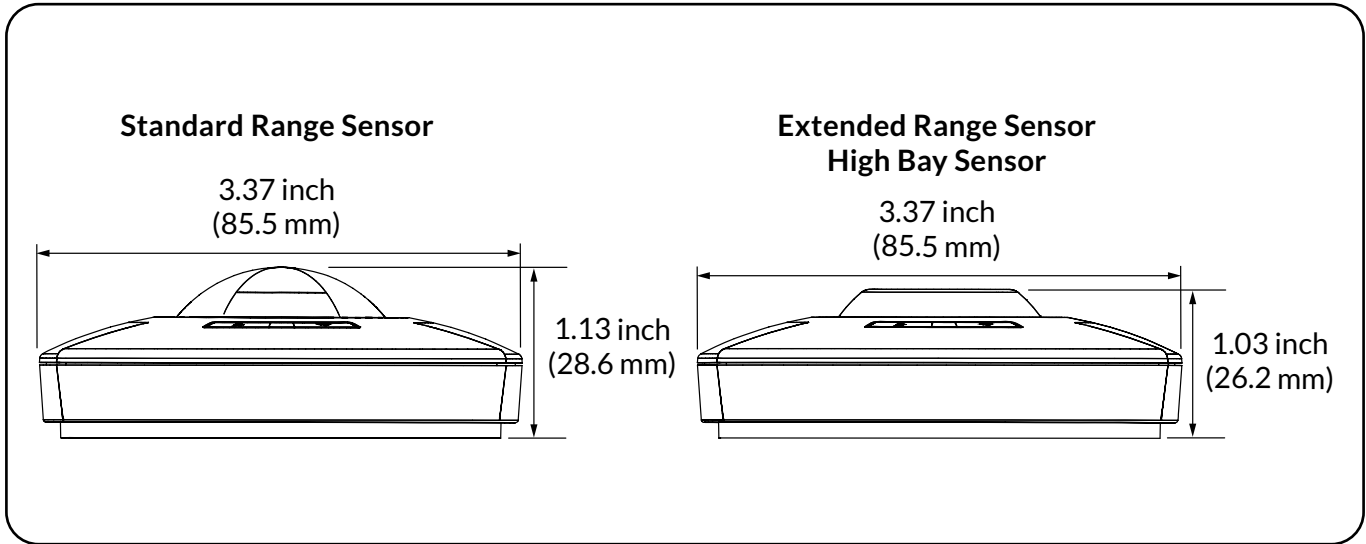
The GreenBus™ Family of ceiling/surface mount sensors collect occupancy and daylight information from a lighted space and works with the Encelium Light Management Systems.

The following model(s) are available:

- EN-SCPPH-0450-GB2 Standard Range
- EN-SCPPH-1500-GB2 Extended Range
- EN-SCPPH-HB-GB2 High Bay

DIMENSIONS AND COVERAGE

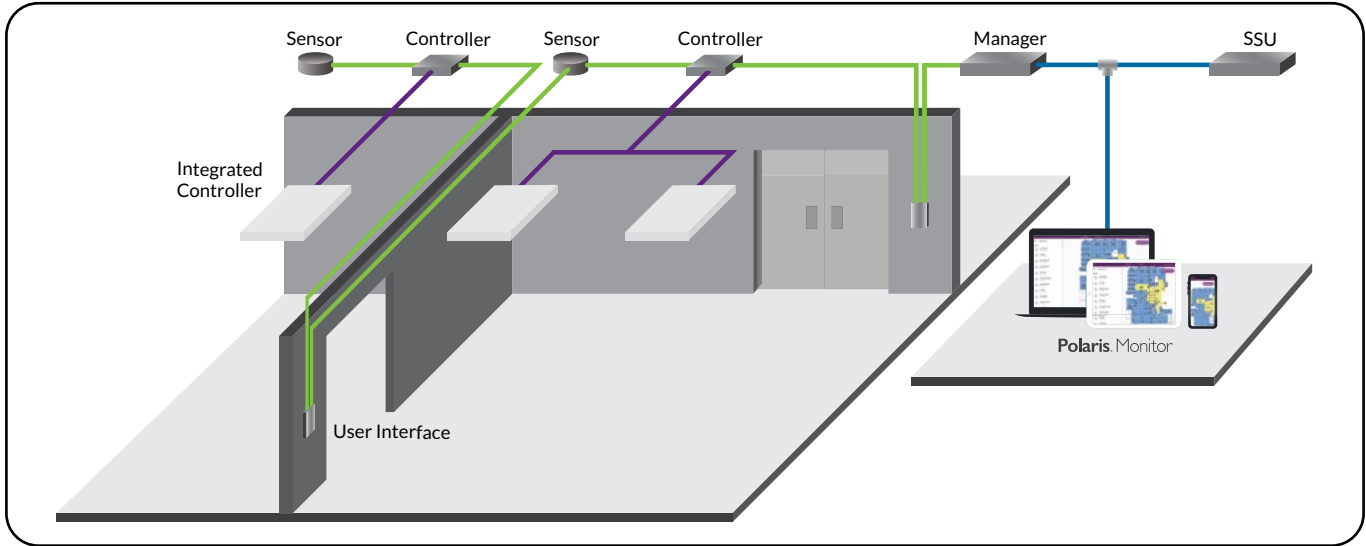
Review GreenBus Sensor dimensional drawings.



Notes: The sensor must be installed in dry, indoor locations ONLY. Do not install the sensor in damp locations. Damp locations are defined as: interior locations subject to moderate degrees of moisture, such as basements, barns, cold-storage warehouses, as well as partially protected locations under canopies, marquees and porches with open roofs. The sensor provides a 360° coverage pattern. It is recommended that the sensor be installed more than 4 feet away from air supply vents.

INSTALLATION OVERVIEW

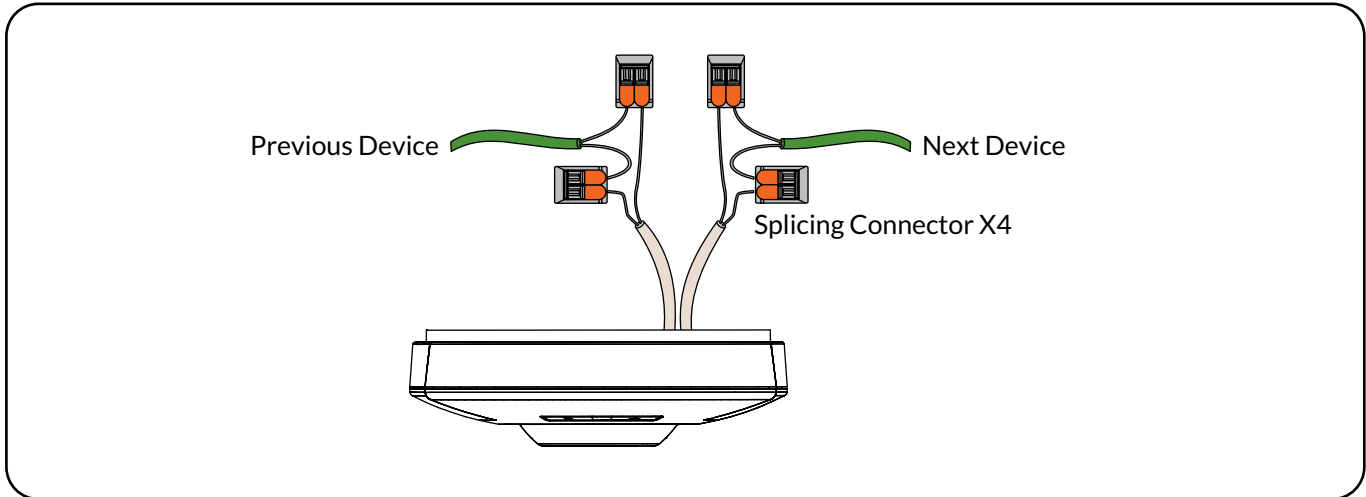
GreenBus is a low-cost, high reliability communication means to report sensor information back to the Encelium X and to obtain optimum brightness settings for light luminaires. The GreenBus wiring originates at an Encelium Manager and propagates in a daisy-chain from module to module (or other compatible equipment).



Note: As the modules obtain power via the GreenBus, the number of modules on each chain is limited. It is suggested to leave room for future system upgrades and to limit the number of modules per chain to 100 units during initial installation.

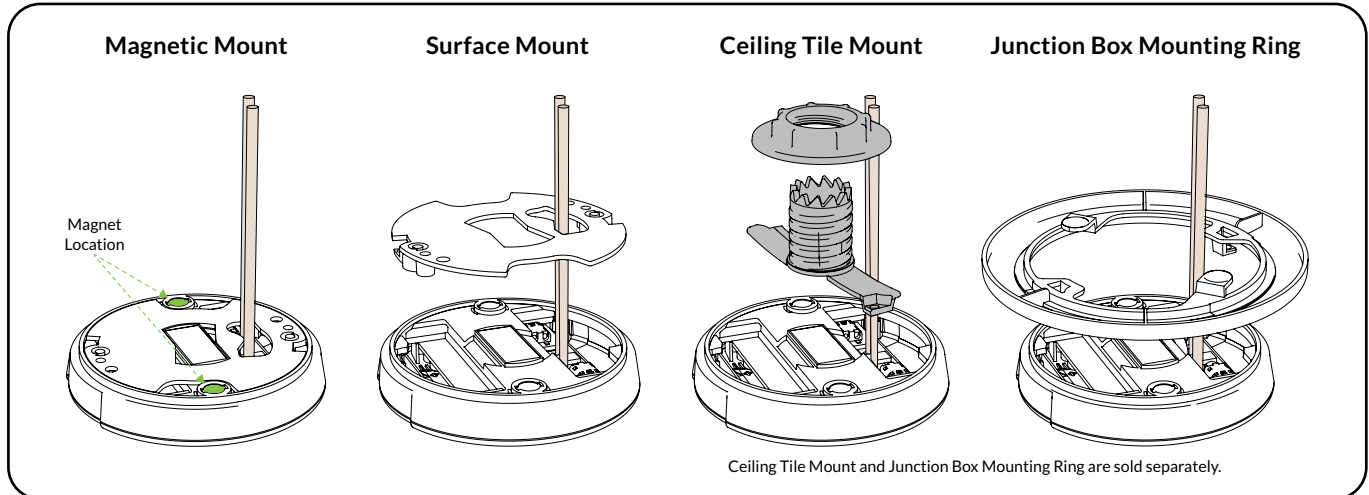
WIRING

Terminal blocks are pre-wired on the wires out of the box and are wired as shown.



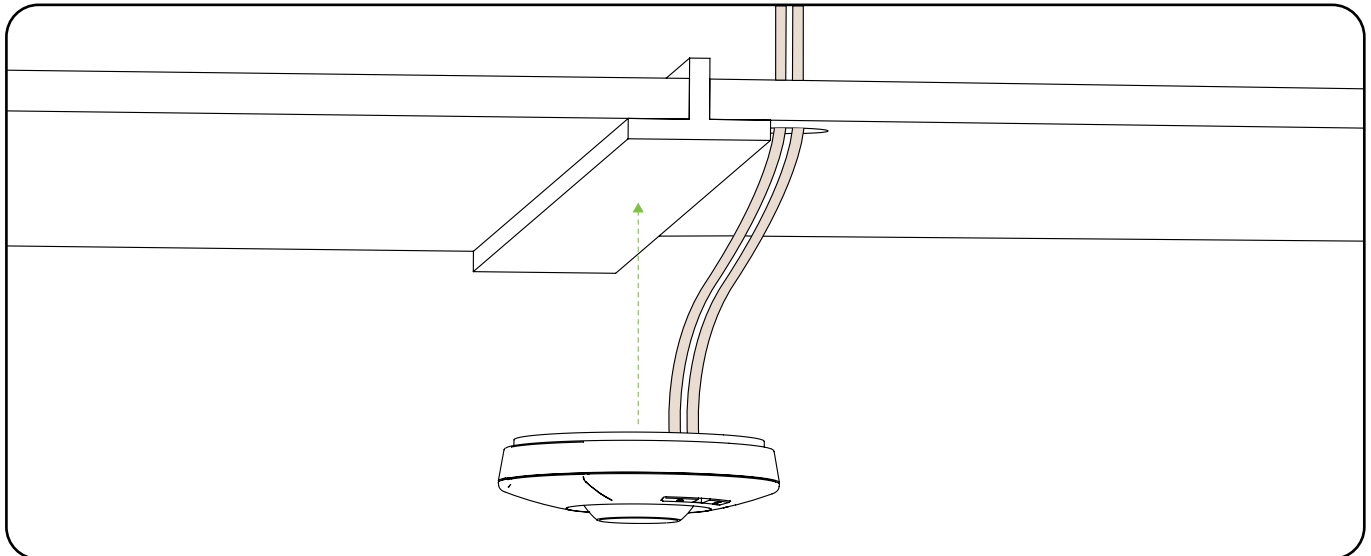
MOUNTING OPTIONS

The sensor can be mounted in a variety of ways depending on the type of ceiling.



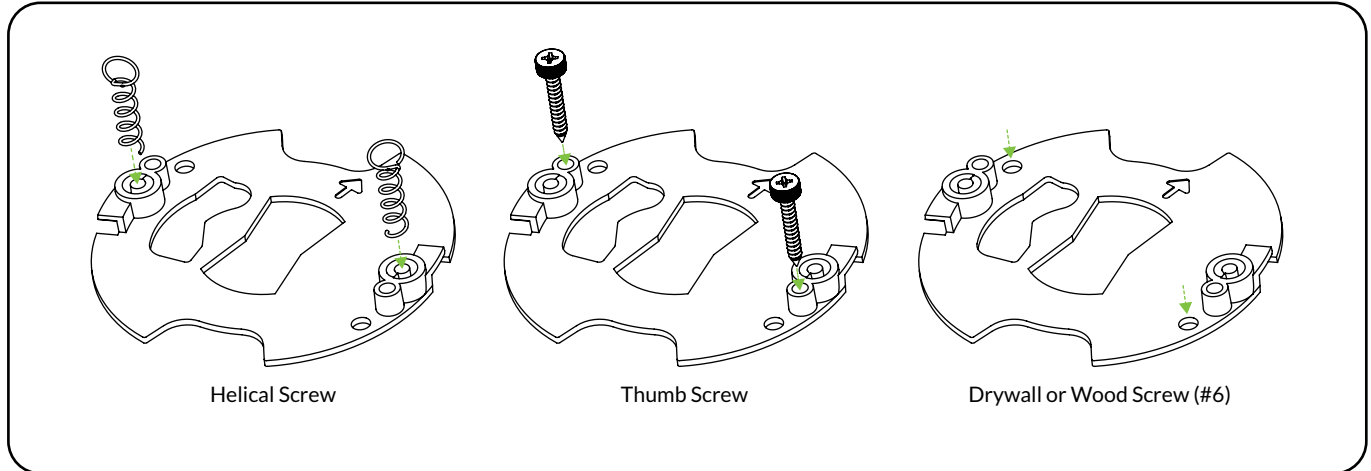
1 Magnetic Mount

Magnets have been incorporated into the sensor allowing the device to be affixed to a metallic ceiling surface (metal plate, drop-ceiling T-bar, etc).

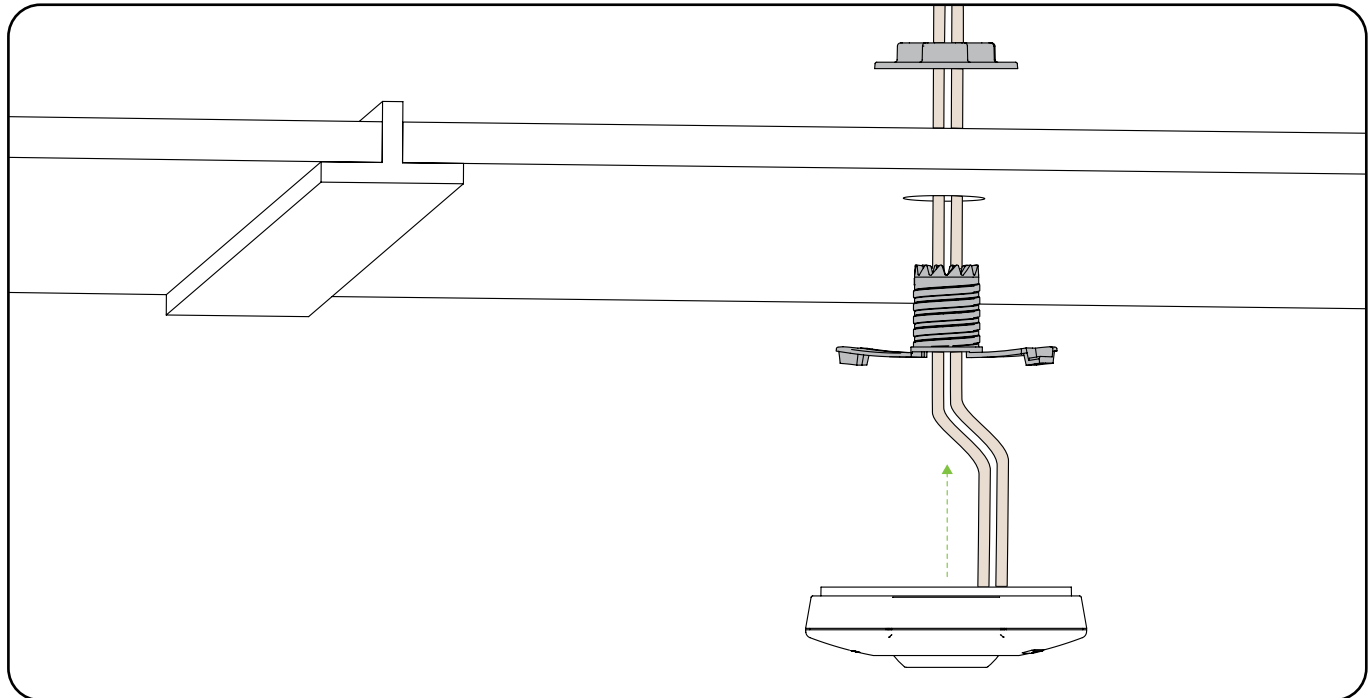


2 Surface Mount

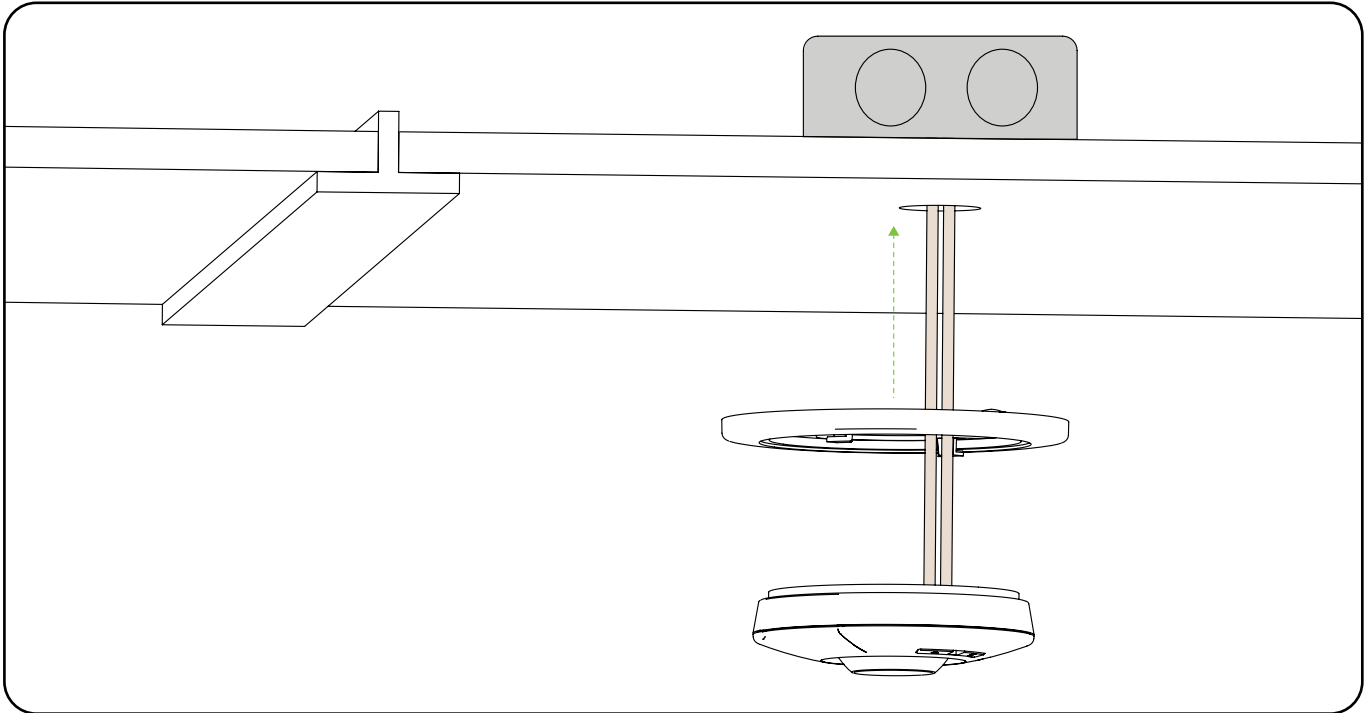
The sensor may be installed directly to a ceiling surface (ceiling tile, drywall ceiling, etc). There are several screw options available to affix the sensor directly to ceiling surfaces.



3 Ceiling Tile Mount

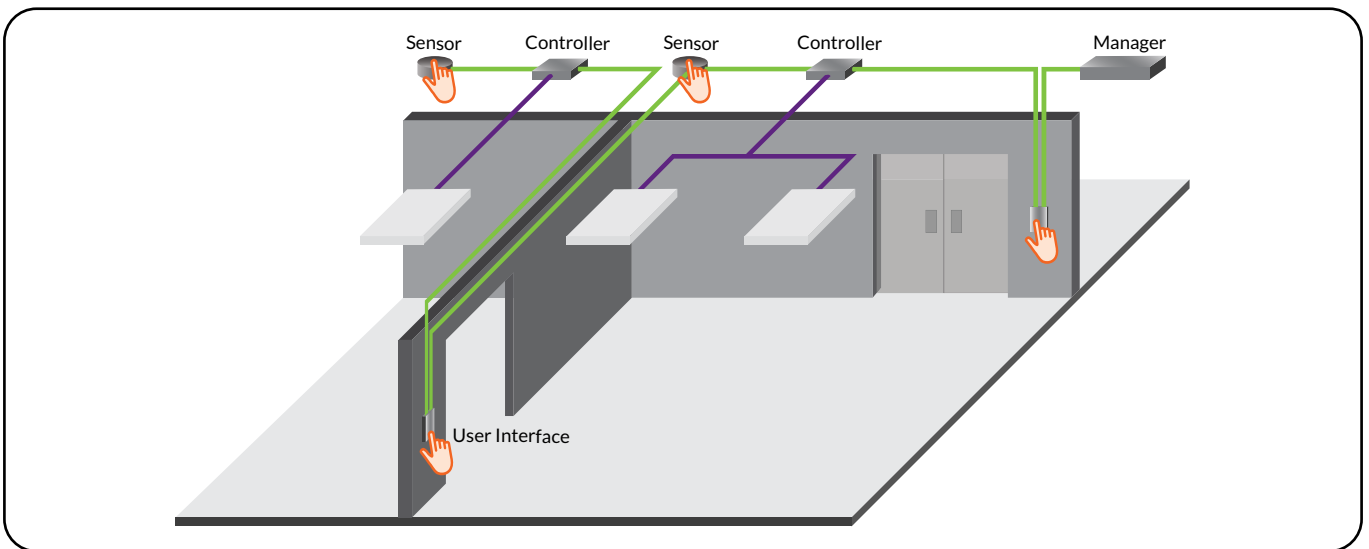


4 Junction Box Mounting Ring



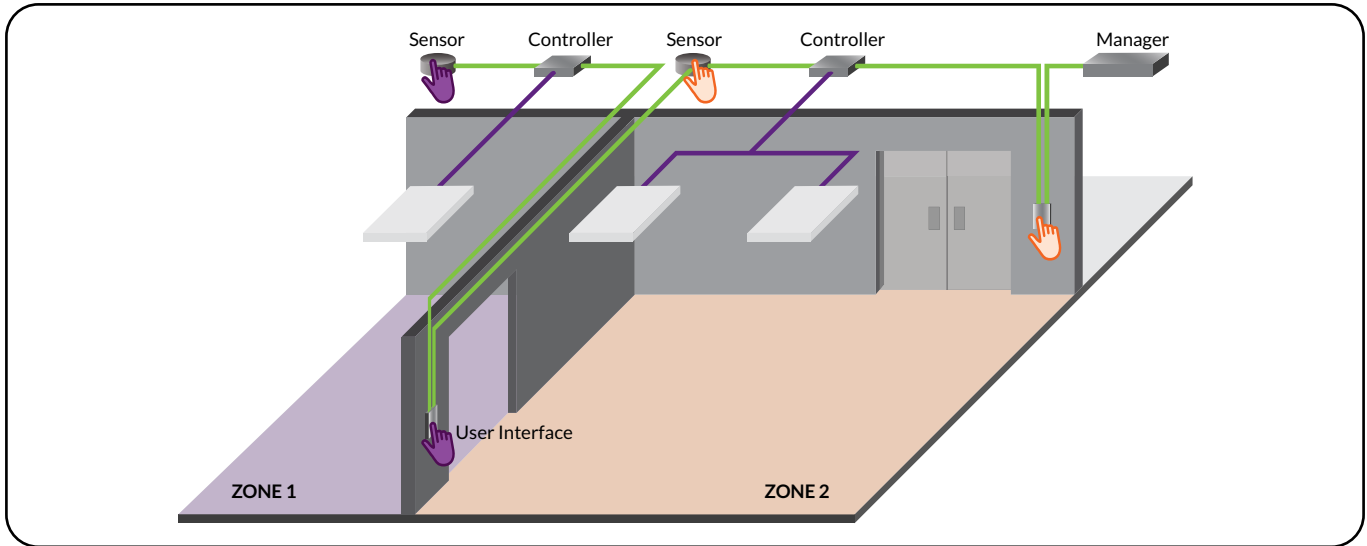
INSTALLATION TESTING

Installer can quickly test if the devices have been wired correctly by pressing any button on the wallstation or the sensor which triggers all the load controllers on the channel to change the dimming level by 25%. Every press will trigger this function to enable testing of the AC line wiring, dimming wiring and communication integrity over the GreenBus lines.



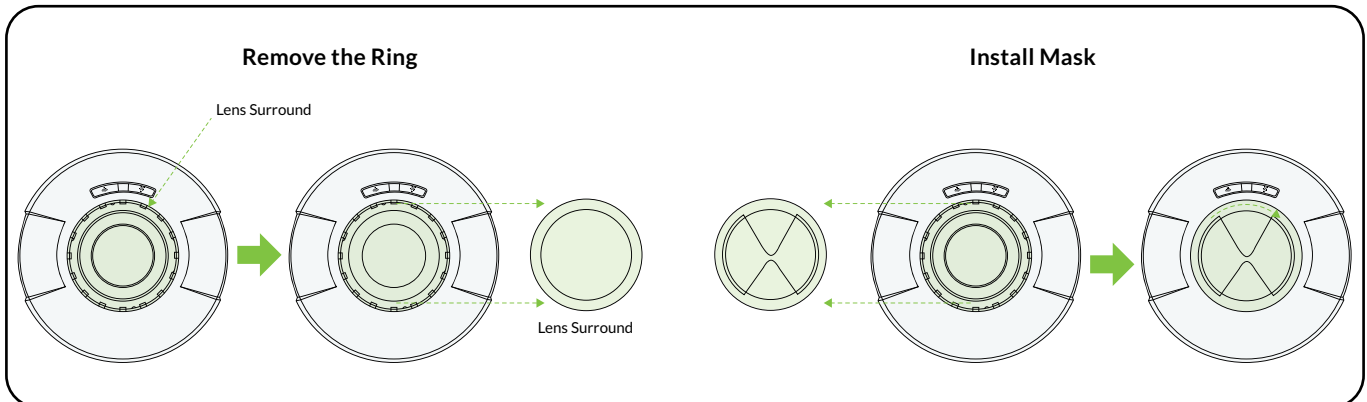
MANUAL PAIRING

Installers can easily pair devices in a room or a zone to gain manual control (on, off and dimming) and occupancy time outs. Holding any buttons on a wallstation or sensor for 10 seconds enters the system in the Manual Pairing mode. The system then guides the user by blinking the load controllers on the GreenBus wiring scheme as a means of identifying and pairing them to the wallstation or sensor.



SENSOR MASK INSTALLATION

- 1 Remove the ring (lens surround) from the sensor assembly. This can be achieved by rotating the ring counter-clockwise.
- 2 Place the supplied mask and rotate clockwise until it latches.



Copyright © 2021 Digital Lumens, Incorporated. All rights reserved. Digital Lumens, the Digital Lumens logo, We Generate Facility Wellness, SiteWorx, LightRules, Lightelligence, Encelium, the Encelium logo, Polaris, GreenBus and any other trademark, service mark, or tradename (collectively "the Marks") are either trademarks or registered trademarks of Digital Lumens, Inc. in the United States and/or other countries, or remain the property of their respective owners that have granted Digital Lumens, Inc. the right and license to use such Marks and/or are used herein as nominative fair use. Due to continuous improvements and innovations, specifications may change without notice.

DOC-000422-00 Rev A 04-21

ENCELIUM

www.encelium.com