

# Wireless Manager

## Encelium X Wireless Manager



The Encelium X Wireless Manager is the central intelligence point in the system for the wireless devices. It collects information from photo sensors, occupancy sensors and wallstations to enable multiple lighting control strategies. It then determines appropriate brightness levels or ON/OFF status for each luminaire and zone.

The Wireless Manager communicates via a mesh network based on Zigbee® standards. Each Manager must be connected to an Ethernet (PoE) Network Switch using standard Cat-5 or greater Ethernet data cabling. Wireless Managers typically control individual floors and are linked via an Ethernet Network back to the lighting control network.

Date: \_\_\_\_\_

Quantity: \_\_\_\_\_

Company: \_\_\_\_\_

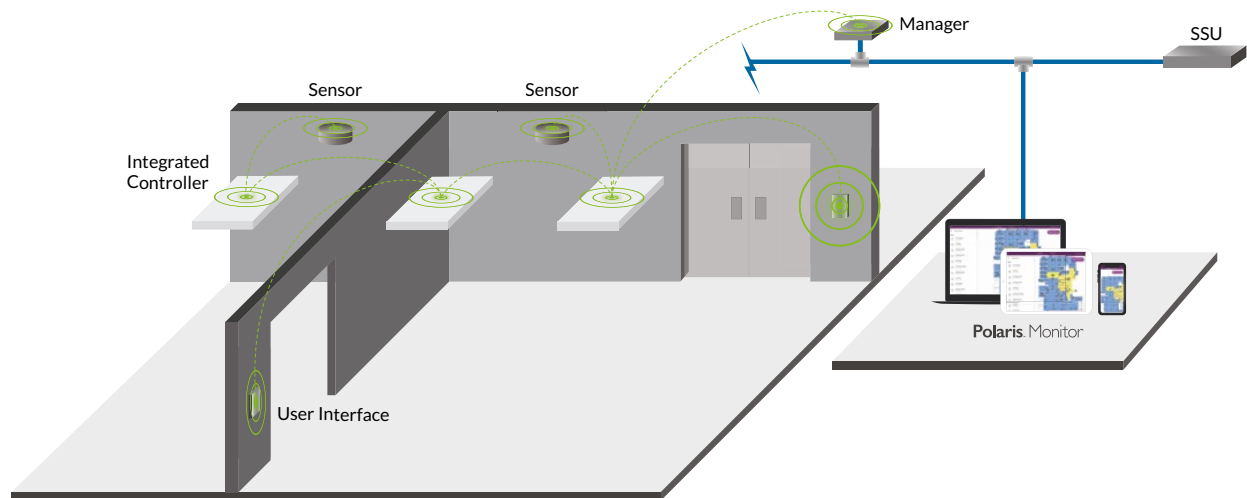
Project: \_\_\_\_\_

### Key Features & Benefits

- Scaling system down for smaller applications
- Can be combined with the Wired Manager for a hybrid wired and wireless solution
- Sleek design provides non-obtrusive placement on ceilings or walls
- Ceiling or wall mounted
- Simple connection by Power-over-Ethernet (PoE)
- Dual PoE ports allow daisy-chaining Wireless Managers

## Wireless System Overview

This illustration shows how each component is easily integrated into the Encelium X Networked Light Management System.



## Specifications

### SENSING AND CONTROL

#### Wireless Range

- 100 ft (30.5 m) line of sight
- 50 ft (15.2 m) through standard walls

#### Wireless Network Port

- Ethernet 1-/100BaseTx Cat-5 RJ45 port

#### Configuration

- Stored in non-volatile flash memory

#### PoE Port

- Dual PoE ports for daisy-chain of up to 3 Wireless Managers

#### Communication Status

- LED<sup>1</sup>

#### Wireless Communication

- AES 128-bit encryption

#### Software

- Polaris™

### ENVIRONMENTAL

#### Operating Temperature

- 32° – 104°F (0° – 40°C)

### PHYSICAL

#### Dimensions (H x W x D)

- 4.63 x 2.81 X 0.78 inch (117.6 x 71.37 X 19.81 mm)

#### Weight

- 1.4 oz (40 g)

#### Mounting Options

- Ceiling Mount
- Wall Mount

### WARRANTY

- For warranty details, refer to the full warranty documentation at [www.encelium.com](http://www.encelium.com)

### CERTIFICATIONS & SAFETY

#### Approbations

- UL/cUL Listed, Energy Management Equipment (UL 916)
- FCC Part 15/ICES-003, Class A

#### Complies with Electromagnetic Compatibility (EMC) Standards:

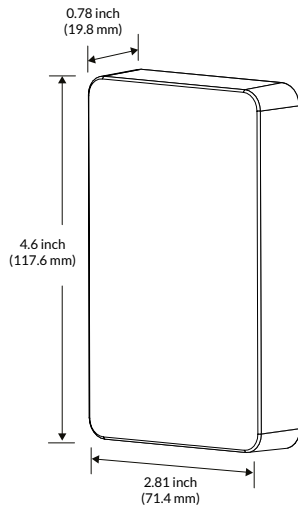
- EN 61000-4-2
- EN 61000-4-4
- EN 61000-4-5



## Ordering Information

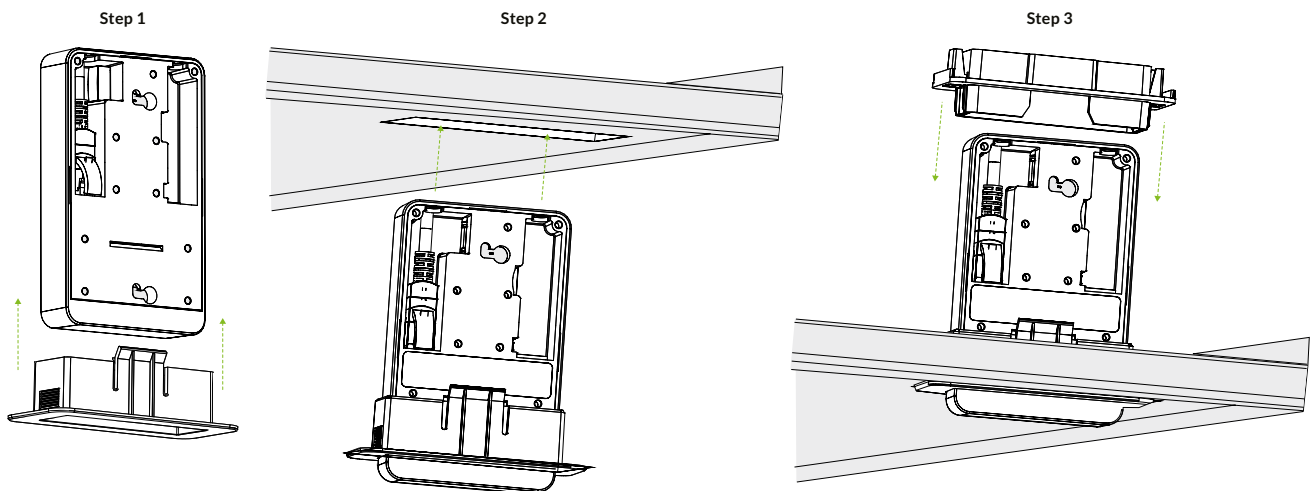
Item Number	Ordering Code	Description	Communication Network	System Compatibility
56366	EN-WM-ZB-X	Wireless Manager	Zigbee Wireless	Encelium X
45569	EN-WM-ZB-P3D	Wireless Manager	Zigbee Wireless	Encelium Extend

## Dimensions



## Installation Diagrams

### Ceiling Mount



#### Footnotes:

- <sup>1</sup> LEDs located on front of unit.

## Installation Diagrams (cont.)

### Wall Mount

