

WSLC

Wireless Site Lighting Control

Date: _____

Quantity: _____

Company: _____

Project: _____



The Wireless Site Lighting Control Module extends the Encelium X Light Management System's controls capability to a building's surroundings or sites such as parking lots and short pathways, via a wireless mesh network based on Zigbee® standards. The WSLC installs on top of a light pole via an ANSI C136.41 compliant 3-, 5-, or 7-pin twist-lock connector.

The WSLC is individually addressable via the Encelium X Wireless Manager and can switch luminaires ON/OFF via an integrated high current relay, dim luminaires equipped with 0-10V dimming drivers or ballasts, DEXAL or DALI dimming drivers or ballasts, and has an input for an external occupancy sensor.

This product may qualify for commercial lighting rebates on new construction or retrofit projects. Learn more about commercial lighting incentives and rebates.

Key Features & Benefits

- Wireless control with up to 10A switching
- Compatible with 0-10V, DALI or DEXAL drivers for ON/OFF and dimming control
- Sleek low-profile, provides autonomous operation via photocell with Input for external occupancy sensor
- With Polaris™ software you can control time scheduling, astronomical clock operation, daylight harvesting, partial OFF states, occupancy mode, all with energy reporting and metering
- Works with:
 - Encelium X
 - Encelium Extend

Specifications

SENSING AND CONTROL

Communication

- Zigbee wireless protocol
- 2.4 GHz radio frequency
- 20 dBm transmit power
- Up to 1,000 ft (300 m) line of sight between modules

Interface

- Single dimming output that is 0-10V (IEC 60929 Annex E), DALI or DEXAL compatible
- Sink/source 10 mA
- Maximum 20 mA, minimum 18V, nominal 19.5V sensor input

Polaris™ Software

- Actual readings of current and voltage used to depict consumption and energy savings

ELECTRICAL

Operating Voltage

- 120 – 347 V

Power Consumption

- <1.0 W at no load

Loading Rate

- 1.0A – Electronic driver/ballast, magnetic ballast, resistive load

Surge Protection

- 6 kV, 3 kA

Power Metering (V, I, P, Energy)

- Accuracy is <2% from 0.5A to 10A load
- Accuracy is <5% below 0.5A

ENVIRONMENTAL

Operating Temperature

- -40° – 150°F (-40° – 65°C)

Relative Humidity

- 0% – 95%

Environmental Suitability

- IP66

PHYSICAL

Base Diameter

- 3.31 inch (84 mm)

Height

- 2.61 inch (66.4 mm)

Weight

- 3.31 lbs (200 g)

Color

- Black

Housing

- UV stabilized PC

WARRANTY

- For warranty details, refer to the full warranty documentation at www.encelium.com

CERTIFICATIONS & SAFETY

Approbations

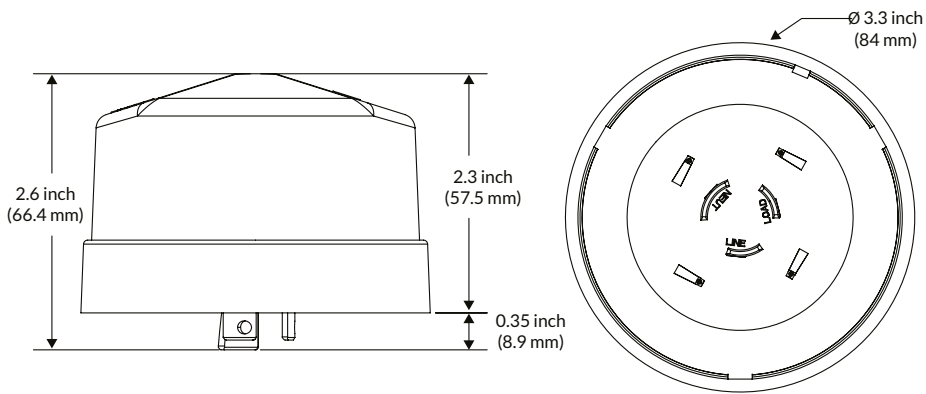
- UL916/773 cUL US Listed
- Meets ASHRAE Standard 90.1 and CEC Title 24 requirements
- FCC Part 15/ICES-003



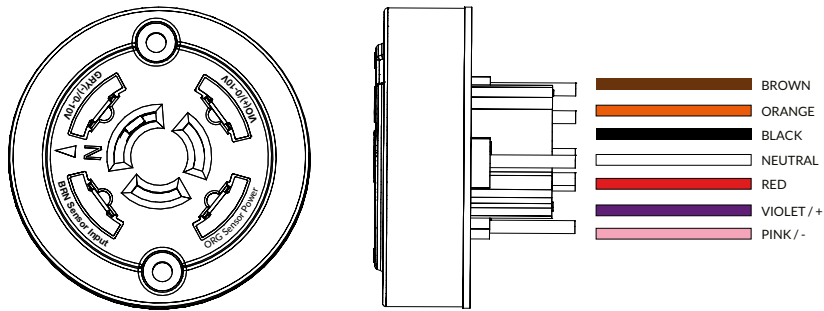
Ordering Information

Item Number	Ordering Code	Description	Communication Network
56303	EN-OC-SLC-ZB	Wireless Site Lighting Control	Onboard photo sensor and input for external sensor

Dimensions



Wiring Diagrams



Wiring Information

Wire Color	Function
Brown	Sensor Input
Orange	Sensor Power Supply
Black	Line In
White	Neutral
Red	AC to Driver
Violet	Control to Driver +
Gray	Control to Driver -

Installation

Place the WSLC firmly into the ANSI C136.41 compliant 7-pin twist-lock receptacle and twist it clockwise (install arrow) until it locks in place.

